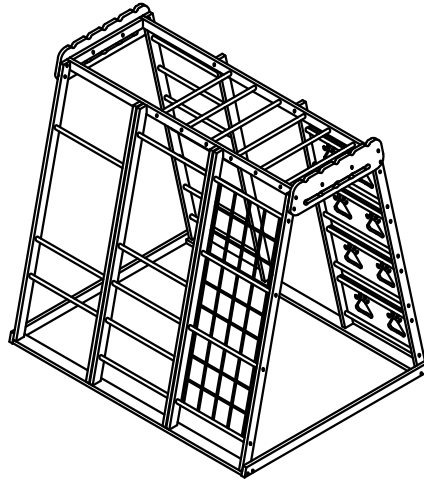


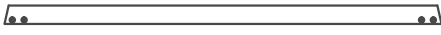
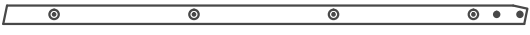
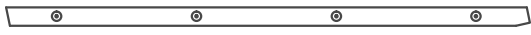


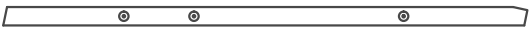
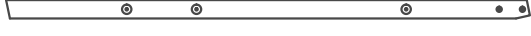








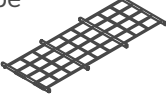


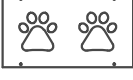





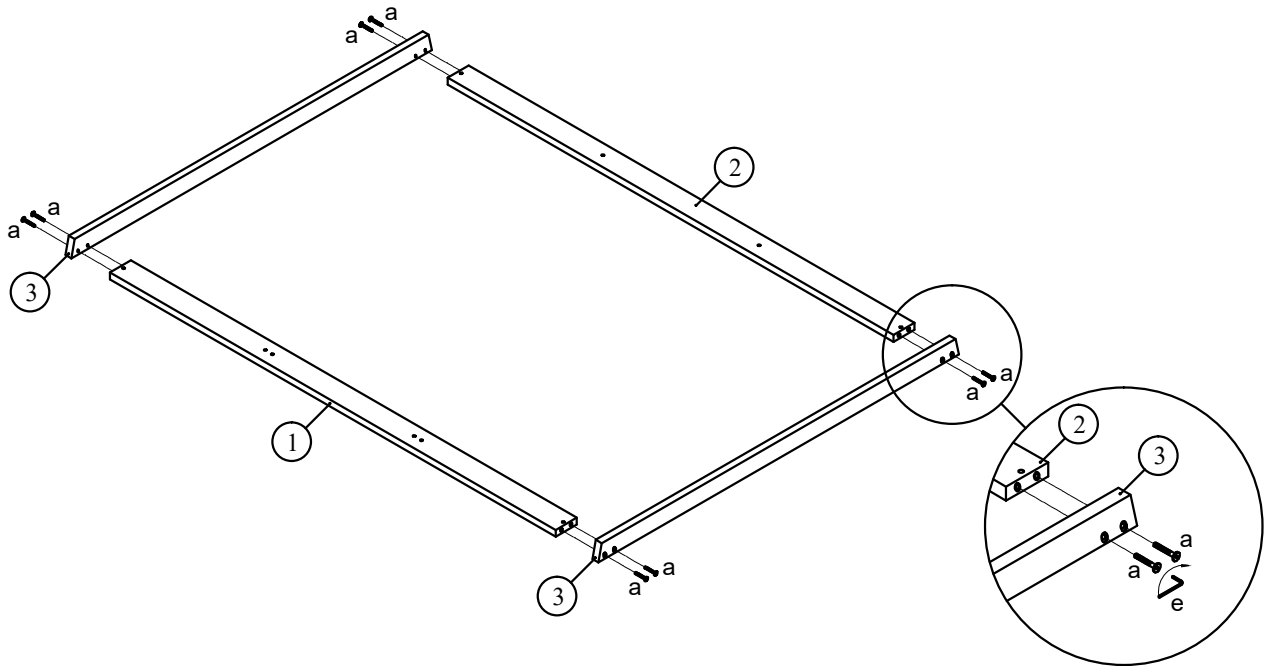


# Scandinavian complex "Kitty"



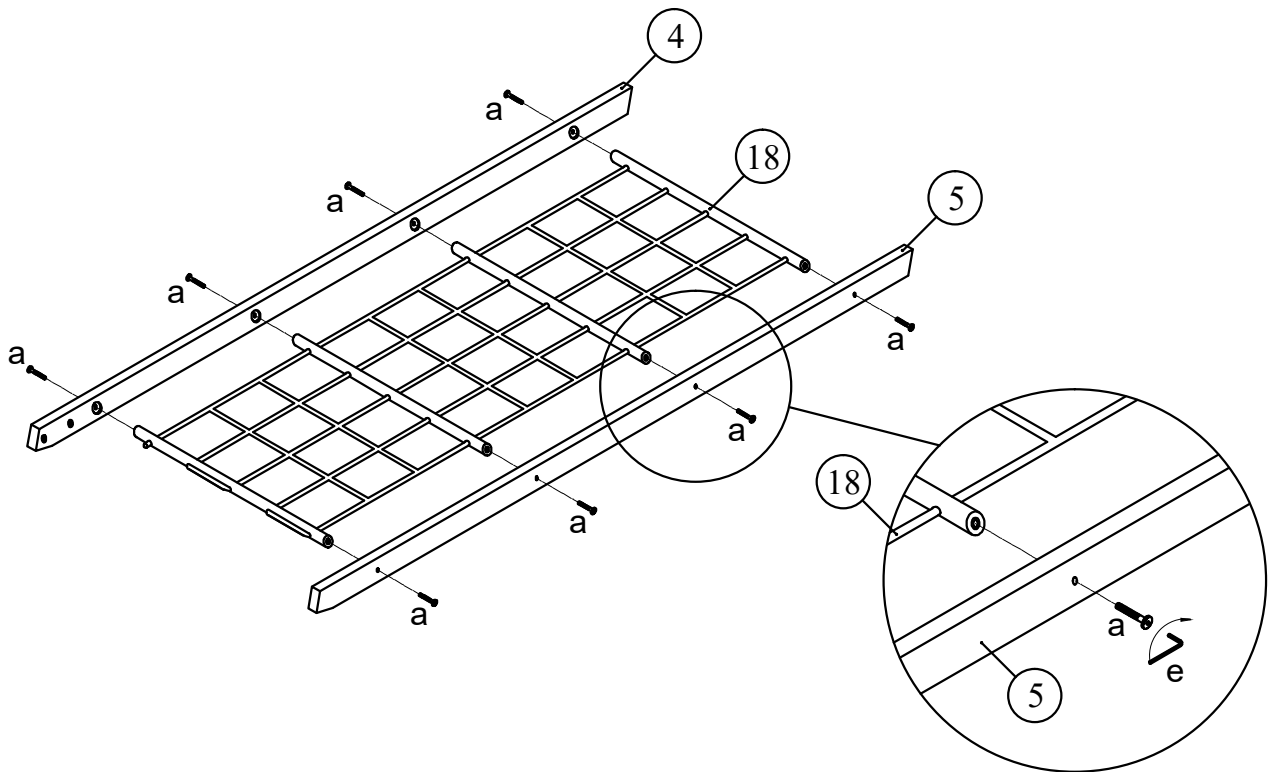
## ASSEMBLY DETAILS

1 - 1484*70*20 Front base  1 pc.		2 - 1484*70*20 Back base  1 pc.		
3 - 1200*50*20 Side Base  2 pcs.		4 - 1440*50*20 Rope ladder side 1  1 pc.		
5 - 1440*50*20 Rope ladder side 2  1 pc.		6 - 1440*50*20 Ladder with 5 steps side 1  1 pc.		
7 - 1440*50*20 Ladder with 5 steps side 2  1 pc.		8 - 1440*50*20 Ladder with 3 steps side 1  1 pc.		
9 - 1440*50*20 Ladder with 3 steps side 2  1 pc.		10 - 1440*50*20 Ladder with 7 steps side 1  1 pc.		
11 - 1440*50*20 Ladder with 7 steps side 2  1 pc.		12 - 1440*50*20 Plywood Ladder side 1  1 pc.		
13 - 1440*50*20 Plywood Ladder side 2  1 pc.		14 - 1484*50*20 Upper Ladder side 1  1 pc.		
15 - 1484*50*20 Upper ladder side 2  1 pc.		16 - 452*50*20 Upper ladder lintel  2 pcs.	17 - Sidewall  2 pcs.	
18 - Rope ladder  1 pc.	19 - Long nog  21 pcs.	20 - Long nog with holes  8 pcs.	21 - Plywood  4 pcs.	
a - Flat head 35 mm screw  94 pcs. + 5 pcs. spare	b - Flat head 30 mm screw  12 pcs. + 2 pcs. spare	c - Flat head 17 mm dull nut  12 pcs. + 2 pcs. spare	d - Screw 30 mm  16 pcs. + 2 pcs. spare	e - 4 mm hex key  2 pcs.



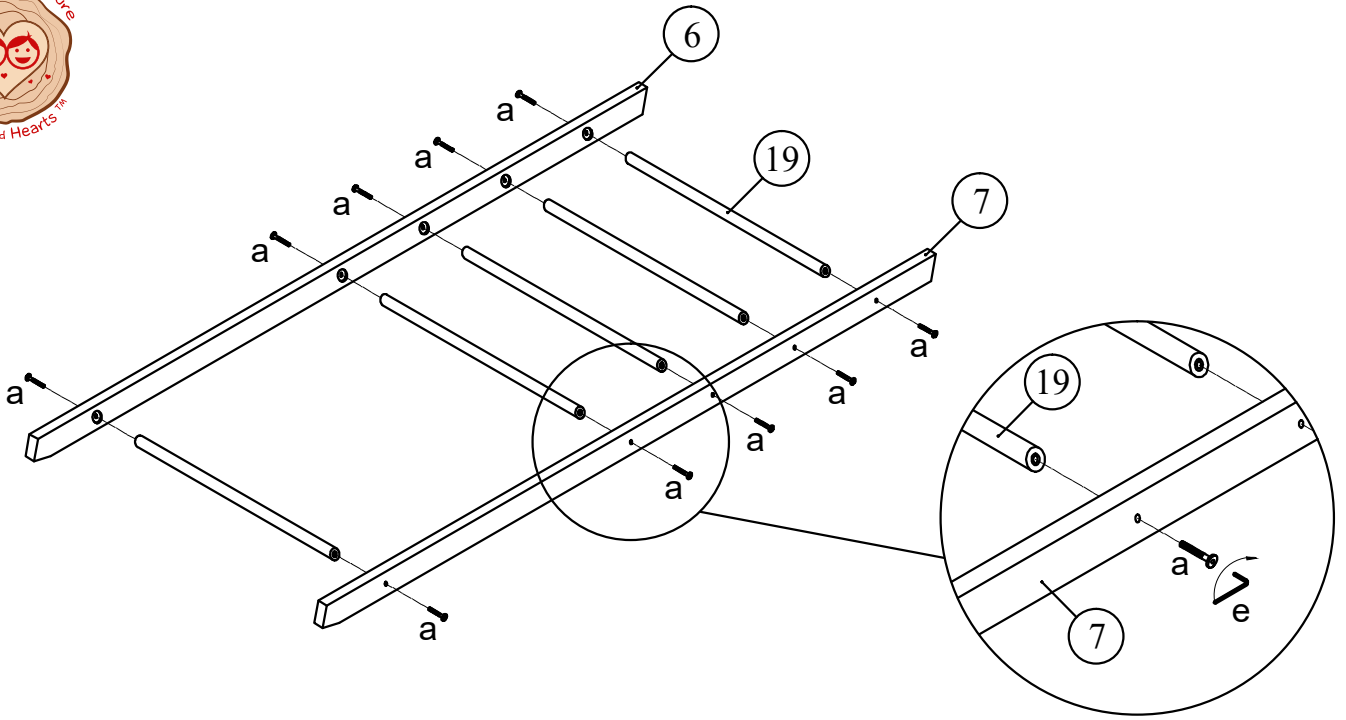
*Pic. 1*

Lay the Bases (1) and (2) on the floor as shown in the Pic. 1. Mark the position of holes in the middle. Round grooves in the Side bases (3) should look outside. Screw the parts (1), (2) and (3) with screws (a), using hex key (e).



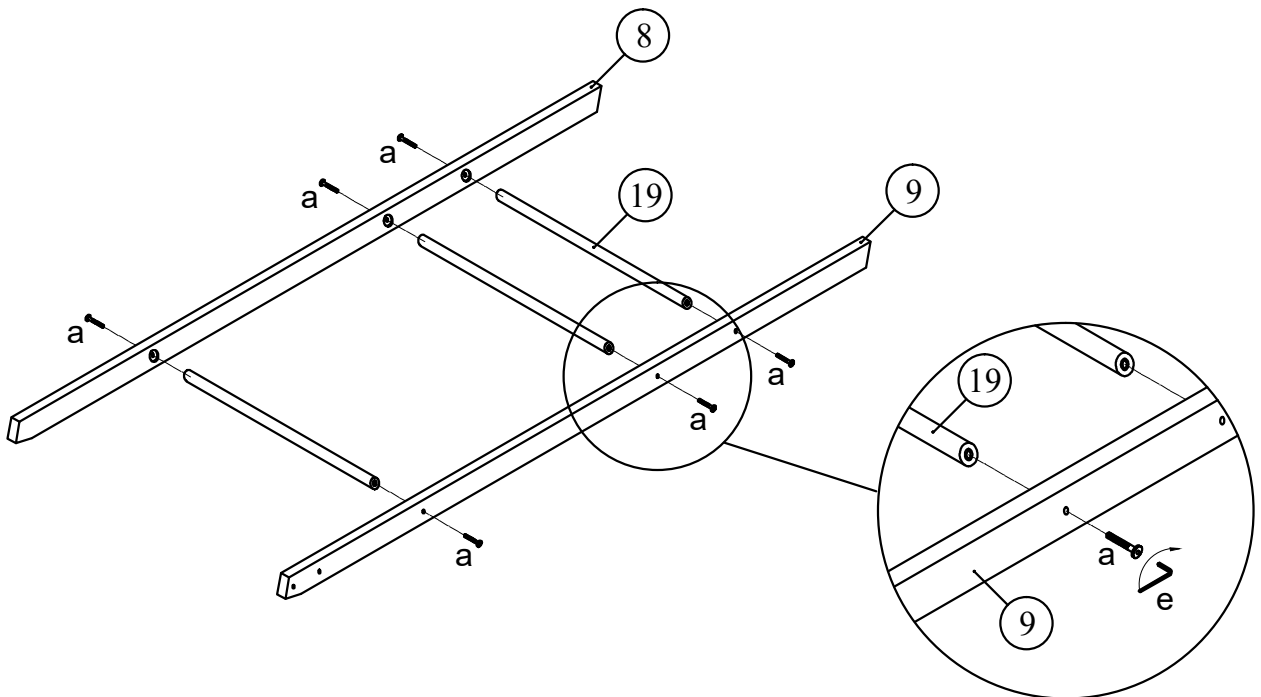
*Pic. 2*

Assemble the Rope Ladder with 4 steps as shown in the Pic. 2. Take the sides of the Ladder (4, 5) and rope ladder (18). Screw parts together using screws (a) and hex key (e).



*Pic. 3*

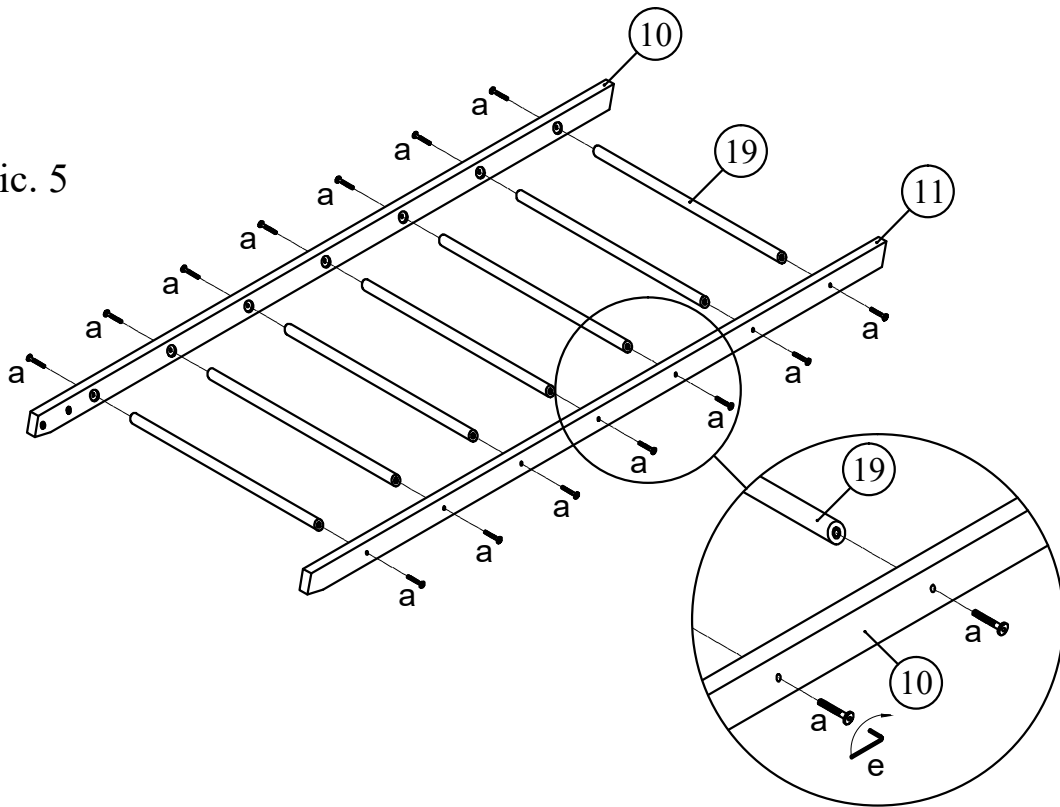
Assemble the Ladder with 5 steps as shown in the Pic. 3. Take the sides of the Ladder (6, 7) and 5 long nogs (19). Screw the parts together with screws (a), using hex key (e).



*Pic. 4*

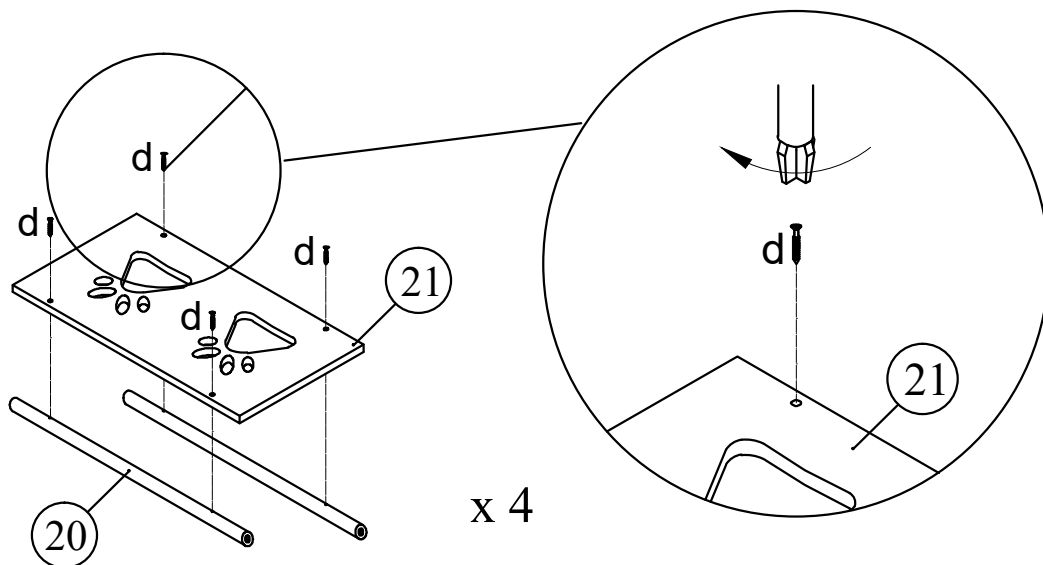
Assemble the Ladder with 3 steps as shown in the Pic. 4. Take the sides of the Ladder (8, 9) and 3 long nogs (19). Screw the parts together with screws (a), using hex key (e).

Pic. 5



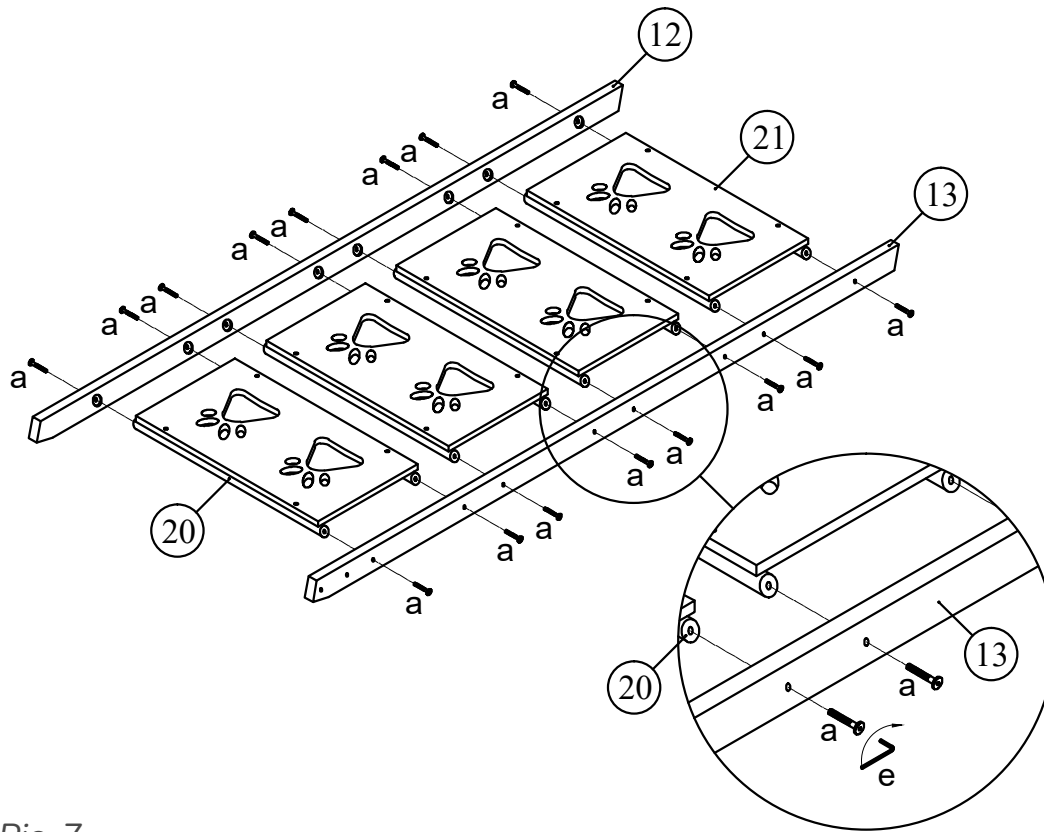
Pic. 5

Assemble the Ladder with 7 steps as shown in the Pic. 5. Take the sides of the Ladder (10, 11) and 7 long nogs (19). Screw the parts together with screws (a), using hex key (e).



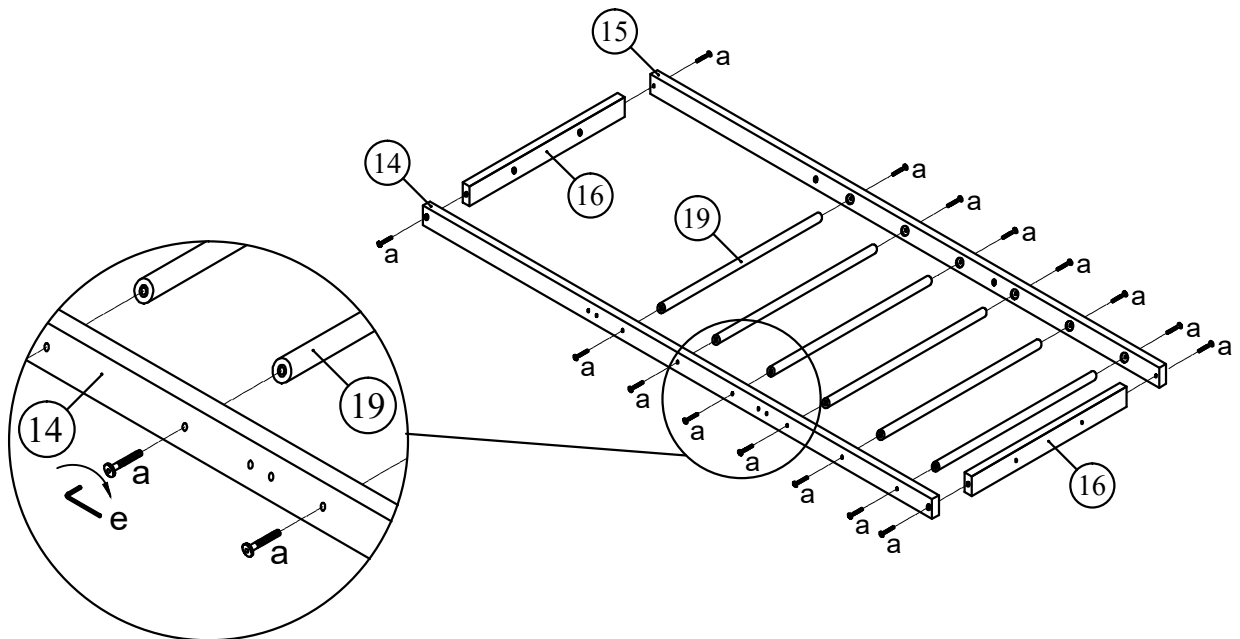
Pic. 6

Screw nogs with holes (20) and plywood (21) with screws (d) using a screwdriver as shown in the Pic. 6



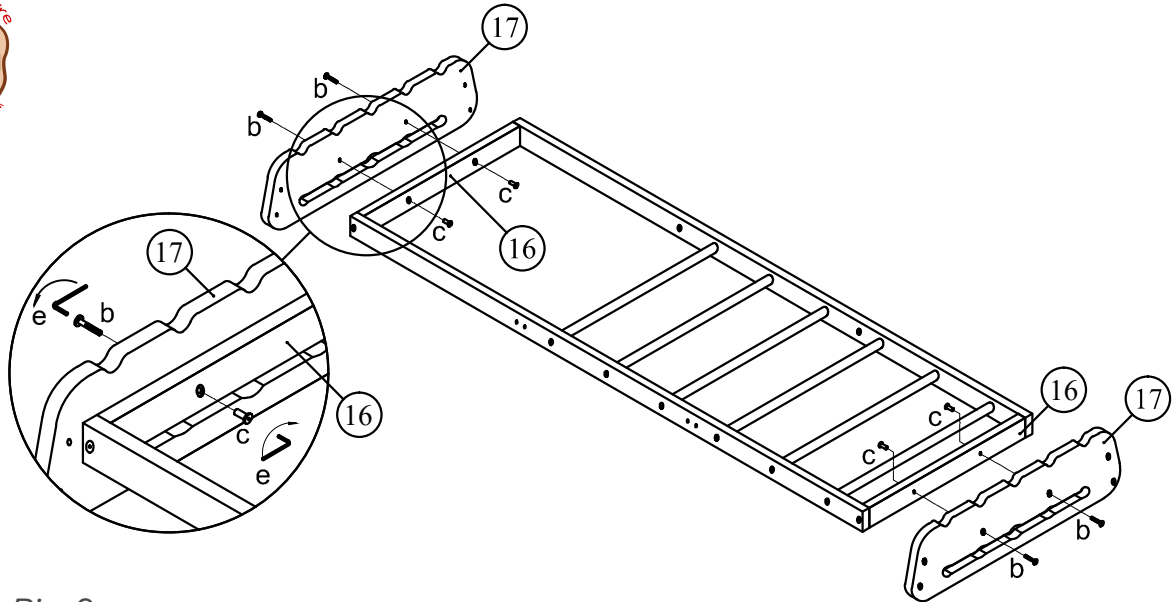
Pic. 7

Assemble the Plywood ladder as shown in the Pic. 7. Take the sides of the Ladder (12, 13) and plywood with long nogs. Screw the parts together with screws (a), using hex key (e).



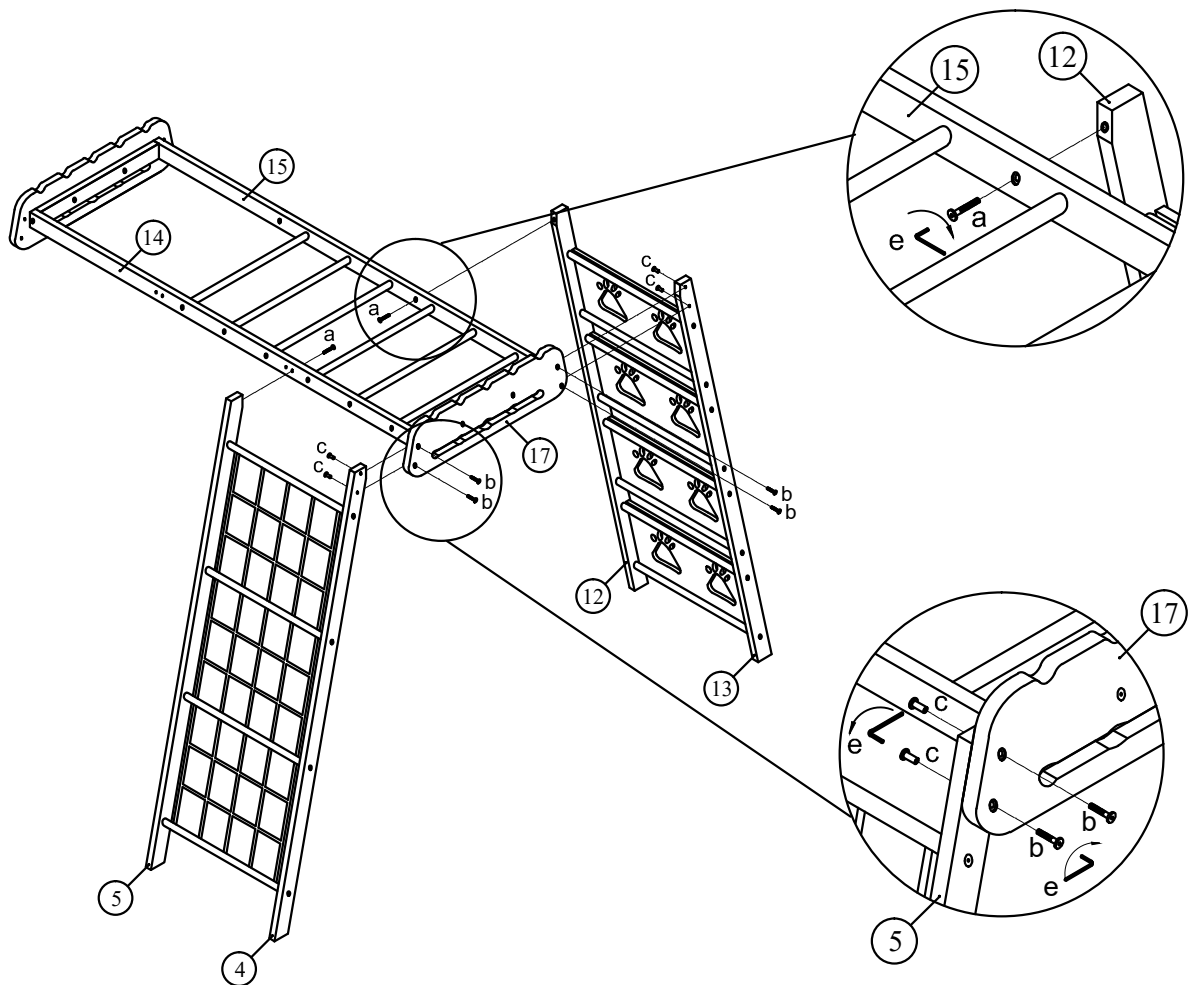
Pic. 8

Assemble the Upper ladder. Start with Upper ladder side (14), and both Upper ladder lintels (16), Sidewalls and 6 long nogs (19). Please note the position of the holes with round grooves on the sides of the ladder - they should look inside. See Pic. 8. Connect the Lintels (16), nogs (19) to Upper ladder side (15) with screws (a) using hex key (e).



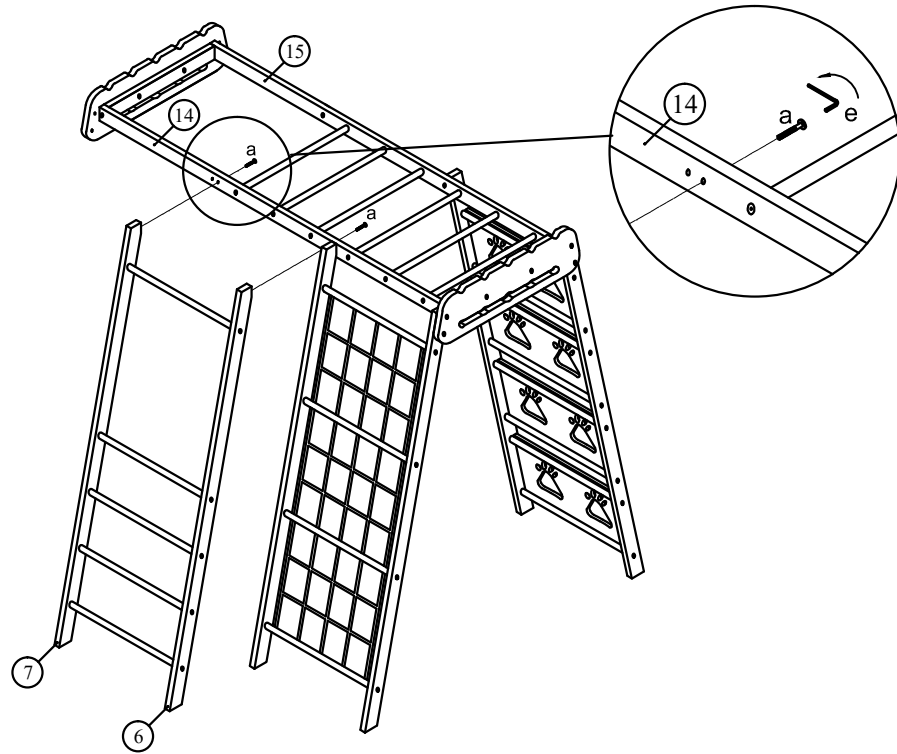
Pic. 9

Connect the Sidewalls (17) to Lintels (16) using screws (b), nuts (c) and both hex keys (e) as shown in the Pic. 9.



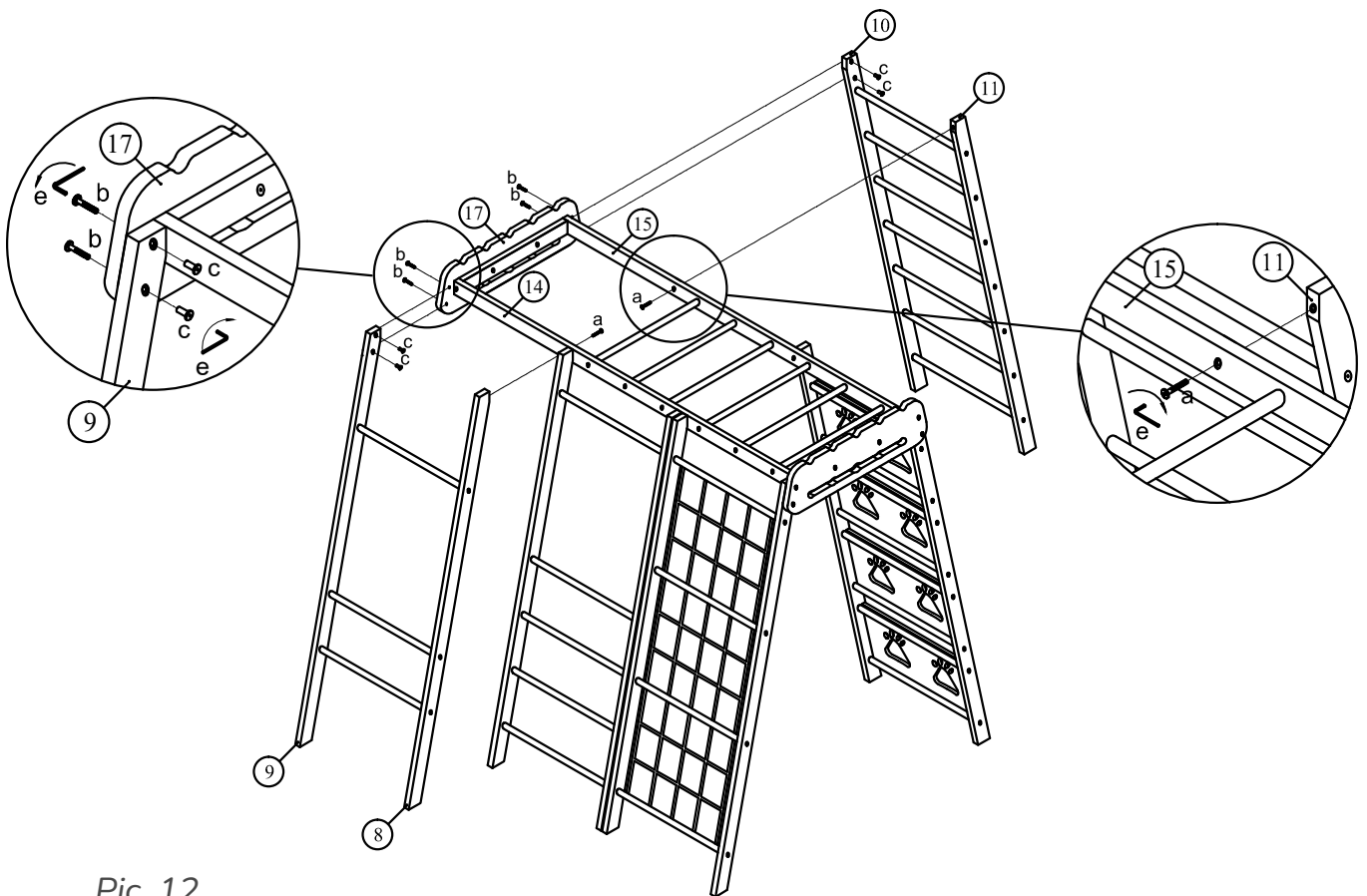
Pic. 10

Assemble the Rope Ladder and Plywood Ladder with Sidewall (17) using screws (b), nuts (c) and both hex keys (e). Screw the Rope Ladder and Plywood Ladder with Upper Ladder with screws (a), using hex key (e). See Pic. 10.



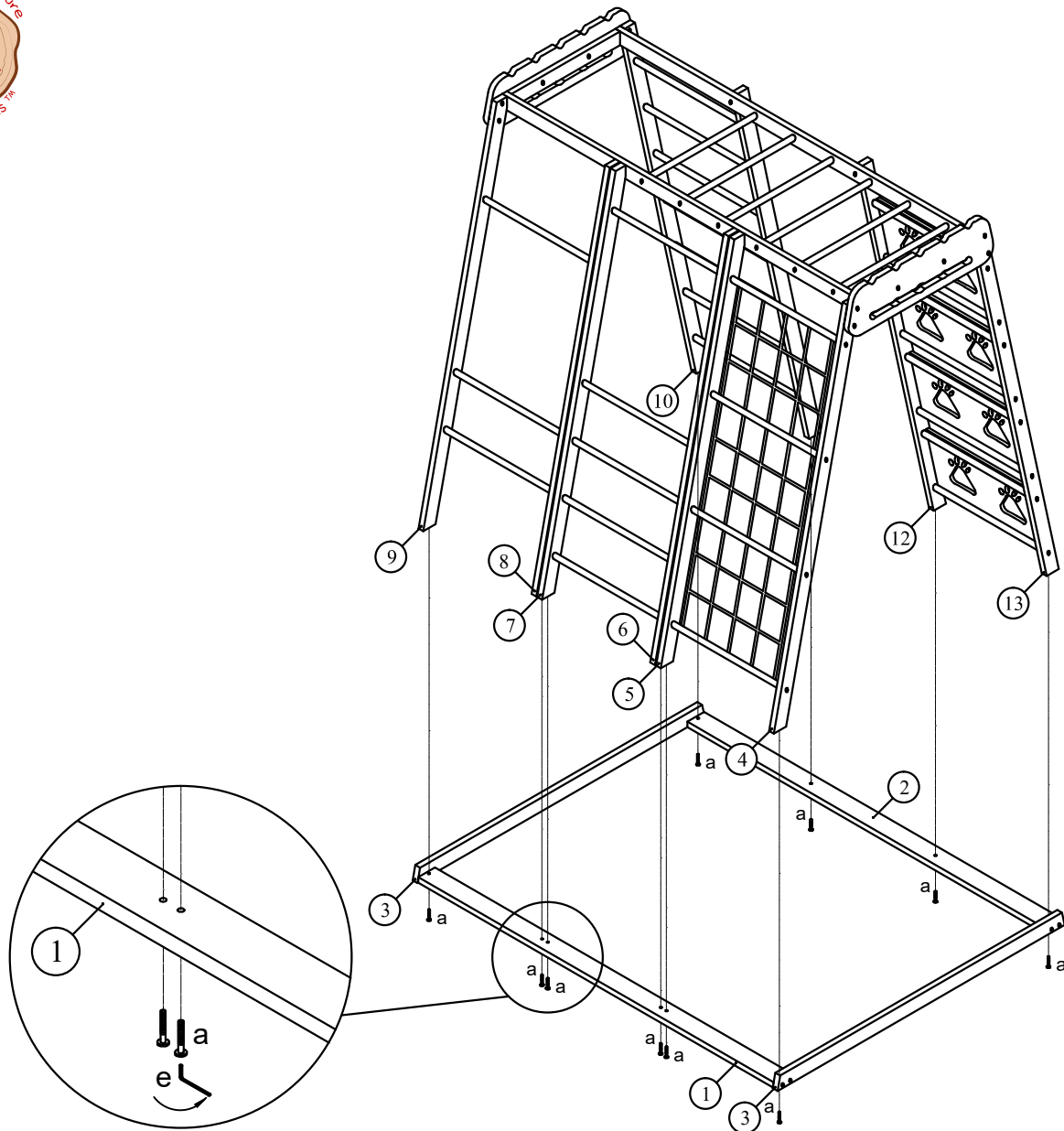
Pic. 11

Assemble the Ladder with 5 steps with Upper Ladder side 1 (14) with screws (a), using hex key (e). See Pic. 11.



Pic. 12

Assemble the Ladder with 3 and 7 steps with Sidewall (17) using screws (b), nuts (c) and both hex keys (e). Screw the Ladder with 3 and 7 steps with Upper Ladder with screws (a), using hex key (e). See Pic. 12.



Pic. 13

Assemble the Vertical Ladders with Front (1) and Back (2) base using screws (a) and hex key (e). See Pic. 13.



To be used for its intended purpose only and under the direct supervision of an adult!  
All the responsibility for children's injuries received during games on the furniture lies on adults watching after them.

Always be vigilant during children's games!