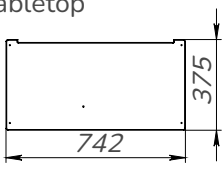
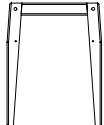
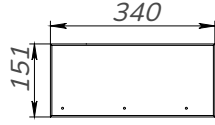
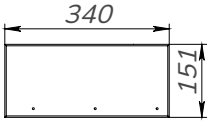
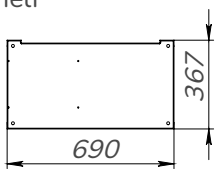
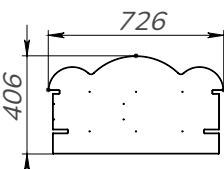
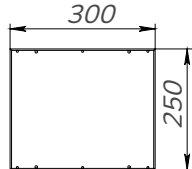
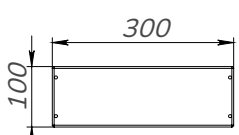
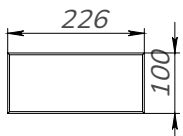
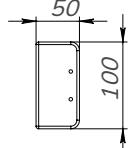







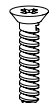

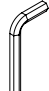

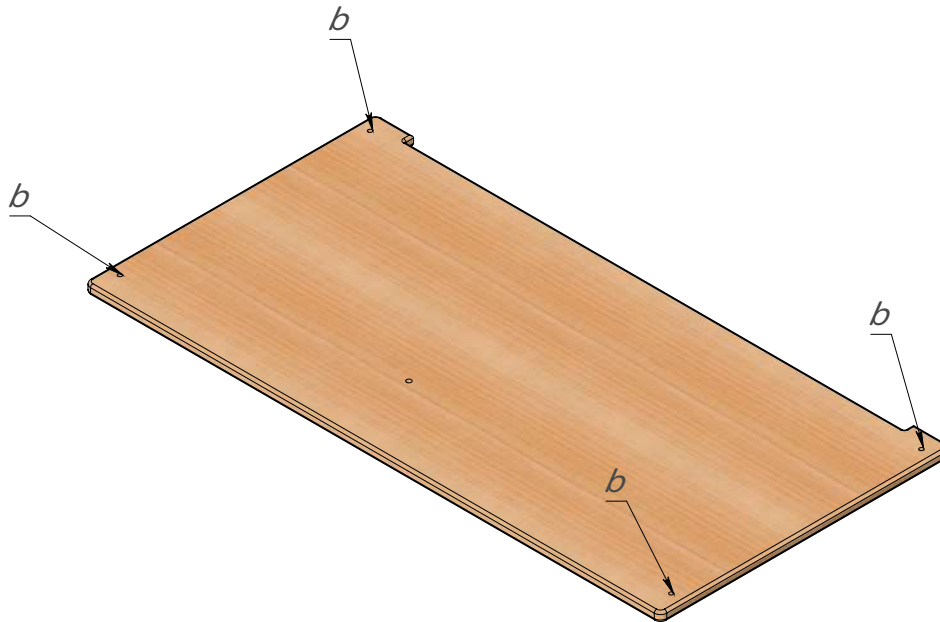


Nightstand "Cloud"



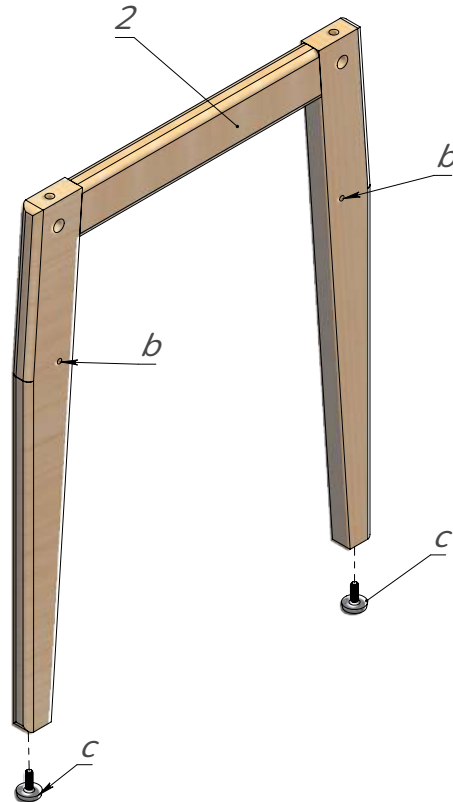
ASSEMBLY DETAILS

<p>1 - Tabletop</p>  <p>1 pc.</p>	<p>2 - Legs,</p>  <p>2 pcs.</p>	<p>3 - Left shelf side</p>  <p>1 pc.</p>	<p>4 - Right shelf side</p>  <p>1 pc.</p>
<p>5 - Shelf</p>  <p>1 pc.</p>	<p>6 - Back wall</p>  <p>1 pc.</p>	<p>7 - Drawer bottom</p>  <p>1 pc.</p>	<p>8 - Drawer sidewall</p>  <p>2 pcs.</p>
<p>9 - Back drawer wall</p>  <p>1 pc.</p>	<p>10 - Plank under facade</p>  <p>2 pcs.</p>	<p>11 - Facade</p>  <p>1 pc.</p>	<p>a - Eccentric clamps*</p>  <p>8 pcs.</p>
<p>b - Mini-fixing dowel</p>  <p>8 pcs.</p>	<p>c - Adjustable footing</p>  <p>4 pcs.</p>	<p>d - Wooden dowel</p>  <p>1 pc.</p>	<p>e - Drawer runner</p>  <p>2 sets</p>
<p>f - Self-tapping screw 3x12</p>  <p>12 pcs.</p>	<p>g - Self-tapping screw 3x20</p>  <p>4 pcs.</p>	<p>h - Confirmat screw 5x40</p>  <p>26 pcs.</p>	<p>i - Hex key 3 mm</p>  <p>1 pc.</p>
<p>j - Screwdriver</p>  <p>1 pc.</p>	<p>* eccentric clamps are already installed into the details</p>		



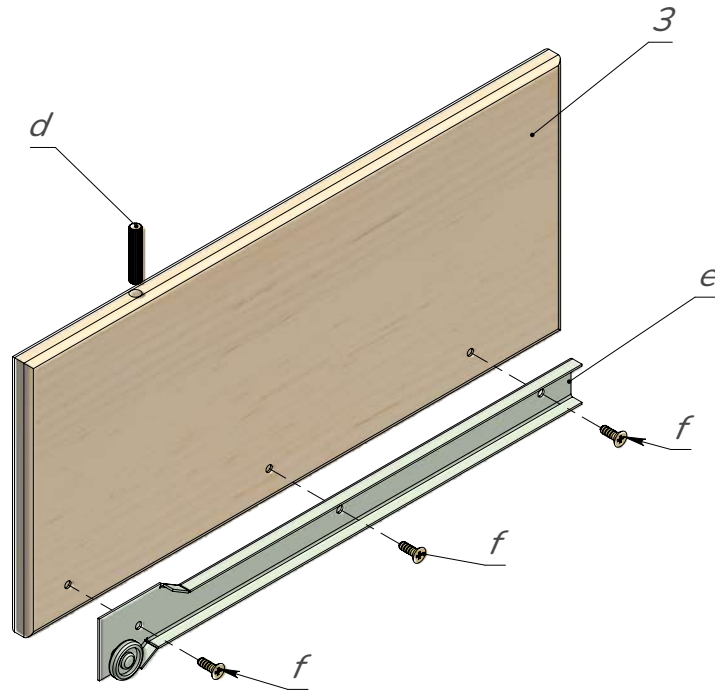
Pic. 1

Take the Screwdriver (j) and screw the mini-fixing dowel (b) into the tabletop (1). See Pic. 1.



Pic. 2

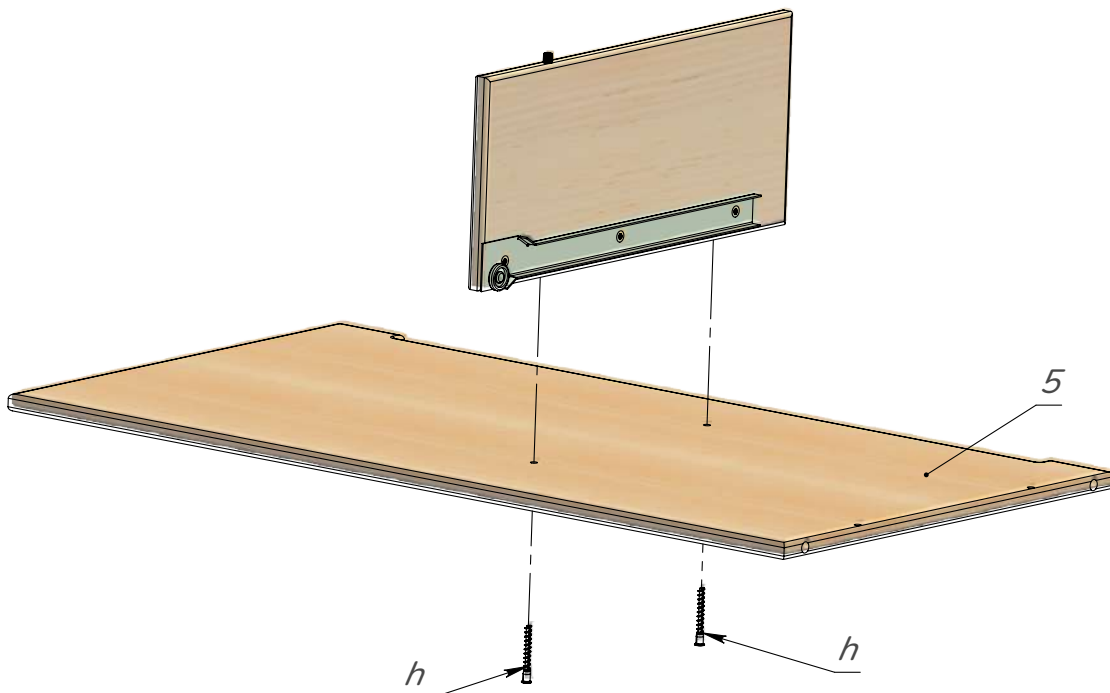
Take the Legs (2) and using the Screwdriver (j), screw the mini-fixing dowels (b) in. Then take the adjustable footing (c) and screw it into the Legs (2) from beneath. See Pic.2.



Pic. 3

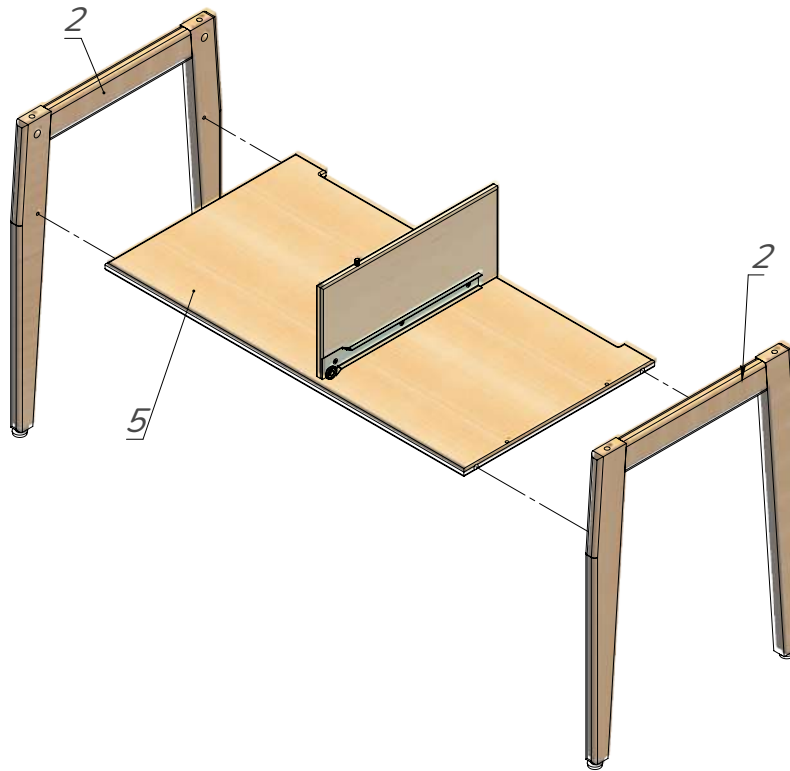
Take the left shelf side (3) and using the screwdriver (j) and self-tapping screws (f), connect drawer runner (e). Also install the wooden dowel (d). See Pic. 3.

Then connect the drawer runner (e) to the right shelf side (4) in a similar way.



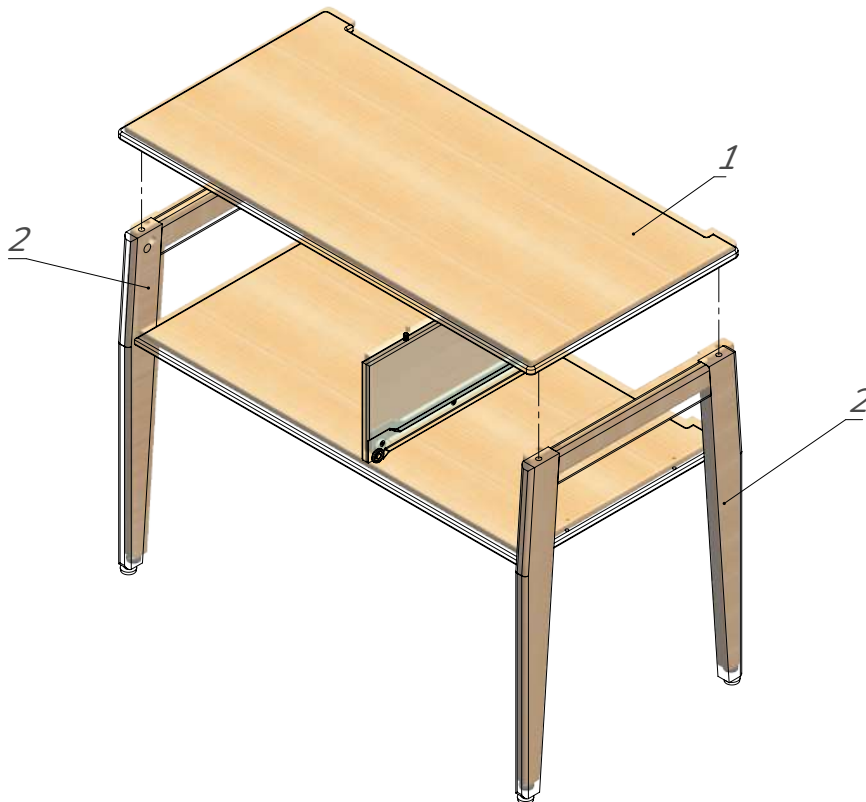
Pic. 4

Take the shelf (5) and using the confirmat screws (h) and hex key (i), screw the previously assembled left shelf side (3) to it. See Pic. 4.



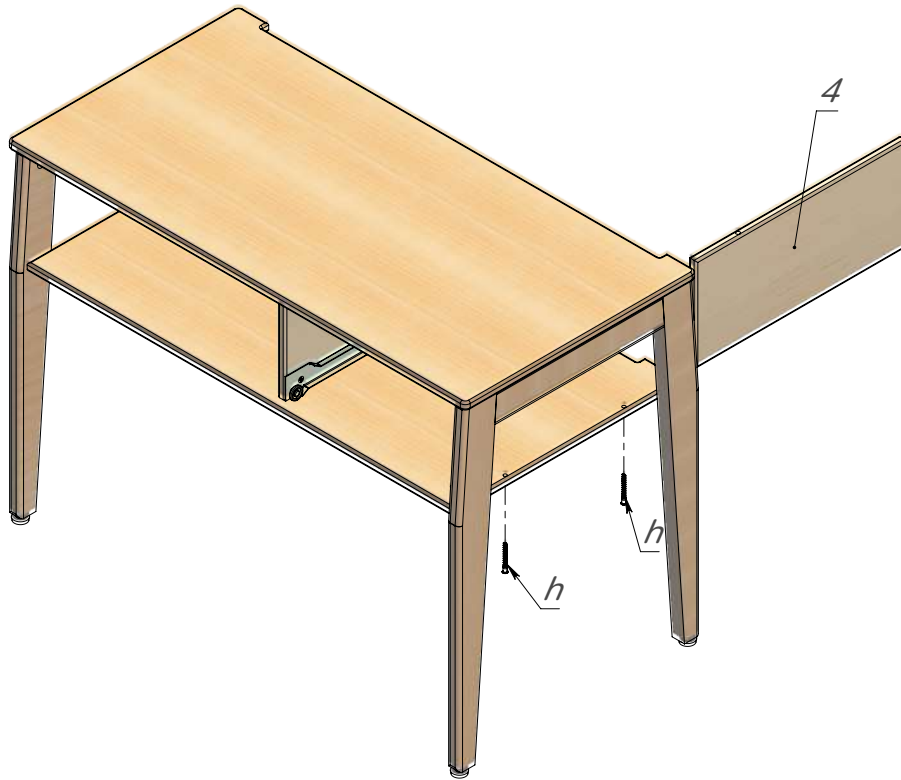
Pic. 5

Connect the legs (2) to the previously assembled construction and close the eccentric clamps (a) located at the shelf (5) clockwise using the screwdriver (j). See Pic. 5.



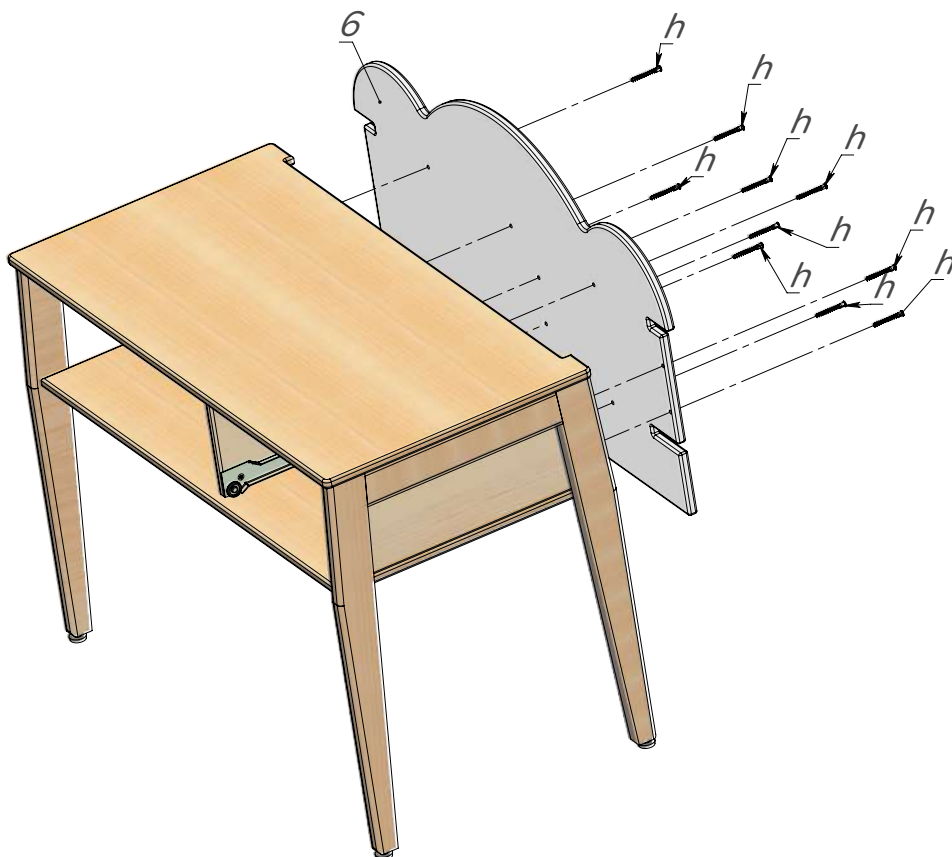
Pic. 6

Install the tabletop (1) and close the eccentric clamps (a) located at the legs (2) clockwise using the screwdriver (j). See Pic. 6.



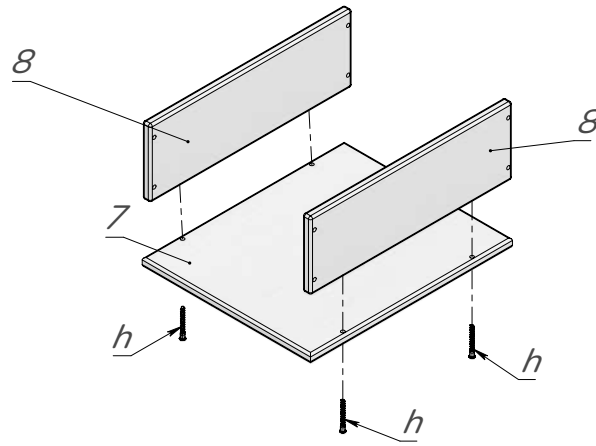
Pic. 7

Connect the right shelf side (4) to the accomplished structure using the confirmat screws (h) and hex key (i). See Pic. 7.



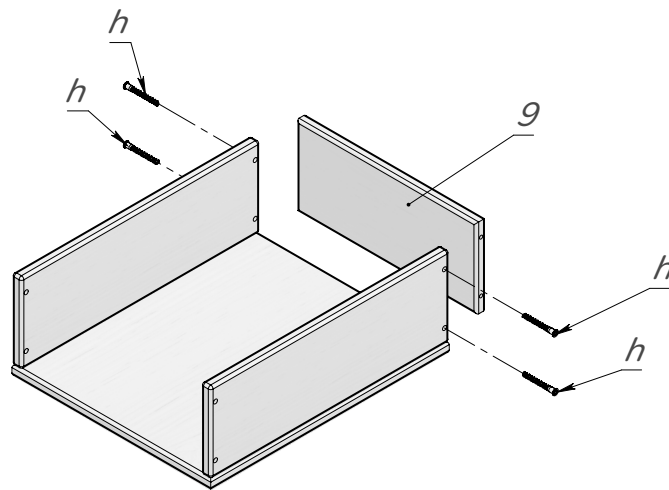
Pic. 8

Connect the back wall (6) with the confirmat screws (h). See Pic. 8.



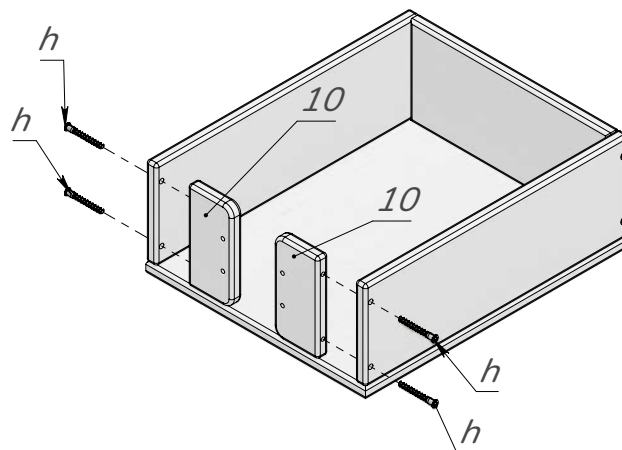
Pic. 9

Take the drawer bottom (7) and screw the drawer sidewalls (8) to it with confirmats (h) and hex key (i). See Pic. 9.



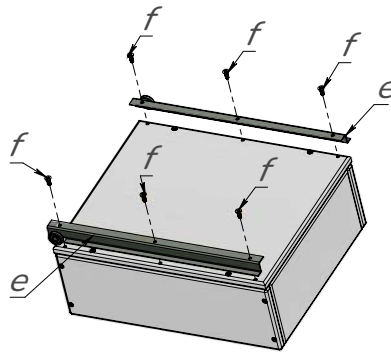
Pic. 10

Take the drawer back wall (9) and screw it with the confirmat screws (h). See Pic. 10.



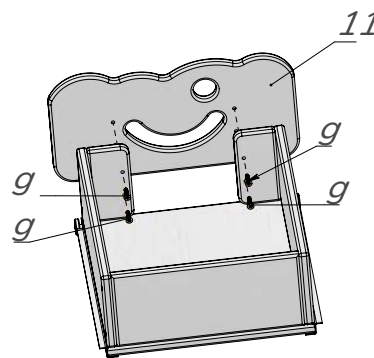
Pic. 11

Take the under-facade planks (10) and attach them to the previously assembled construction with confirmats (h). See Pic. 11.



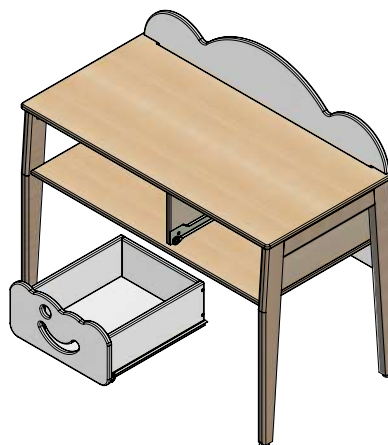
Pic. 12

Fasten the drawer runners (e) with the self-tapping screws (f) and screwdriver (j). See Pic. 12.



Pic. 13

Using another type of self-tapping screws (g), attach the facade (11). See Pic. 13.



Pic. 14

Install the drawer into the main construction. See Pic. 14.



To be used for its intended purpose only and under the direct supervision of an adult!

All the responsibility for children's injuries received during games on the furniture lies on adults watching after them.

Always be vigilant during children's games!