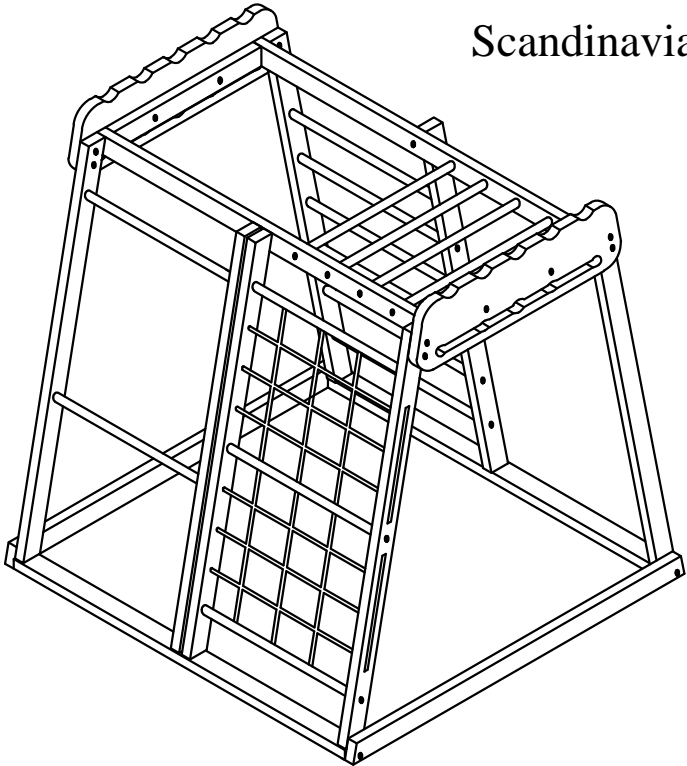


Scandinavian trapeze

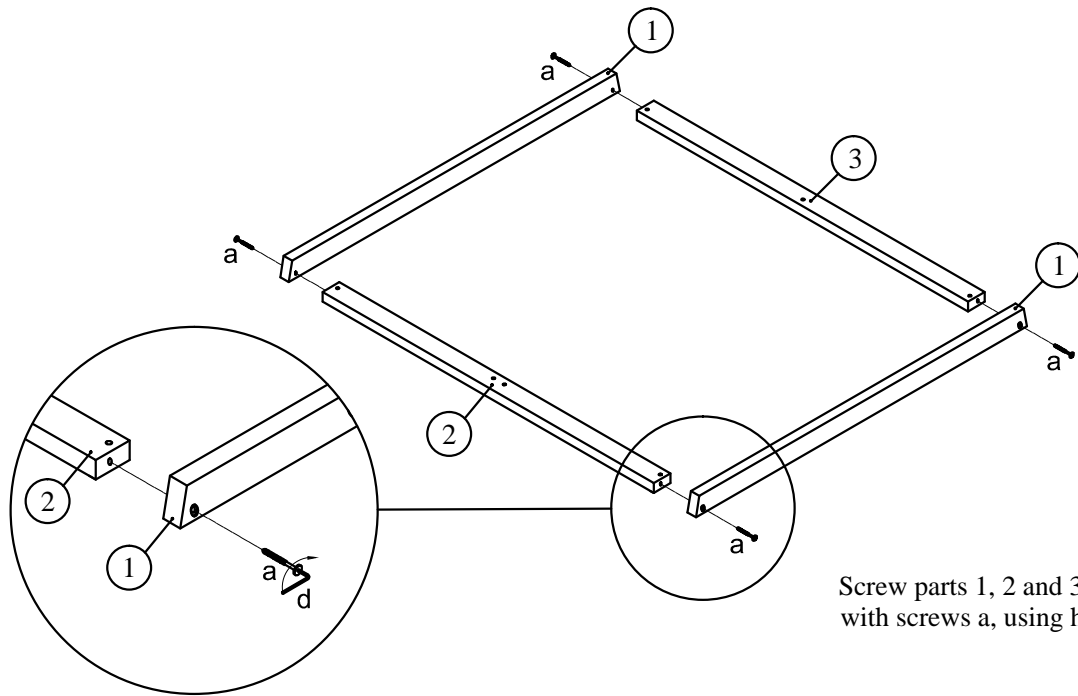


ASSEMBLY PARTS

<p>1</p> <p>980</p> <p>Basis(2pc)</p>	<p>2</p> <p>980</p> <p>Basis(1pc)</p>	<p>3</p> <p>980</p> <p>Basis(1pc)</p>
<p>4</p> <p>1000</p> <p>Sadewall(1pc)</p>	<p>5</p> <p>1000</p> <p>Sadewall(1pc)</p>	<p>6</p> <p>1000</p> <p>Sadewall(1pc)</p>
<p>7</p> <p>1000</p> <p>Sadewall(1pc)</p>	<p>8</p> <p>1000</p> <p>Sadewall(1pc)</p>	<p>9</p> <p>980</p> <p>Up basic(1pc)</p>
<p>10</p> <p>980</p> <p>Up basic(1pc)</p>	<p>11</p> <p>437</p> <p>Up basic(2pcs)</p>	<p>12</p> <p>602</p> <p>Sadewall(2pcs)</p>
<p>13</p> <p>Lader(1pc)</p>	<p>14</p> <p>Long nog(13pcs)</p>	

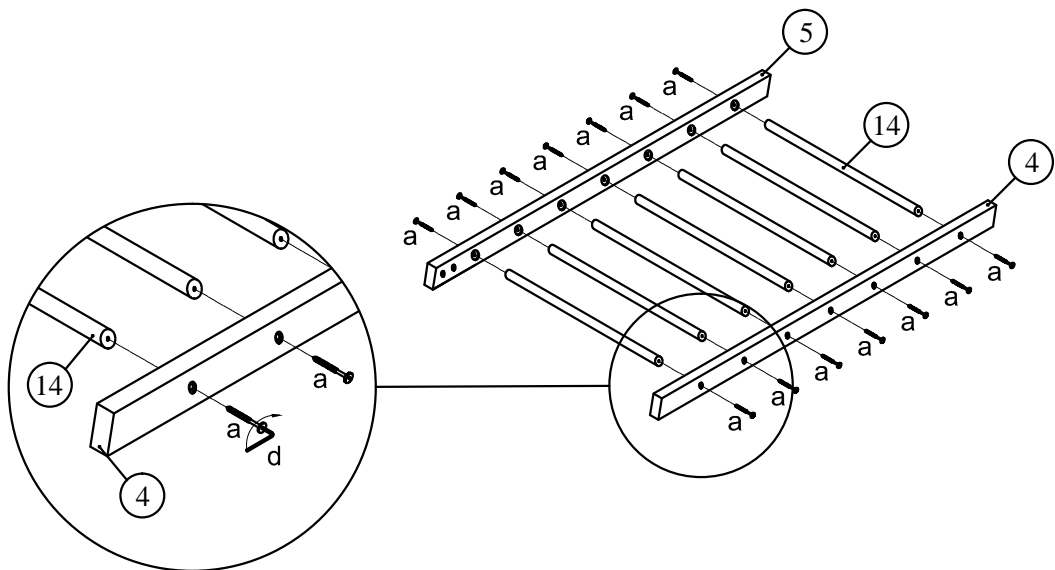
<p>a</p> <p>Flat head 50mm screw (44pcs)</p>	<p>b</p> <p>Flat head 35mm screw (12pcs)</p>	<p>c</p> <p>Flat head 17mm screw (12pcs)</p>	<p>d</p> <p>4mm hex key (1pc)</p>
--	--	--	---------------------------------------

STEP 1



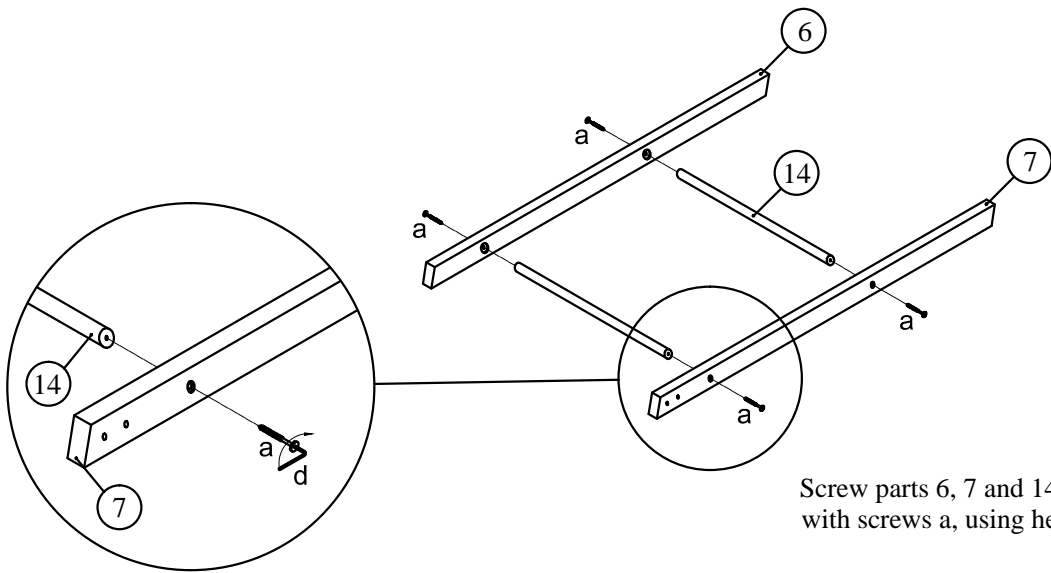
Screw parts 1, 2 and 3
with screws a, using hex key d

STEP 2



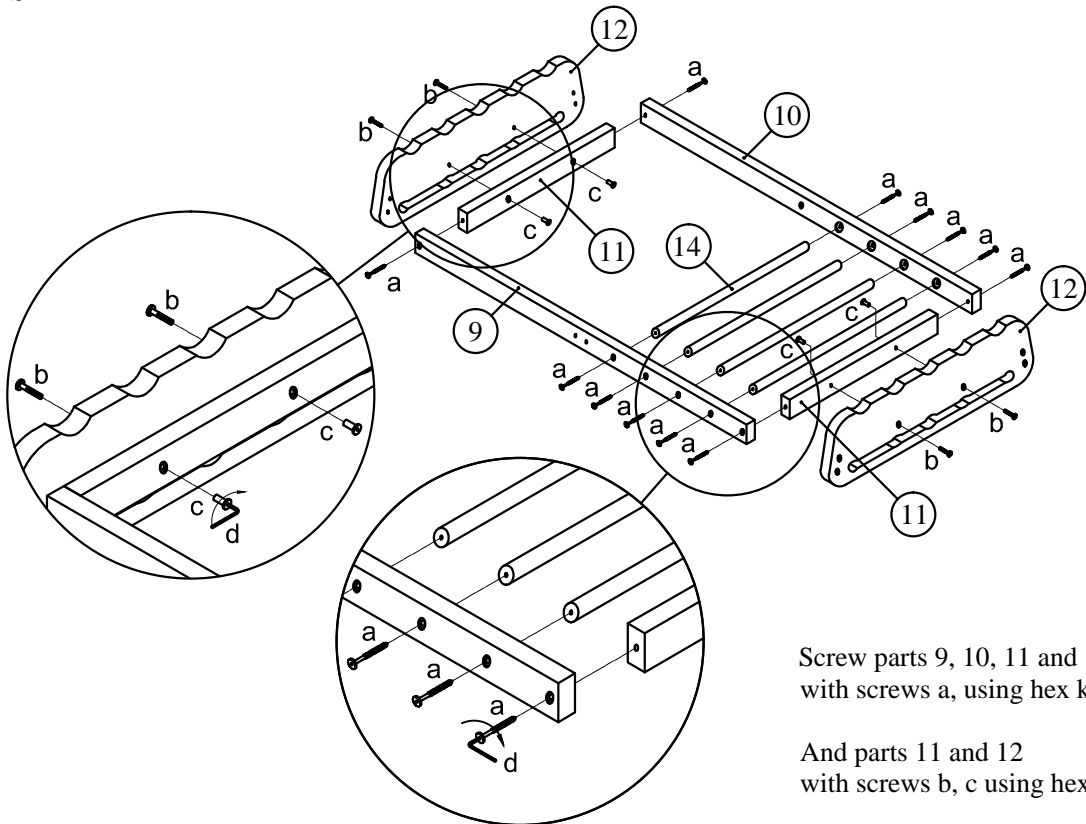
Screw parts 4, 5 and 14
with screws a, using hex key d

STEP 3



Screw parts 6, 7 and 14
with screws a, using hex key d

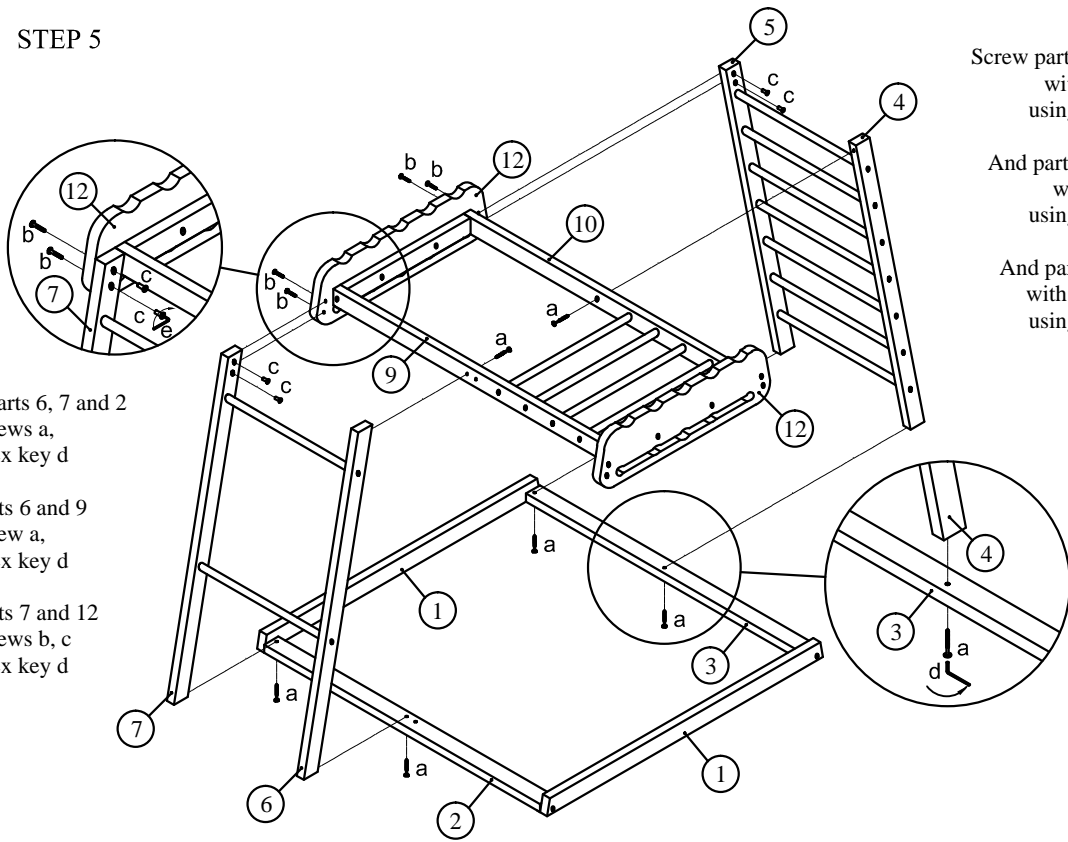
STEP 4



Screw parts 9, 10, 11 and 14
with screws a, using hex key d

And parts 11 and 12
with screws b, c using hex key d

STEP 5



Screw parts 6, 7 and 2 with screws a, using hex key d

And parts 6 and 9 with screw a, using hex key d

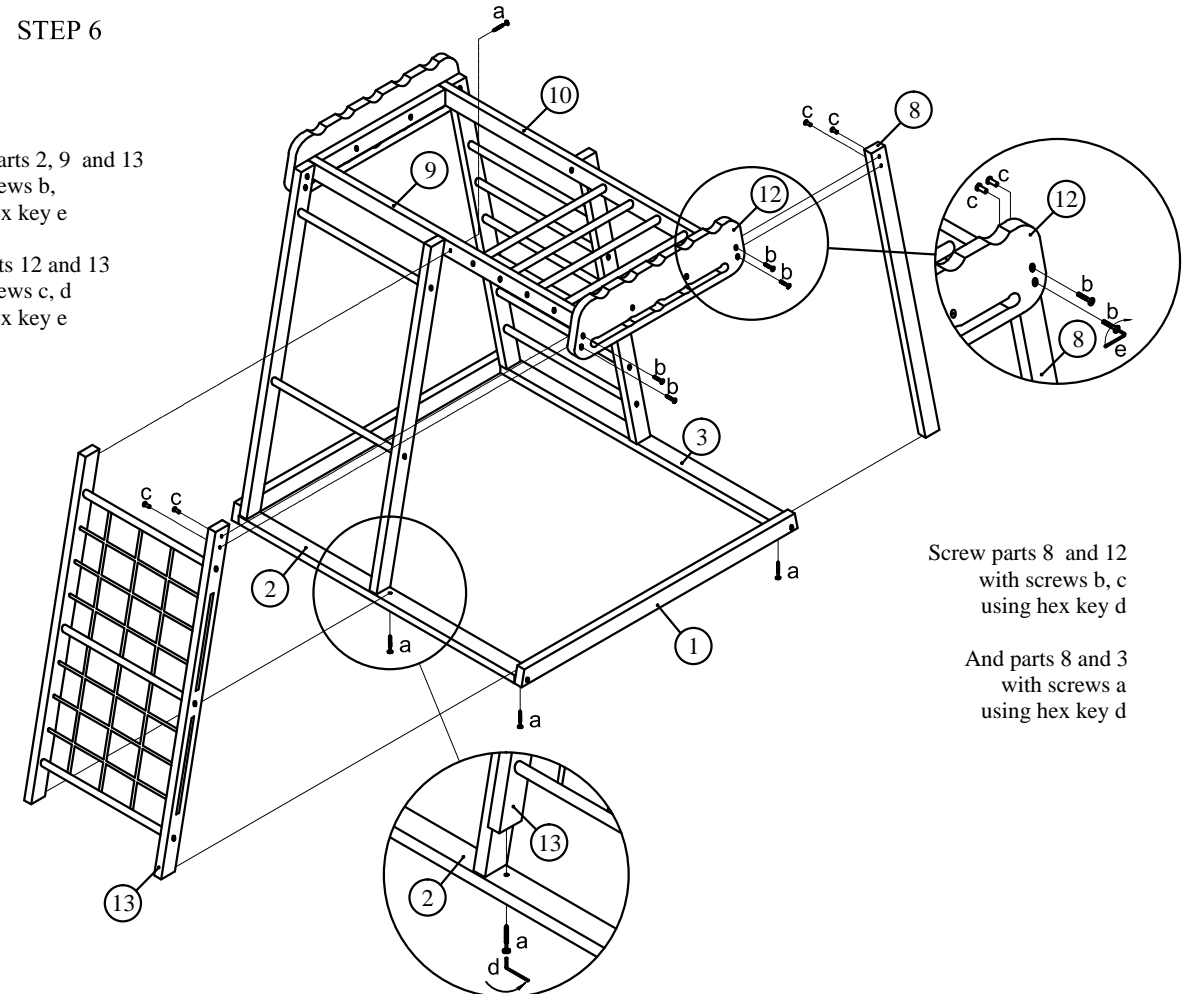
And parts 7 and 12 with screws b, c using hex key d

Screw parts 4, 5 and 3 with screws a, using hex key d

And parts 4 and 110 with screw a, using hex key d

And parts 5 and 12 with screws b, c using hex key d

STEP 6



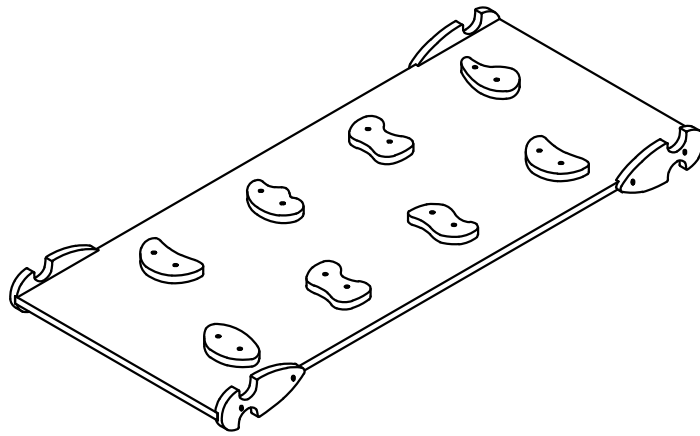
Screw parts 2, 9 and 13 with screws b, using hex key e

And parts 12 and 13 with screws c, d using hex key e

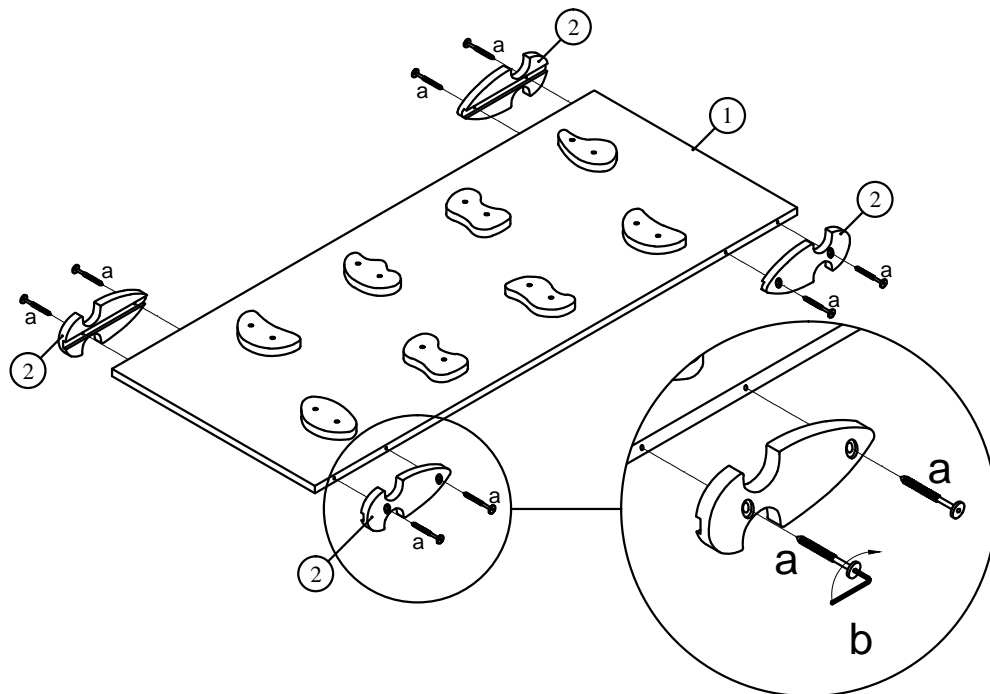
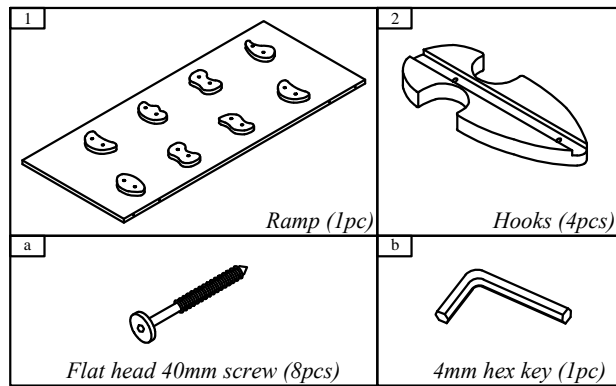
Screw parts 8 and 12 with screws b, c using hex key d

And parts 8 and 3 with screws a using hex key d

Ramp



ASSEMBLY PARTS



Screw the hooks 2 to the ramp 1 with confirmat screws a using hex key b.