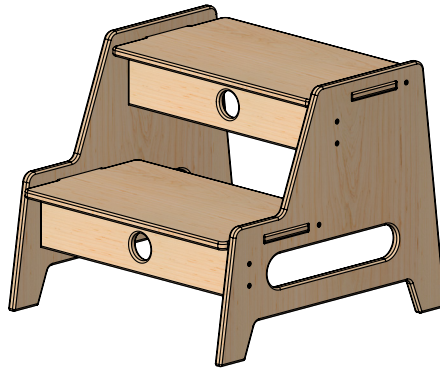
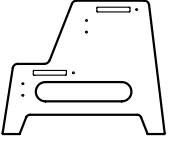
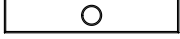


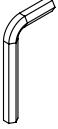
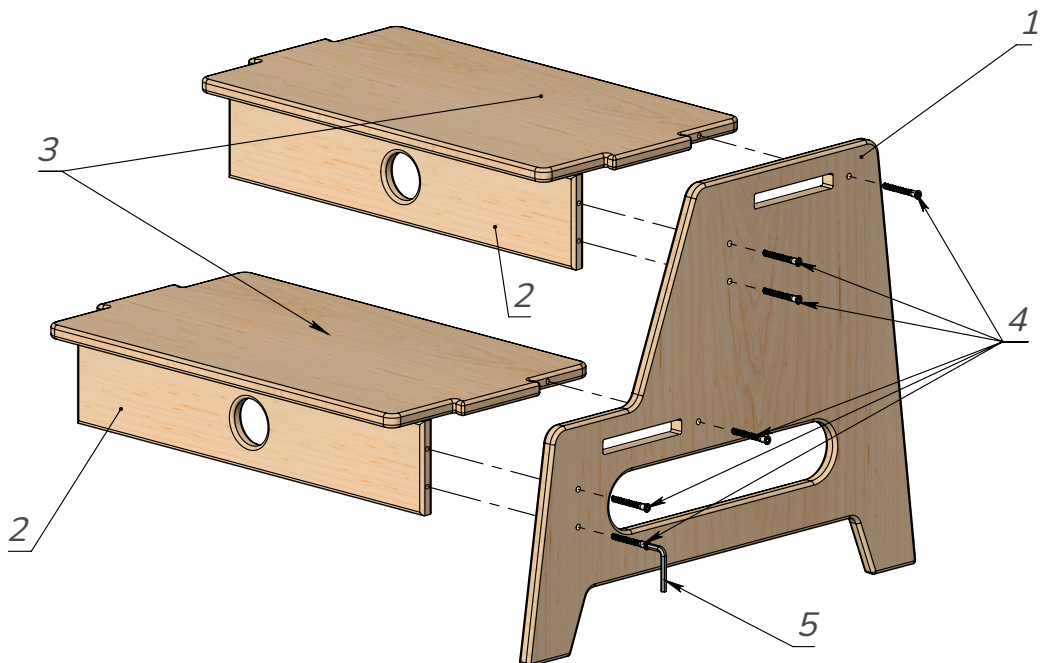


# Washbasin stand



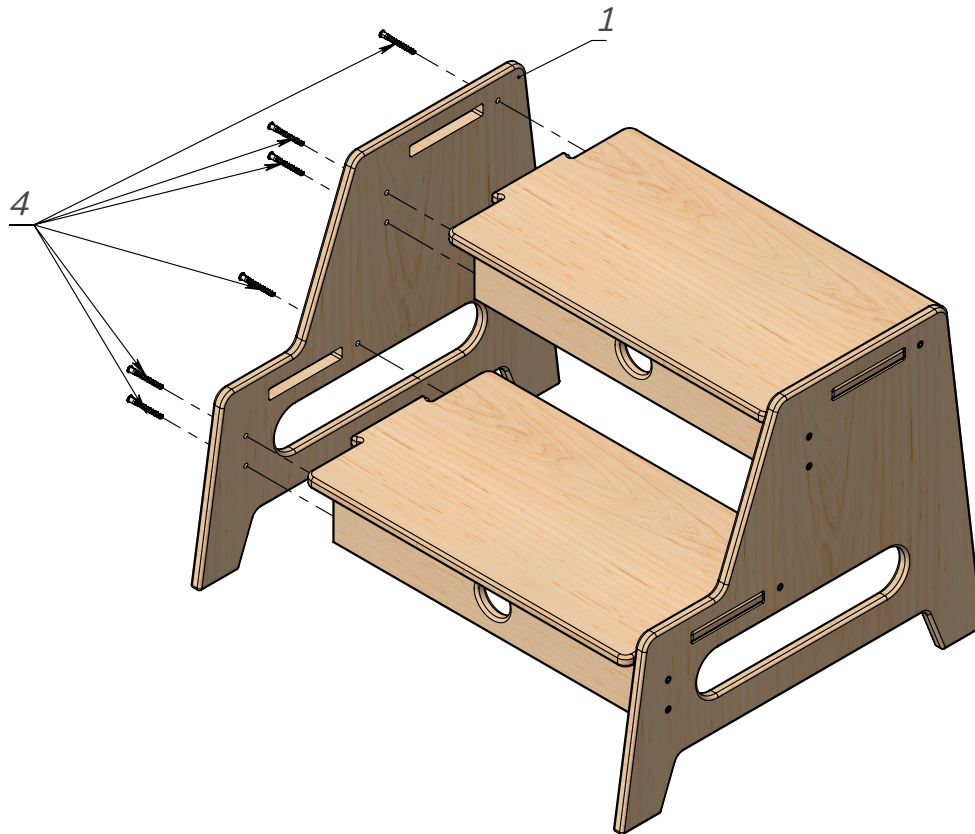
## ASSEMBLY DETAILS

<p>1 - Sidewall</p>  <p>2 pcs.</p>	<p>2 - Bar</p>  <p>2 pcs.</p>	<p>3 - Step</p>  <p>2 pcs.</p>	<p>4 - Confirmat screw 5x40</p>  <p>12 pcs.</p>	<p>5 - Hex key 3 mm</p>  <p>1 pc.</p>
---	--	---	--	--



*Pic. 1*

Insert the steps (3) into the grooves of one of the sidewall (1). Then attach bar (2) and steps (3) with confirmat screws (4) using hex key (5). See Pic. 1.



Pic. 2

Similarly attach the other sidewall (1) using confirmat screws (4).  
See Pic. 2.



The products is meant for indoor use only.  
To be used for its intended purpose only and under  
the direct supervision of an adult!  
All the responsibility for children's injuries received during  
games on the furniture lies on adults watching after them.

Always be vigilant during children's games!