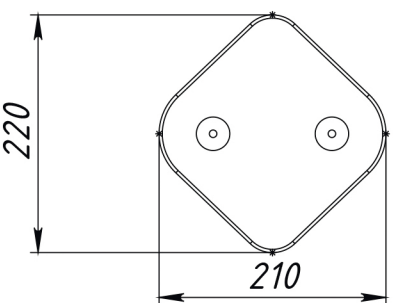
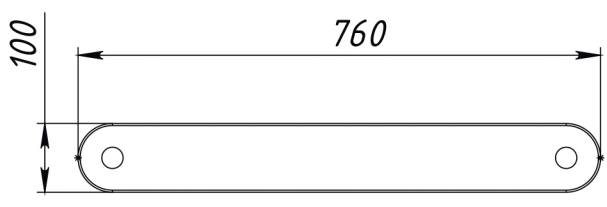
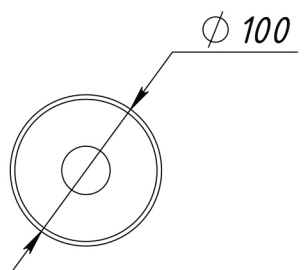
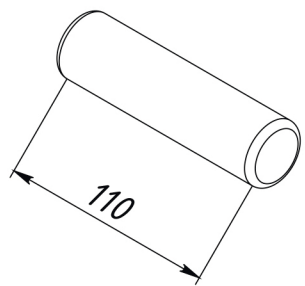
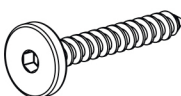
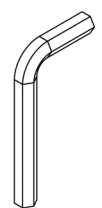


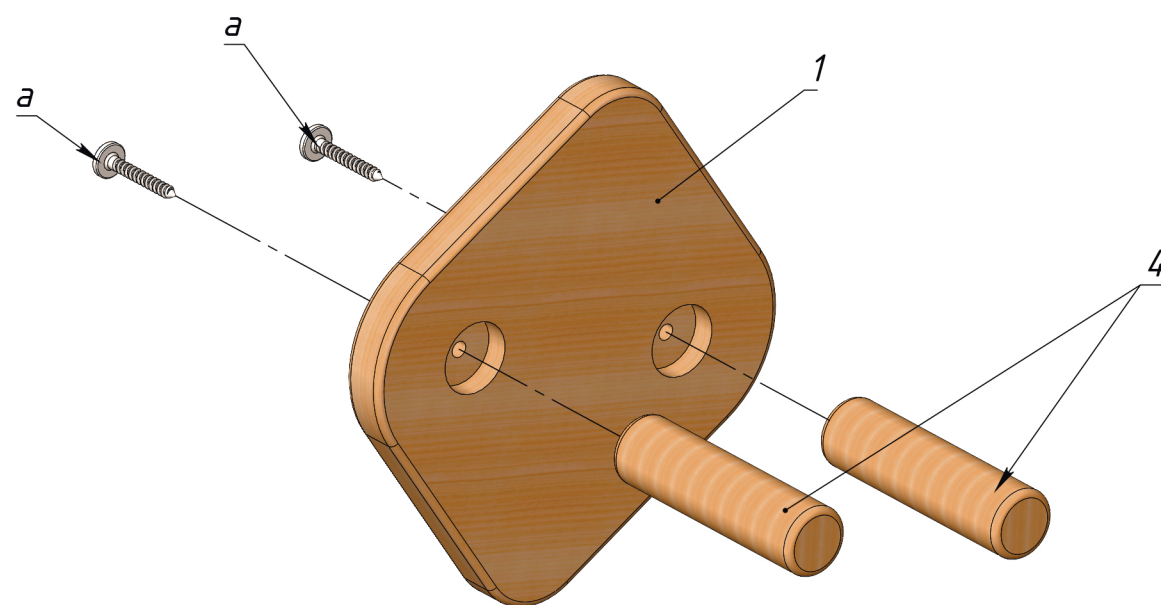


# Balancer "Snake"



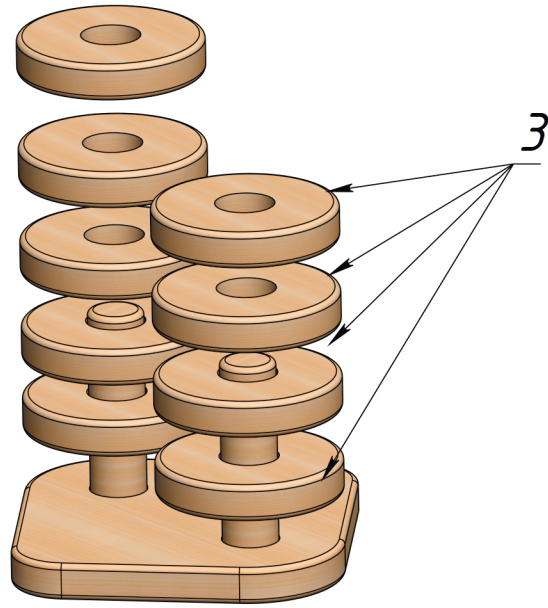
## ASSEMBLY DETAILS

<p>1 - Base unit</p>  <p>4 pcs.</p>	<p>2 - End cap</p>  <p>3 pcs.</p>	<p>3 - Round edge strip</p>  <p>34 pcs.</p>
<p>4 - Nog</p>  <p>8 pcs.</p>	<p>a - self-tapping screw 6.3x40</p>  <p>8 pcs.</p>	<p>b - 4 mm hex key</p>  <p>1 pc.</p>



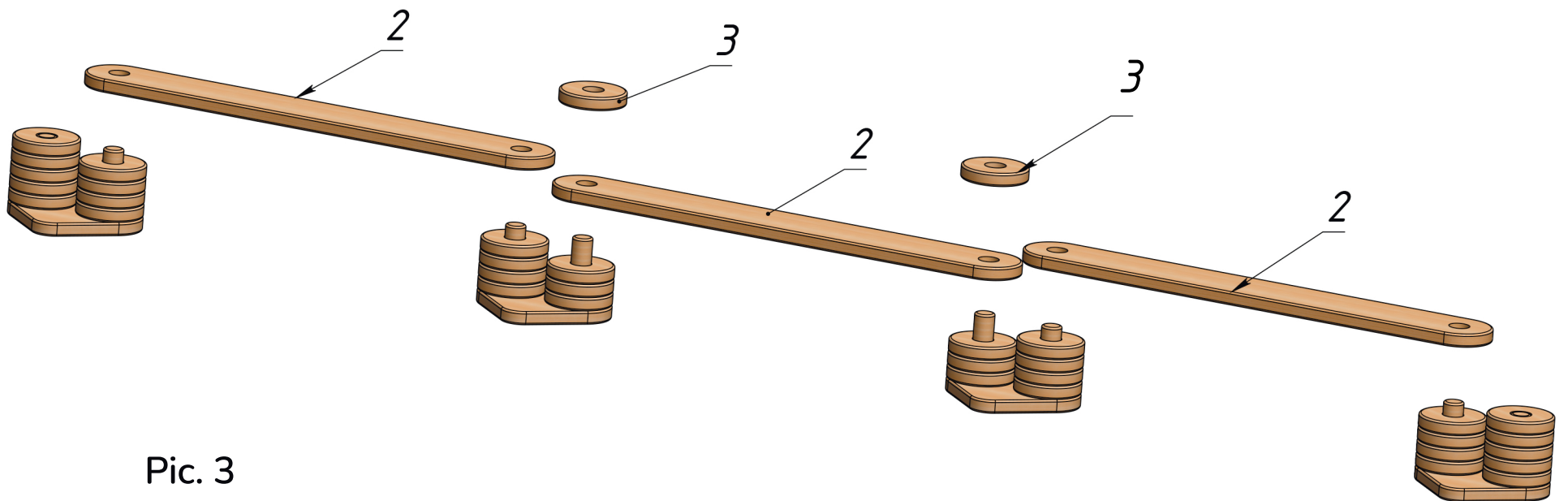
Pic. 1

Take the base unit (1) and using the self-tapping screws (a) and a hex key (b) connect the nog (4). Fulfill the same with other three base units. See Pic. 1



Pic. 2

Attach assembly parts (3) to the previously assembled construction. See Pic. 2



Pic. 3

Connect the previously assembled parts with the end caps (2). See Pic. 3

Changing the position of parts (3) and (2) adjust the height and the direction of the construction.

To be used for its intended purpose only and under the direct supervision of an adult!

All the responsibility for children's injuries received during games on the furniture lies on adults watching after them.

Always be vigilant during children's games!