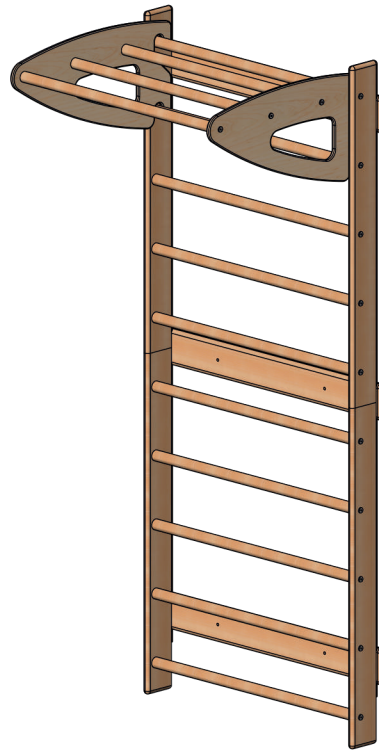


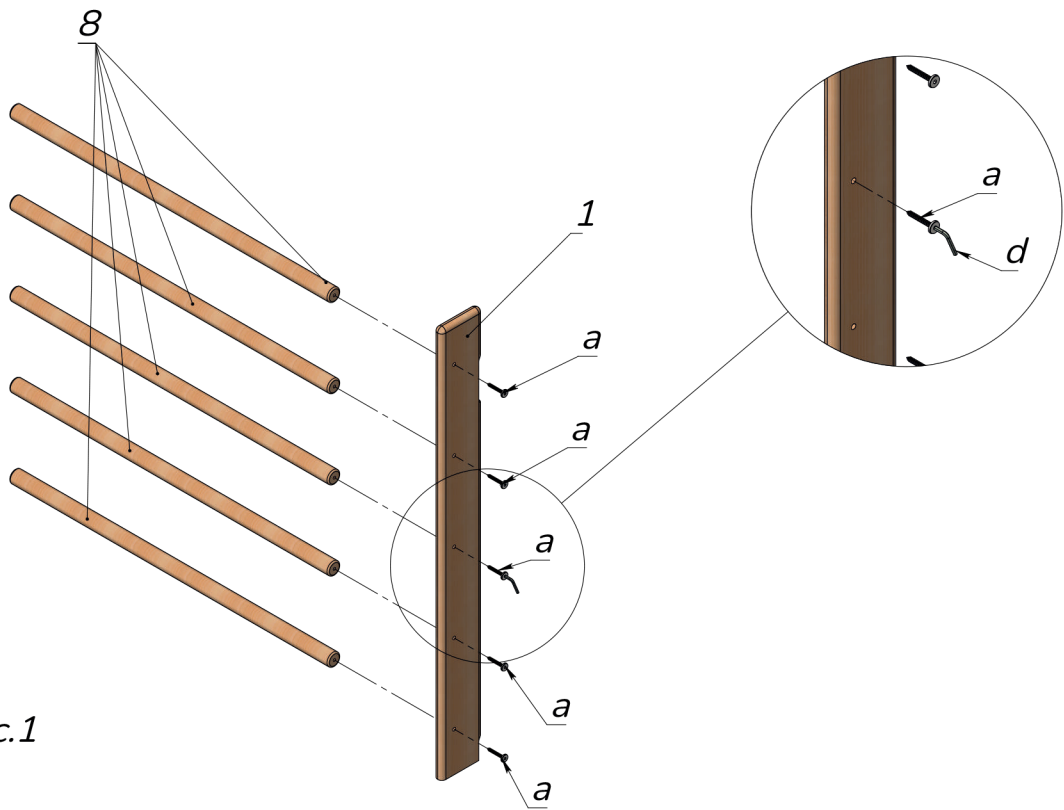


Swedish Ladder of 2 parts



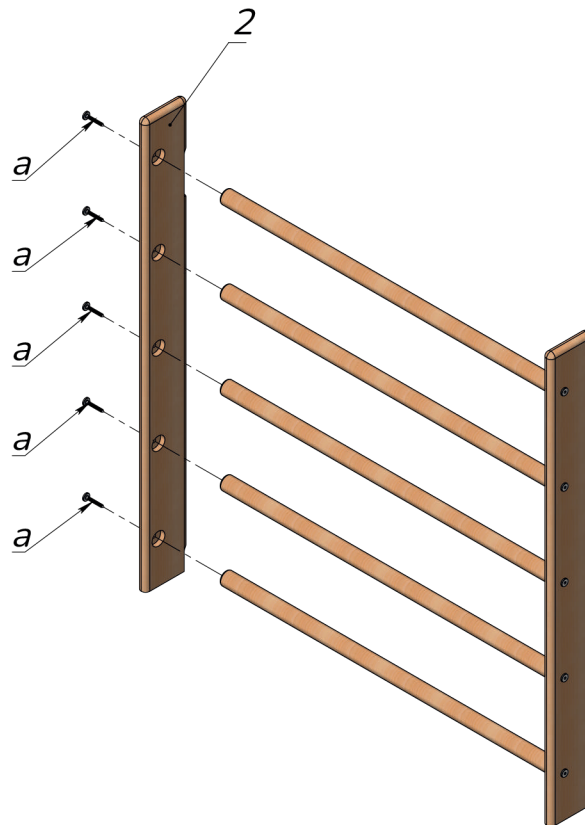
Assembly details

<p>1 - Upper left side</p> <p>1 pc</p>	<p>2 - Upper right side</p> <p>1 pc</p>	<p>3 - Lower left side</p> <p>1 pc</p>	<p>4 - Lower right side</p> <p>1 pc</p>
<p>5 - Left side of horizontal bar</p> <p>1 pc</p>	<p>6 - Right side of horizontal bar</p> <p>1 pc</p>	<p>7 - Back bar</p> <p>3 pcs</p>	<p>8 - Long nail</p> <p>10 pcs</p>
<p>9 - Short nail</p> <p>3 pcs</p>	<p>a - Fat head screw</p> <p>26 pcs</p>	<p>b - Wooden dowel 10x50</p> <p>4 pcs</p>	<p>c - Confirmat screw 7x50</p> <p>12 pcs</p>
<p>d - 4mm hex key</p> <p>1 pc</p>	<p>e - Dowel</p> <p>6 pcs</p>	<p>f - Self-tapping screw 6x100</p> <p>6 pcs</p>	



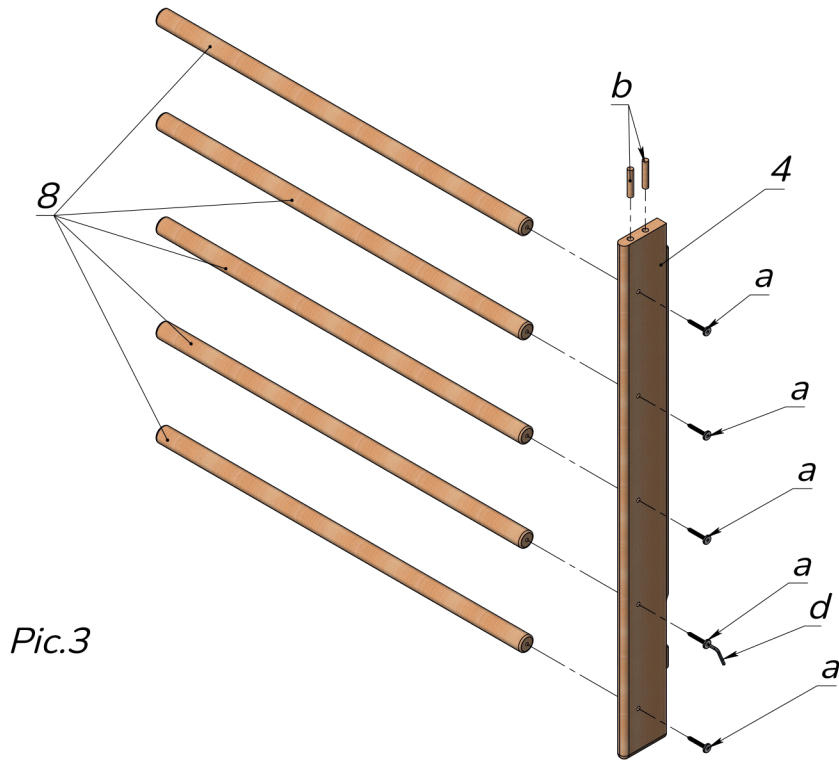
Pic.1

Screw the long nog (8) to the upper left side (1) using screws (a) and a hex key (d) (see Pic. 1)



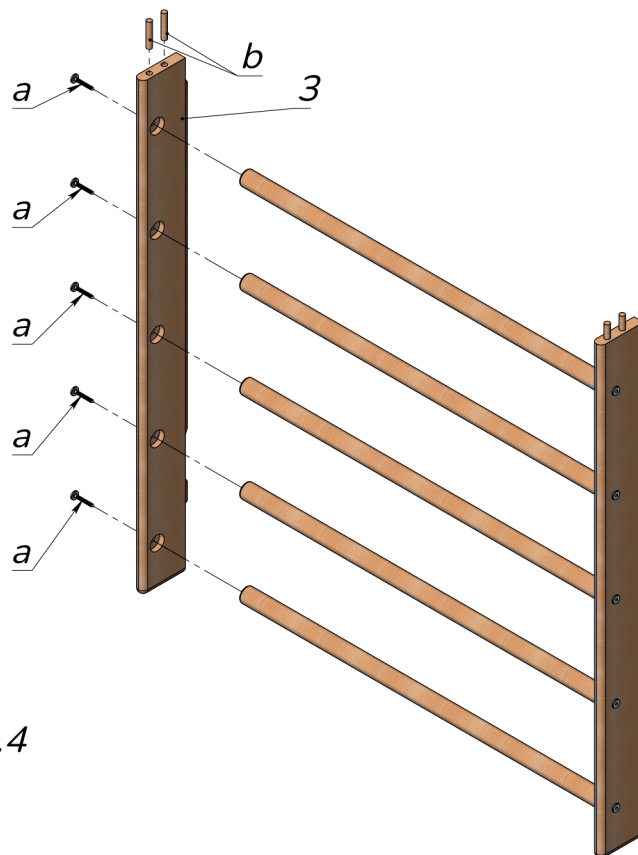
Pic.2

Fasten the upper right sidewall (2) with screws (a) to the pre-assembled structure (see Pic. 2)



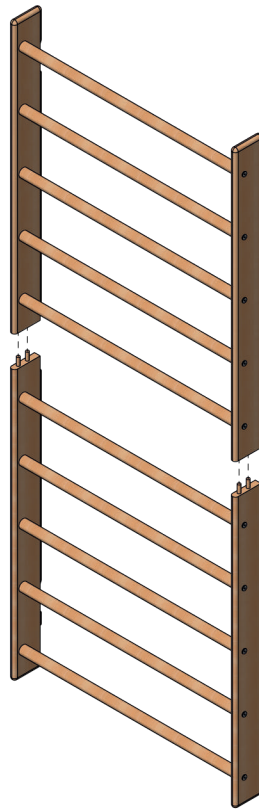
Pic.3

Screw the long nog (8) to the lower right side (4) using screws (a) and a hex key (d). Then install a wooden dowels (b) in the detail lower right side (see Pic. 3).



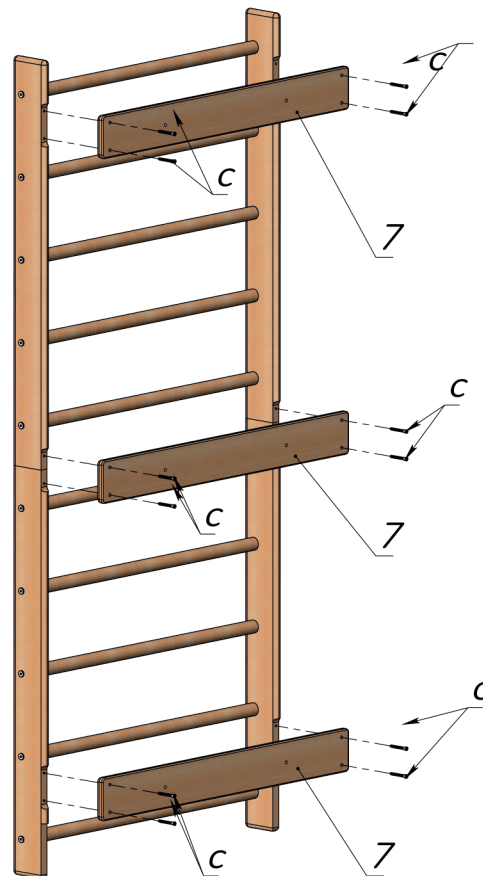
Pic.4

Fasten the lower left side (3) with screws (a) to the pre-assembled structure, and install wooden dowels (b) in the lower left side (3) (see Pic. 4)



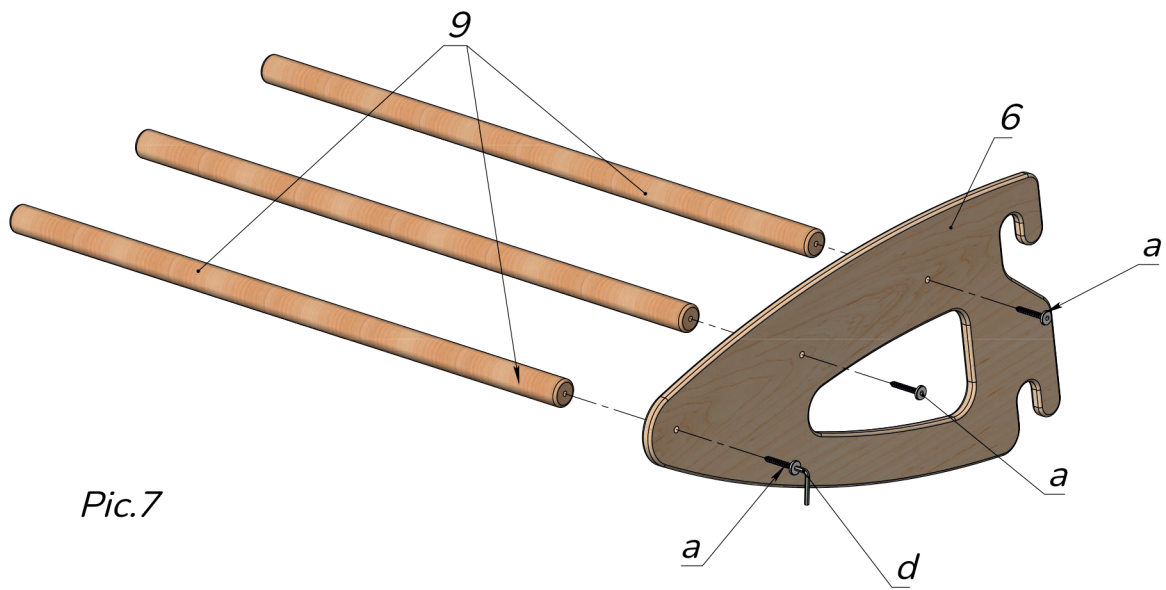
Pic.5

Connect the obtained semi-finished products together (see Pic. 5)



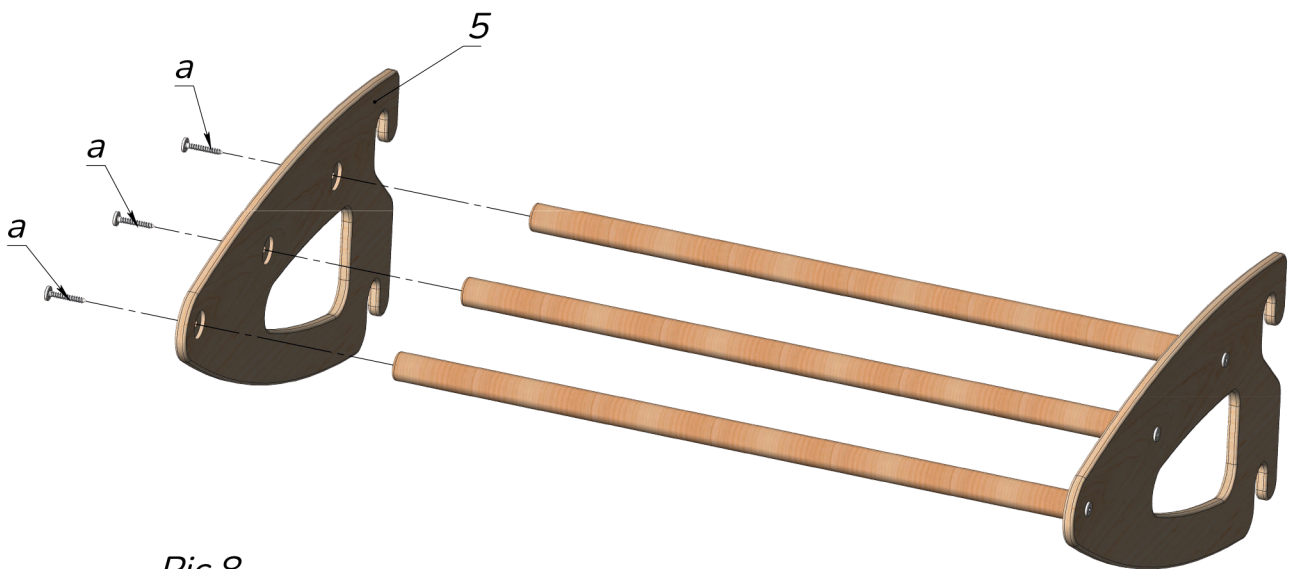
Pic.6

Fix the pre-assembled construction with back bars (7) and fasten them with confirmat screw (c) (see Pic. 6)



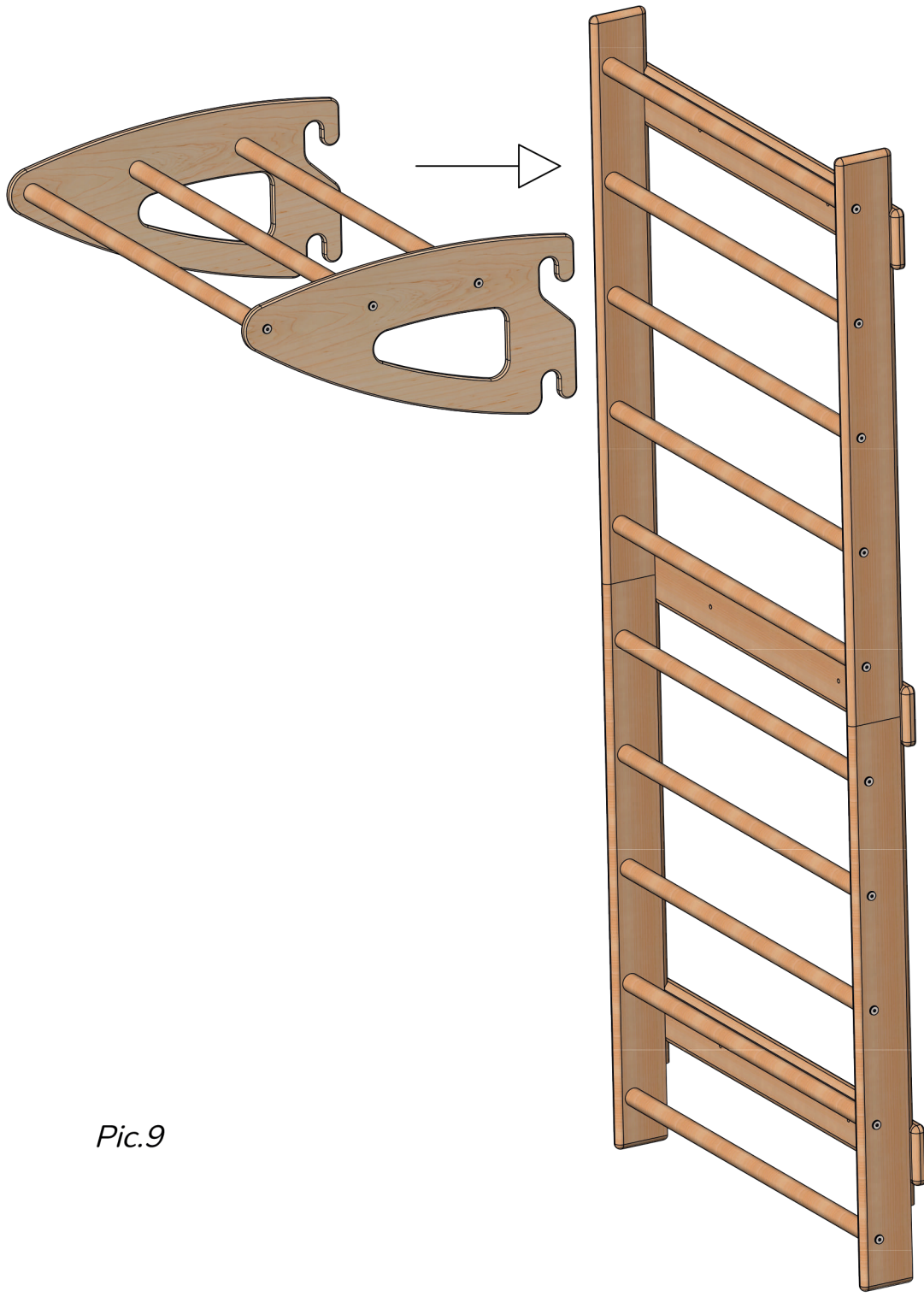
Pic.7

Screw the short nog (9) to the Right side of horizontal bar (6) using screws (a) and a key (d) (see Pic. 7)



Pic.8

Fasten the left side of horizontal bar (5) with screws (a) to the pre-assembled structure (see Pic. 8)

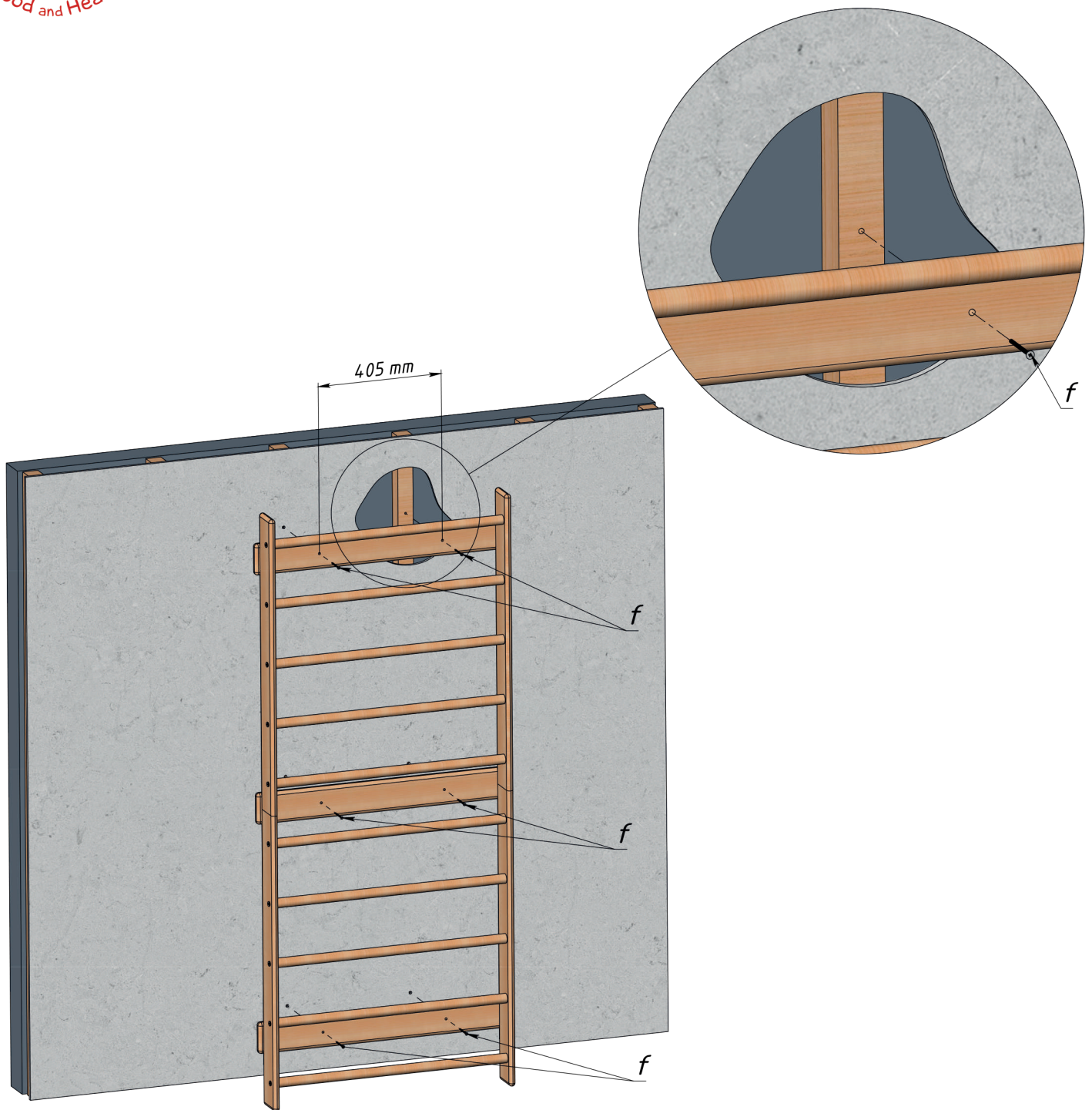


Pic.9

Install the horizontal bar on swedish ladder (see Pic. 9)



Drywall mount

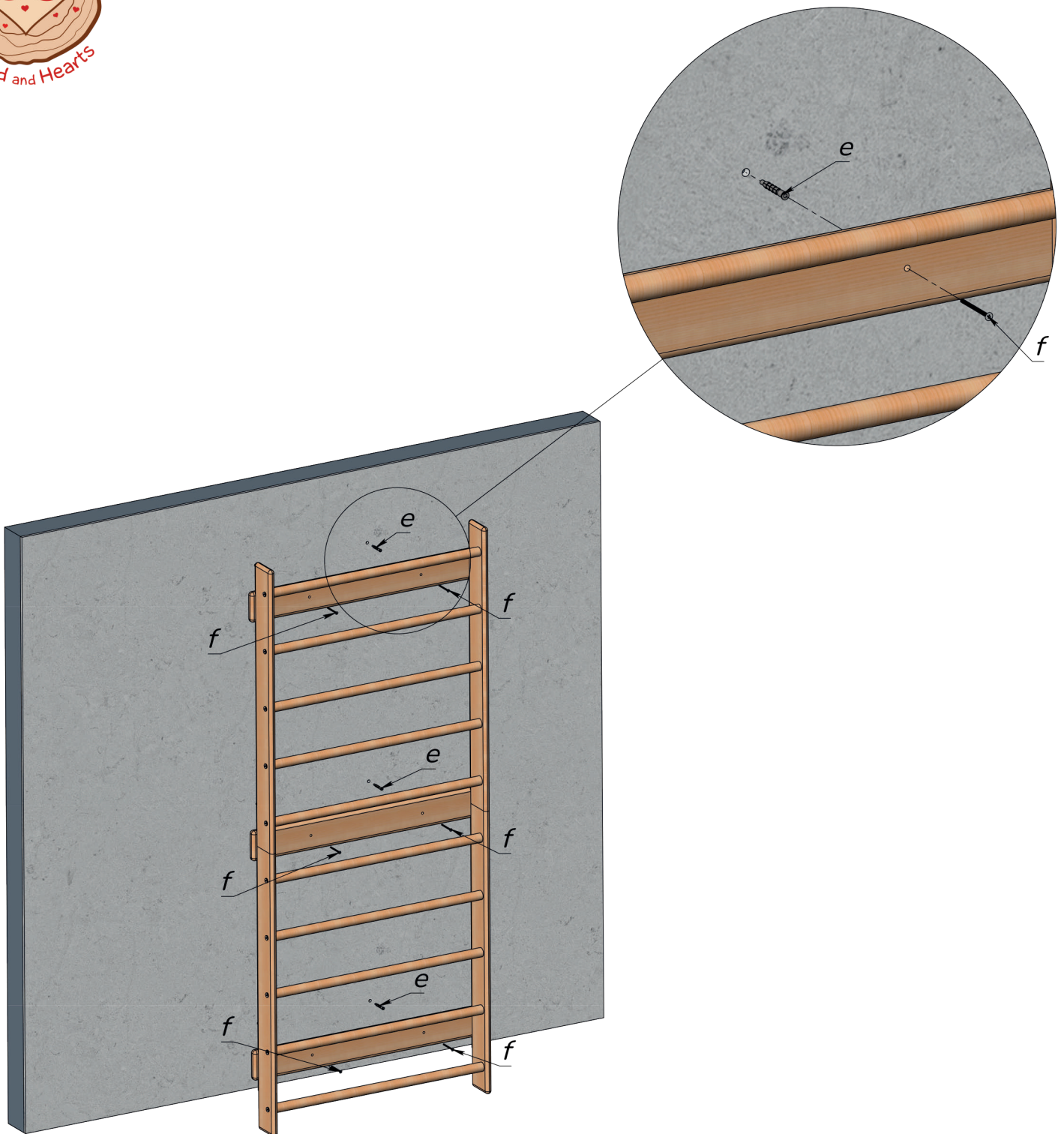


Pic.10

If you have a drywall wall, the Swedish Ladder should only be attached to a wooden frame

Fasten the assembled Swedish Ladder to the wooden frame using self-tapping screw (f) (see Pic. 10)

Concrete wall mount



Pic.11

Fasten the Swedish Ladder to the concrete wall with the help of dowels (e) and selftapping screws (f) (see Pic. 11)

**To be used for its intended purpose only and under the direct supervision of an adult!
All the responsibility for children's injuries received during games on the furniture lies
on adults watching after them. Always be viginalt during children's games!**