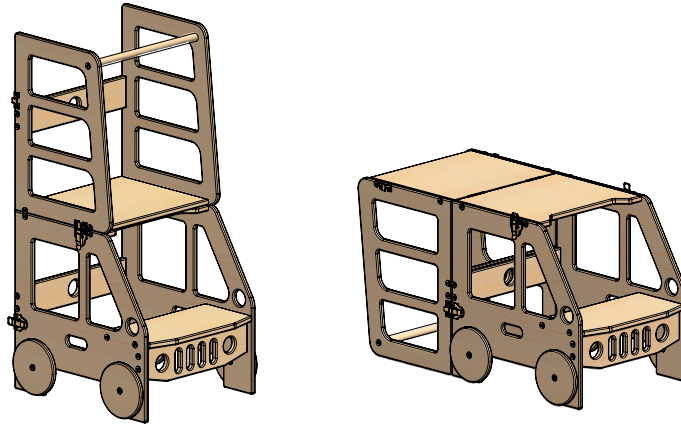
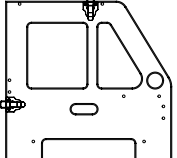
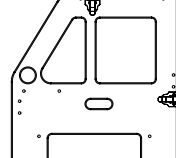
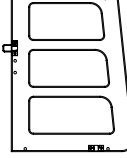
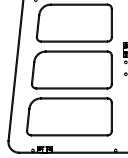
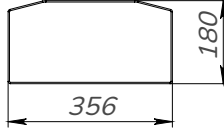
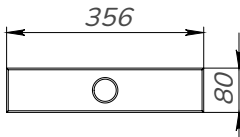
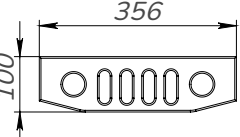
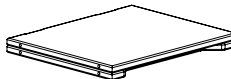
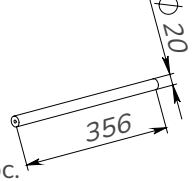
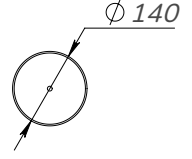
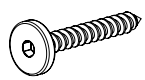

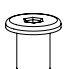
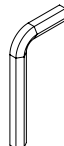
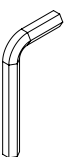
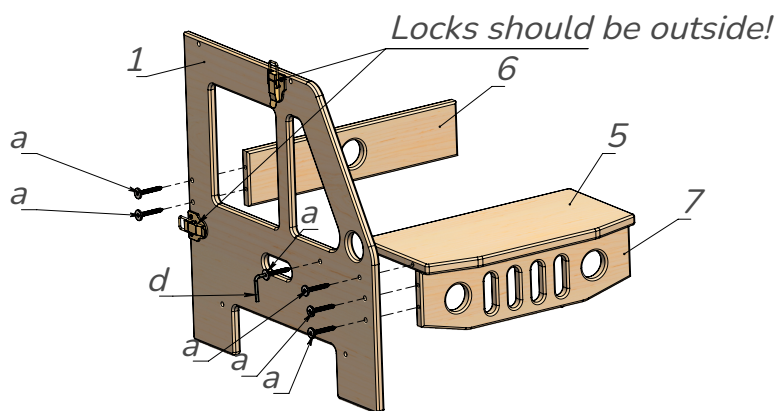


# Truck-shaped learning chair



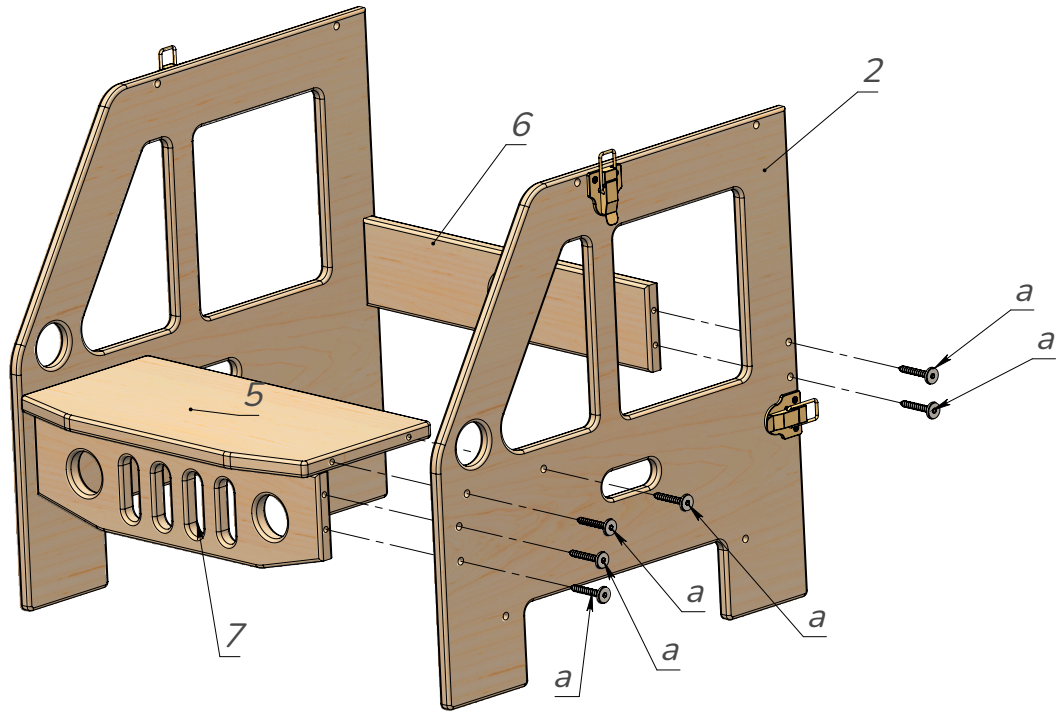
## ASSEMBLY DETAILS

1 - Left lower sidewall  1 pc.	2 - Right lower sidewall  1 pc.	3 - Left upper sidewall  1 pc.	4 - Right upper sidewall  1 pc.	5 - Seat  1 pc.
6 - Lintel  2 pcs.	7 - Front lintel  1 pc.	8 - Tabletop  2 pcs. connected	9 - Nog  1 pc.	10 - Wheel  4 pcs.
a - Screw 6.3x40  26 pcs. + 2 spare	b - Screw M6x20  4 pcs. + 1 spare	c - Erickson nut M6x9  4 pcs. + 1 spare	d - 4 mm hex key  1 pc.	e - 5 mm hex key  1 pc.



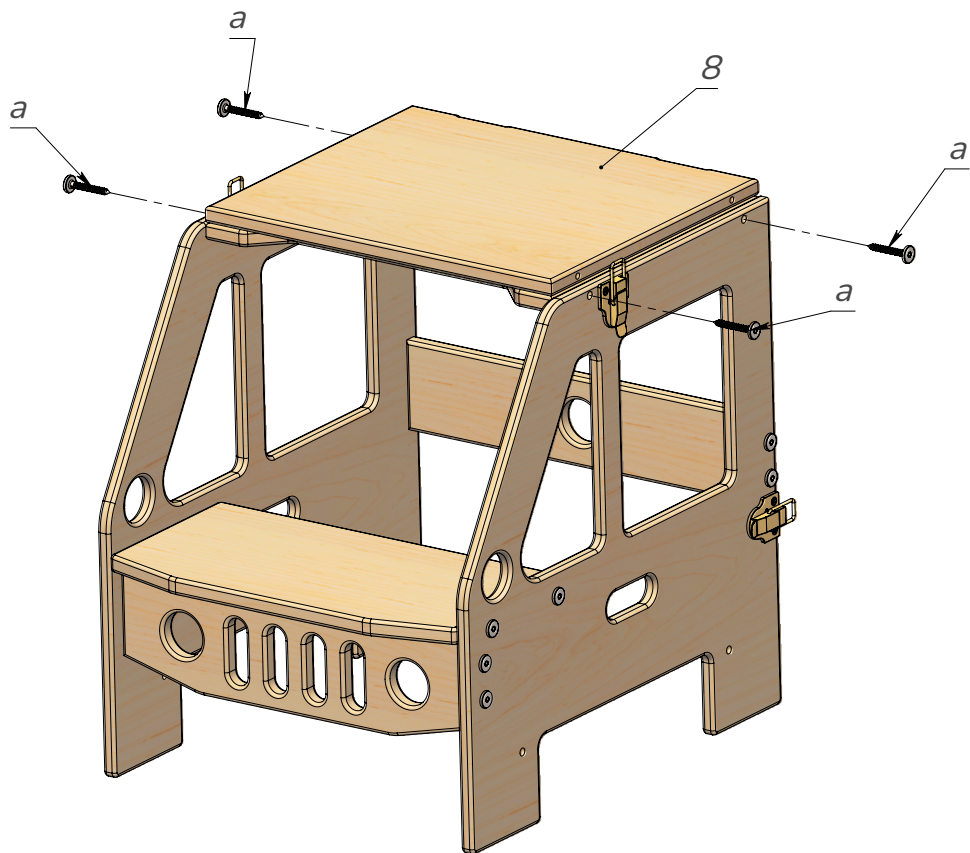
Pic. 1

Take the left lower sidewall (1) and using the screws (a) and hex key (d), attach the seat (5), common lintel (6), and front lintel (7). See Pic.1.



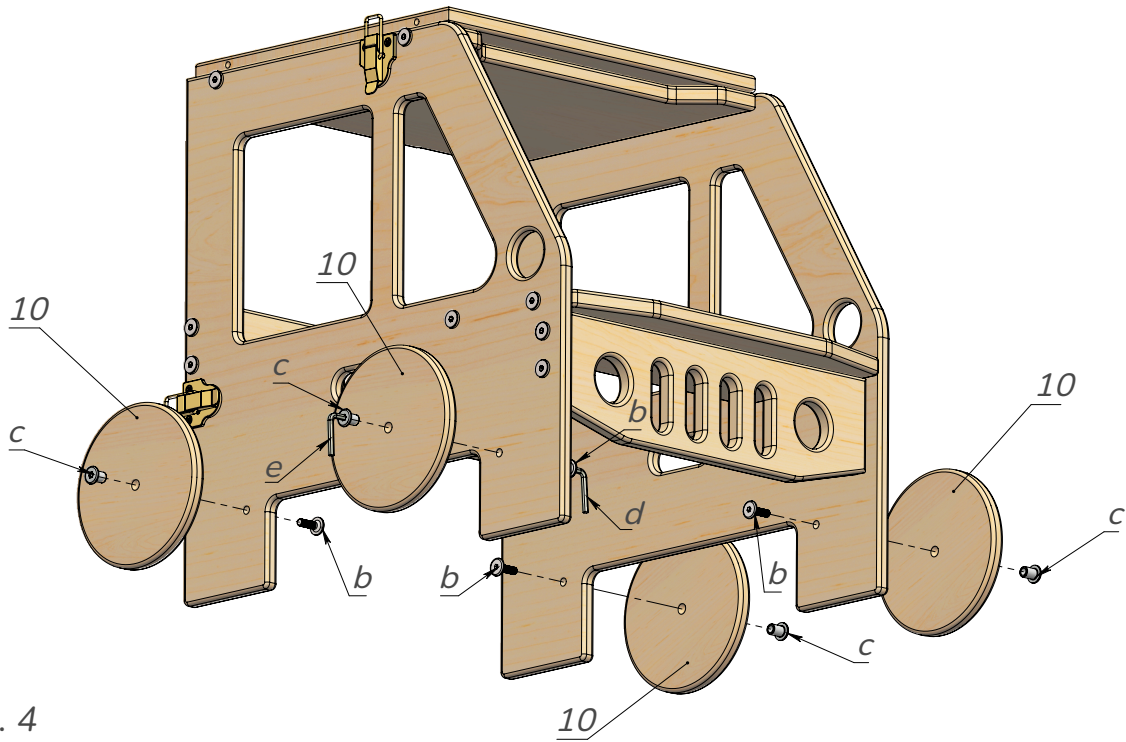
Pic. 2

Attach the right lower sidewall (2) with the help of screws (a) and hex key (d) in a similar way. See Pic.2.



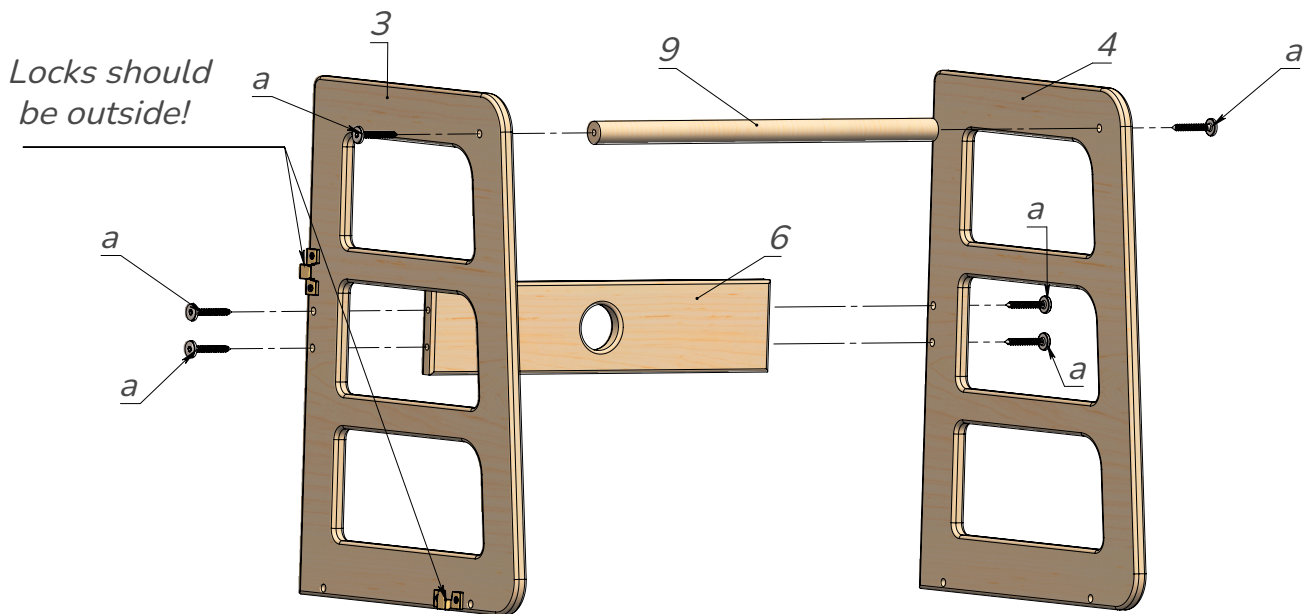
Pic. 3

To the previously assembled construction attach the tabletop (8) using the screws (a) and hex key (d). See Pic. 3.



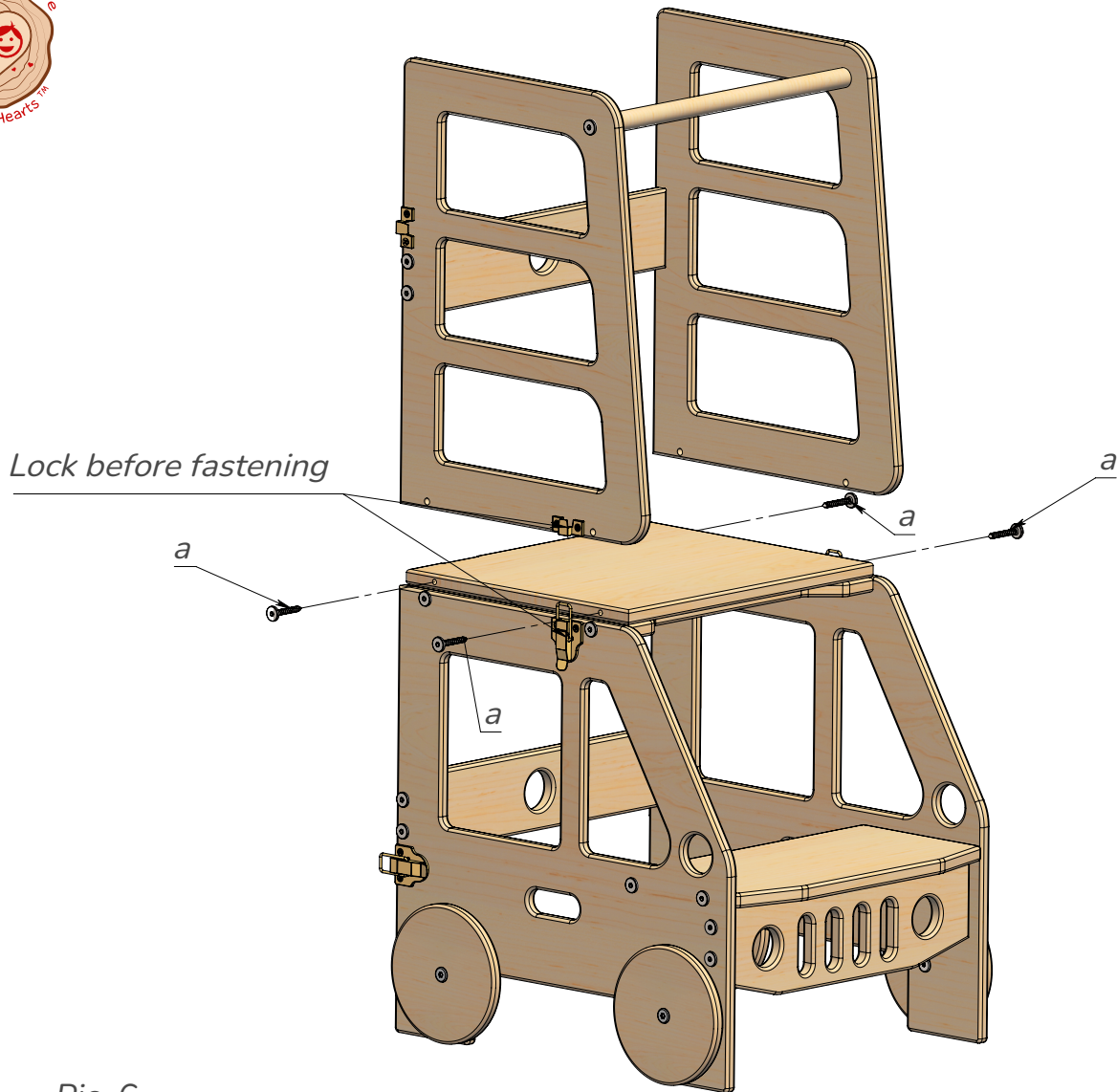
Pic. 4

Attach the wheels (10) to the previously assembled construction using the screw (b), holding it with the key (d). Fix the screw with the nut (c) from another side with hex key (e). See Pic. 4.



Pic. 5

Using the screws (a) and hex key (d) attach the left upper sidewall (3), right upper sidewall (4), common lintel (6), and a nog (9). See Pic. 5.



Pic. 6

Join the semi-products depicted in the Pic. 4,5 using the screws (a) and hex key (d). See Pic. 6.



The products is meant for indoor use only.  
To be used for its intended purpose only and under  
the direct supervision of an adult!  
All the responsibility for children's injuries received during  
games on the furniture lies on adults watching after them.

Always be vigilant during children's games!