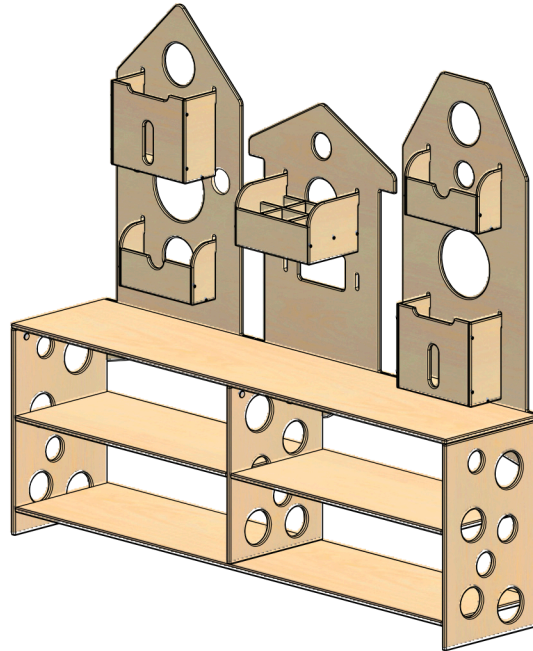


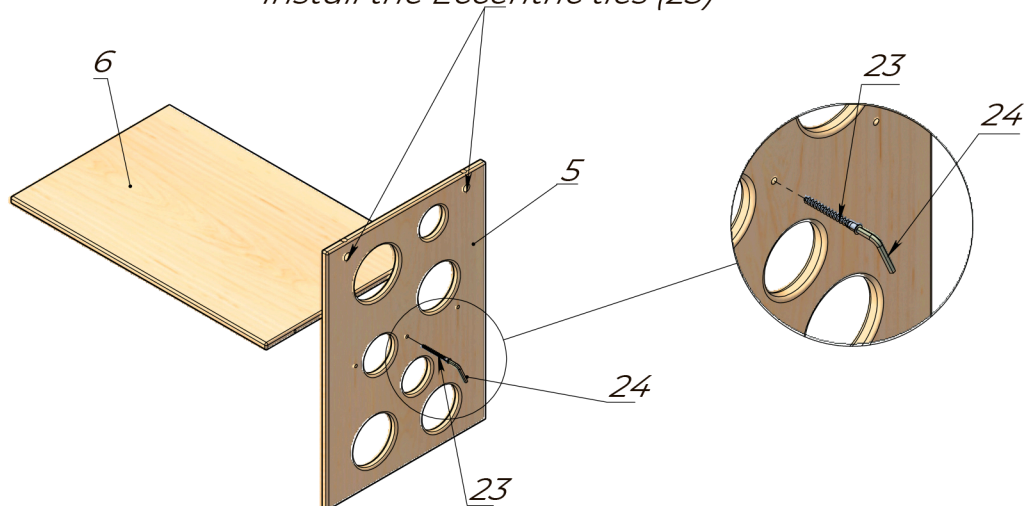
Shelf "Trees and Houses" wide



Assembly details

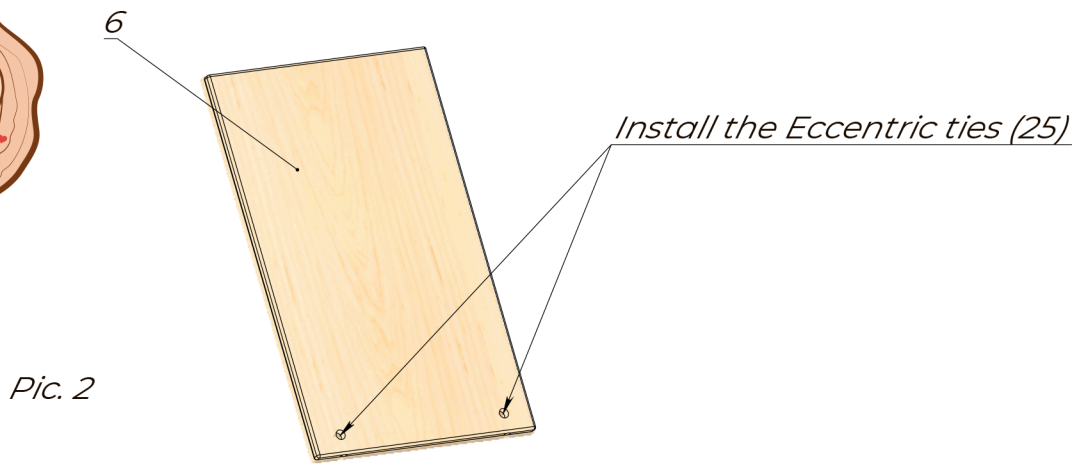
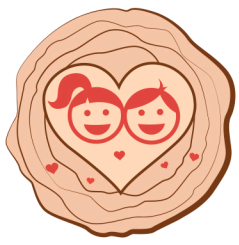
<p>1 - Upper cover</p> <p>1 pc.</p>	<p>2 - Left sidewall</p> <p>1 pc.</p>	<p>3 - Right sidewall</p> <p>1 pc.</p>	<p>4 - Lower base</p> <p>1 pc.</p>	<p>5 - Middle wall</p> <p>1 pc.</p>	<p>6 - Shelf</p> <p>2 pcs.</p>	<p>7 - Decor 1</p> <p>1 pc.</p>
<p>8 - Decor 2</p> <p>1 pc.</p>	<p>9 - Decor 3</p> <p>1 pc.</p>	<p>10 - Facade of the drawer 1</p> <p>2 pcs.</p>	<p>11 - Left sidewall of the drawer 1</p> <p>2 pcs.</p>	<p>12 - Right sidewall of the drawer 1</p> <p>2 pcs.</p>	<p>13 - Base plank of the drawer 1</p> <p>4 pcs.</p>	<p>14 - Left sidewall of the drawer 2</p> <p>2 pcs.</p>
<p>15 - Right sidewall of the drawer 2</p> <p>2 pcs.</p>	<p>16 - Facade of the drawer 2</p> <p>2 pcs.</p>	<p>17 - Base plank of the drawer 2</p> <p>2 pcs.</p>	<p>18 - Long lintel</p> <p>1 pc.</p>	<p>19 - Short lintel</p> <p>2 pcs.</p>	<p>20 - Lower plank of the drawer 3</p> <p>1 pc.</p>	<p>21 - Left sidewall of the drawer 3</p> <p>1 pc.</p>
<p>22 - Right sidewall of the drawer 3</p> <p>1 pc.</p>	<p>23 - Confirmat screws 5x40</p> <p>42 pcs.</p>	<p>24 - 3 mm Hex key</p> <p>1 pc.</p>	<p>25 - Set of Minifixes</p> <p>14 pcs.</p>	<p>26 - Screwdriver</p> <p>1 pc.</p>		

Install the Eccentric ties (25)



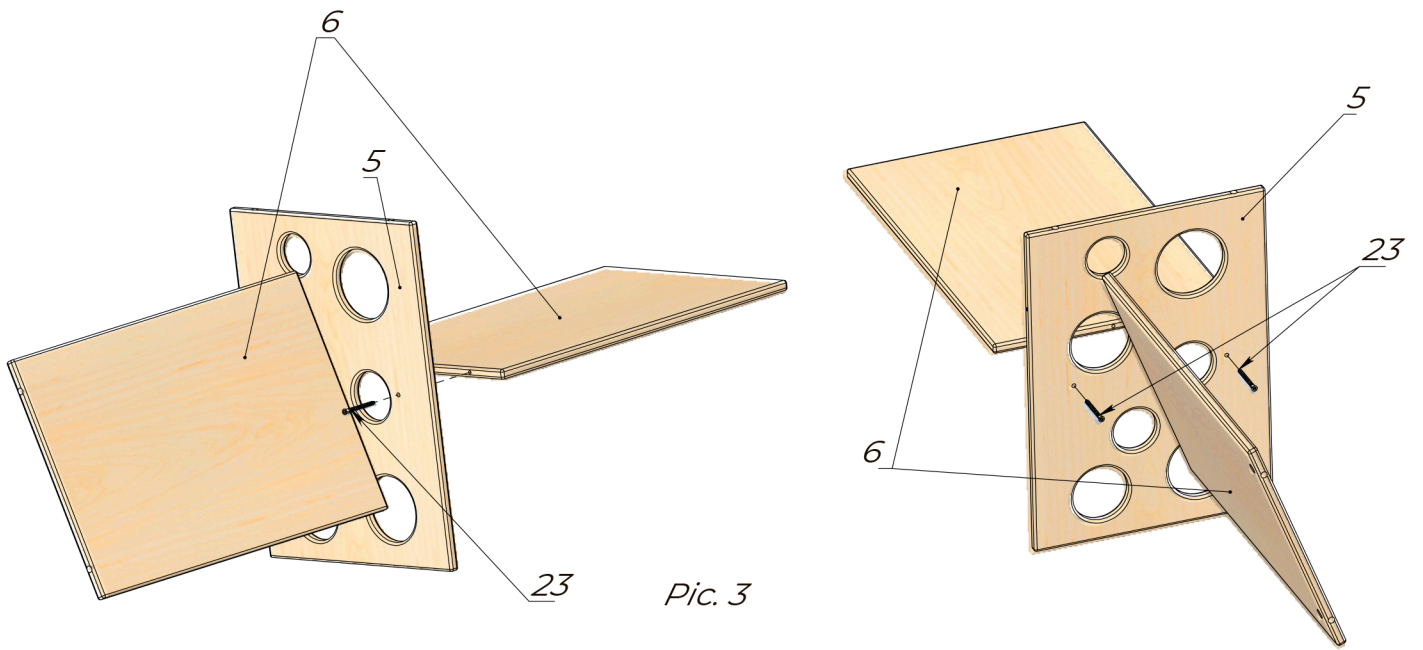
Pic. 1

Take the Middle wall (5) and using the Confirmat screws (23) and a hex key (24), connect the Shelf (6) to it. Then install the Eccentric ties (25) into the Middle wall (5). See Pic.1.

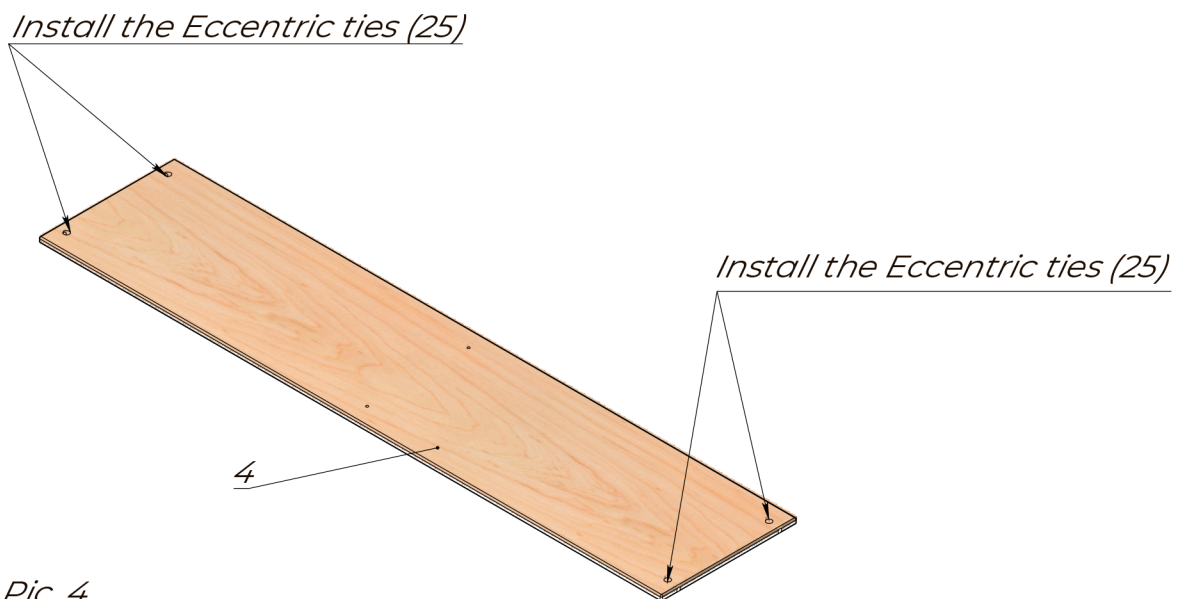


Pic. 2

Install the Eccentric ties (25) into both Shelves (6). See Pic.2

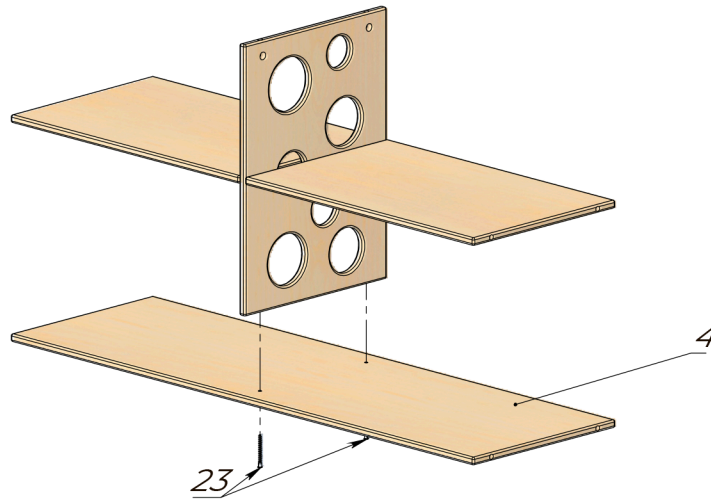
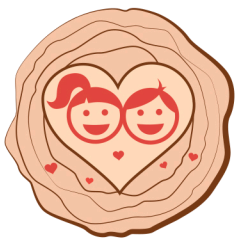


Rotate the Shelf (6) at the previously assembled construction as it is shown in the picture. Connect another Shelf (6) to the Middle wall (5) using the Confirmat screws (23). See Pic.3



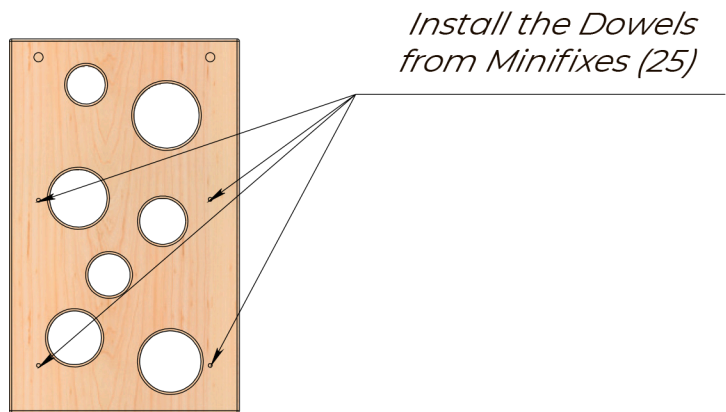
Pic. 4

Install the Eccentric ties (25) into the Lower base (4). See Pic. 4



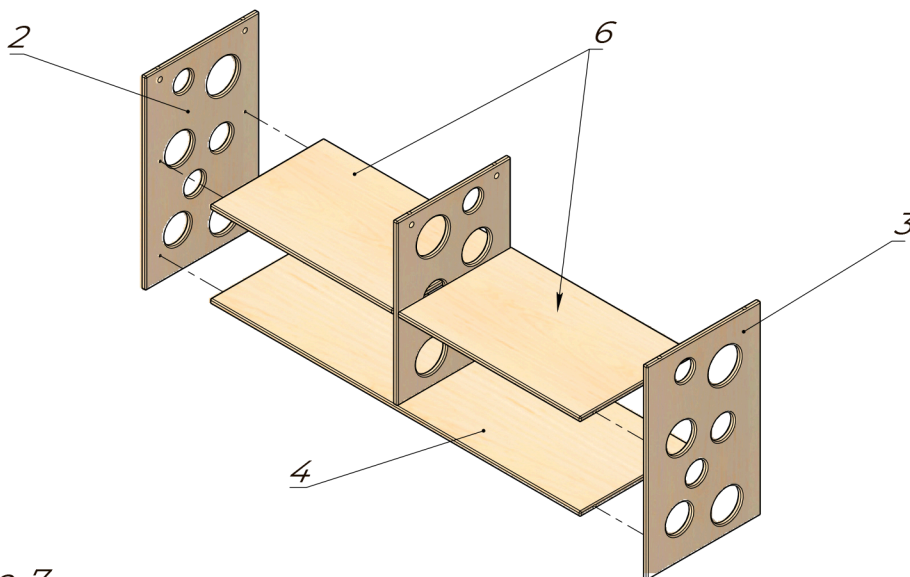
Pic. 5

Fix the Lower base (4) using the Confirmat screws (23) and a Hex key (24) as shown in the picture. See Pic.5.



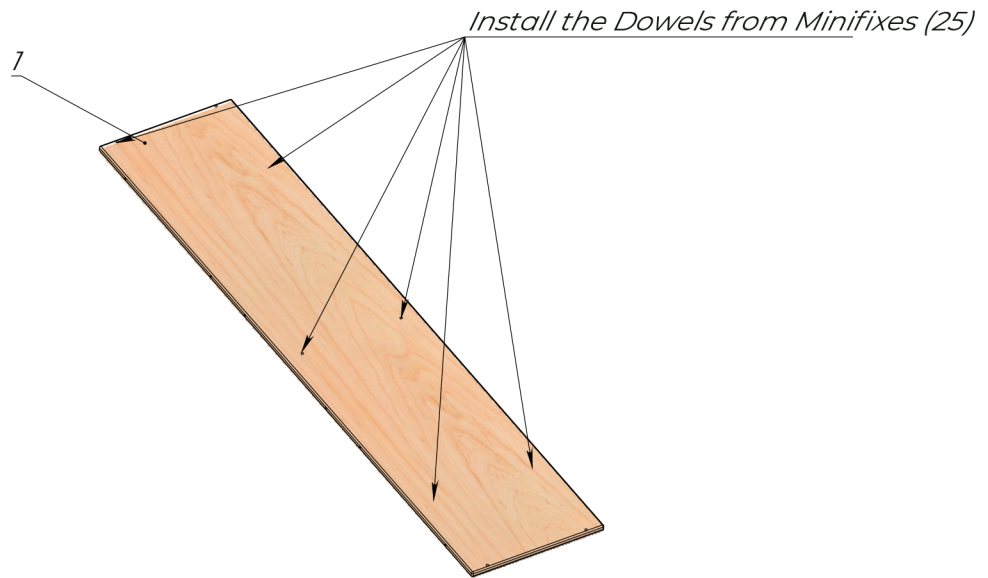
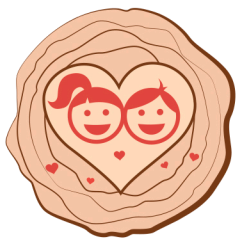
Pic. 6

Install the Dowels from Minifixes (25) into the Sidewalls (2,3) using the Screwdriver (26). See Pic.6



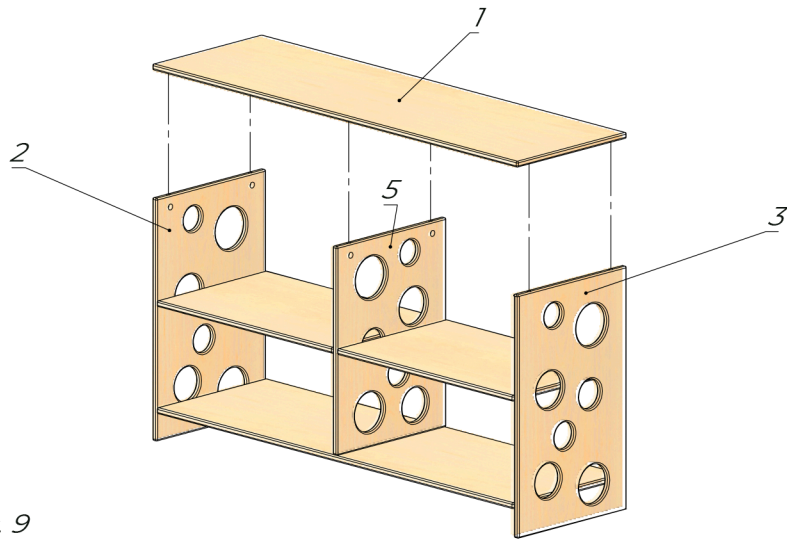
Pic. 7

Take the previously assembled construction and connect the Sidewalls (2,3) to it. Close the Eccentric ties in Lower base (4) and Shelves (6) using the Screwdriver (26). See Pic.7



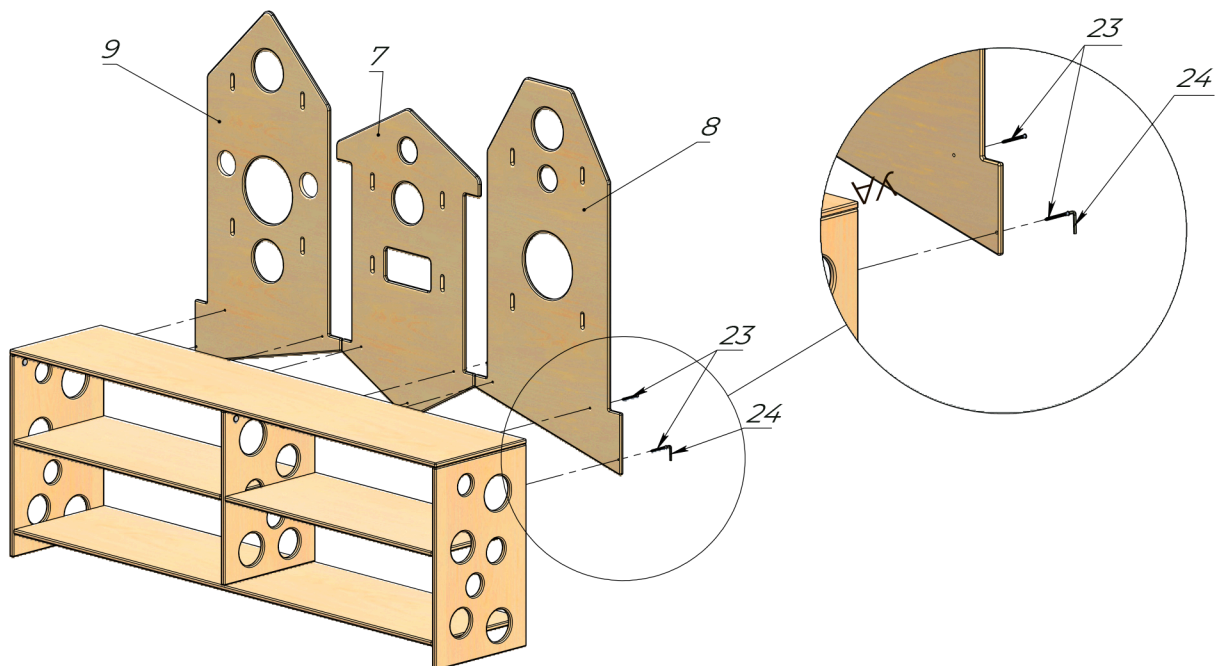
Pic. 8

Install the Dowels from Minifixes (25) into the Upper cover (1) using the Screwdriver (26). See Pic. 8



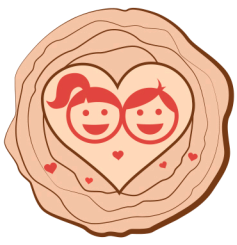
Pic. 9

Put the Upper cover (1) onto the previously assembled construction, and close all the Eccentric ties (25) on the Upper cover (1), Walls (2,3,5) with the Screwdriver (26). See Pic.9

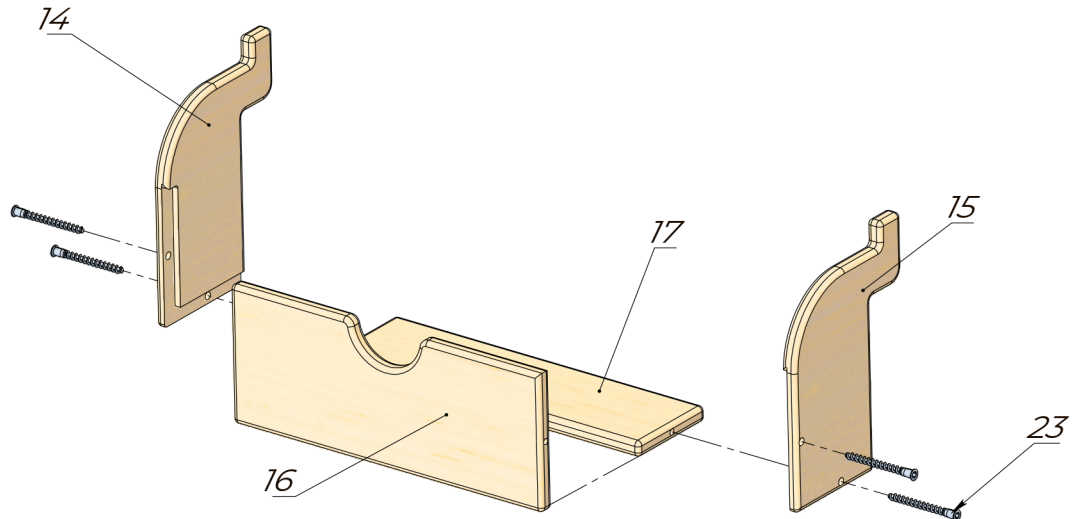


Pic. 10

Start with the Drawer 2. Take one of the Sidewalls of the drawer 2 (14/15) and using the Confirmat screws (23) connect the Facade (16) and Lower drawer plank (17) to it. Then screw another sidewall to the assembled construction. See Pic. 11

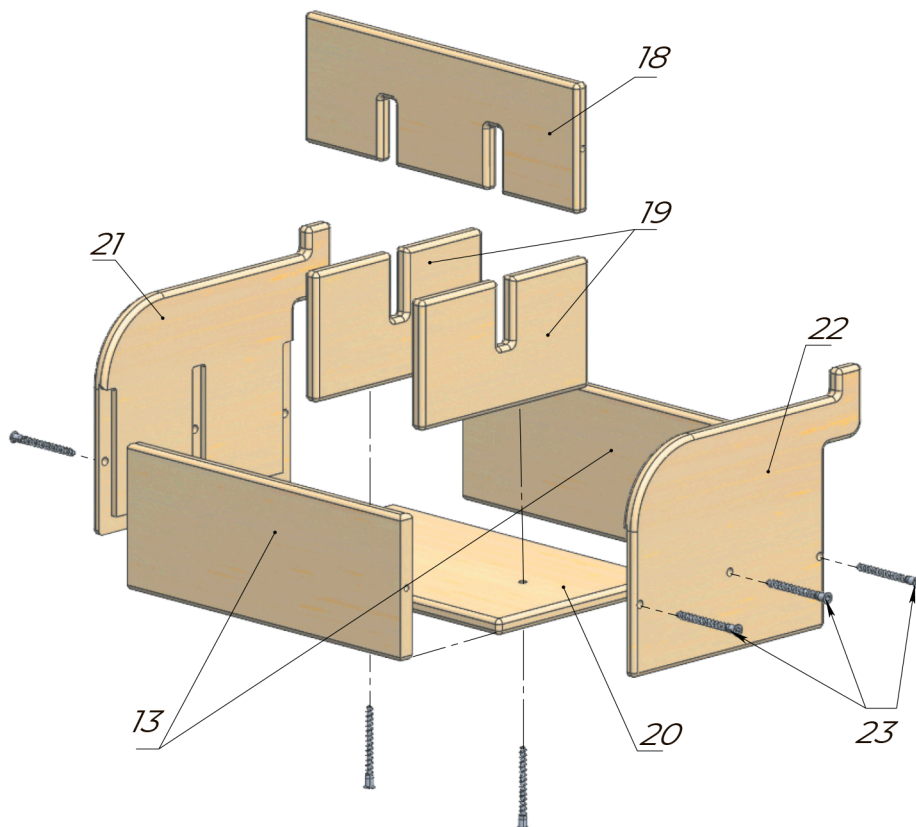


*Proceed with assembling the drawers:*



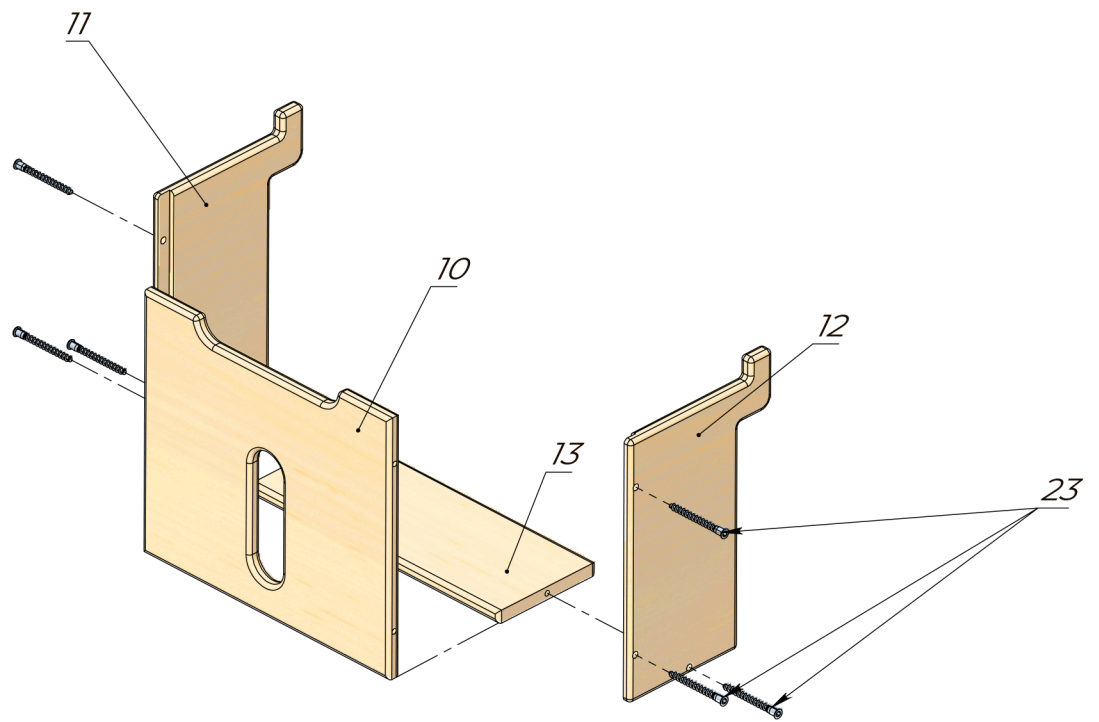
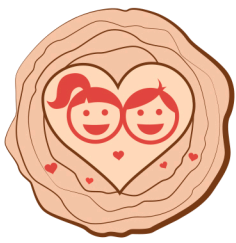
*Pic. 11*

*Start with the Drawer 2. Take one of the Sidewalls of the drawer 2 (14/15) and using the Confirmat screws (23) connect the Facade (16) and Lower drawer plank (17) to it. Then screw another sidewall to the assembled construction. See Pic. 11*



*Pic. 12*

*Take one of the Sidewalls of the drawer 3 (21/22) and using the Confirmat screws (23), connect the Lower plank of the drawer (13) to it. Then locate the Short lintels (19) on the Lower plank (20), fix them with the Confirmat screws and put the Short lintels (18) into the grooves in the Long lintel (19). Now connect the assembled construction to one of the Sidewalls (21/22). Another Sidewall is to be connected further. See Pic. 12*



*Pic. 13*

Now move to the drawer 1. To one of the Sidewalls of the drawer 1 (11/12) connect the Facade of the drawer (10) and the Base plank (13) using the Confirmat screws (23) and Hex key (24). Finish with another Sidewall of the drawer (11/12). See Pic. 13

**To be used under the direct supervision of an adult only.  
Always be vigilant during children's games**

**Have any questions? Contact us: [support@woodandhearts.com](mailto:support@woodandhearts.com)**