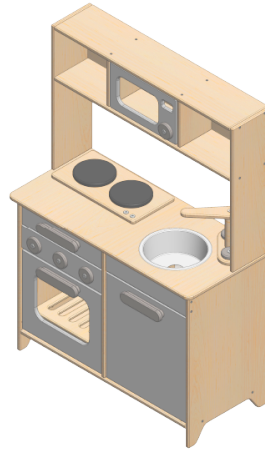
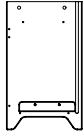
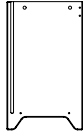
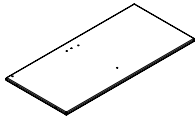
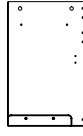
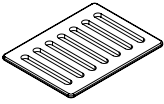
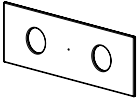
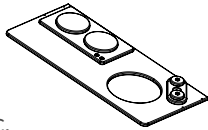
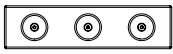
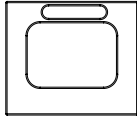
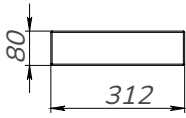

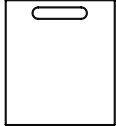
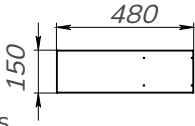
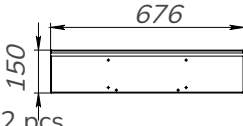
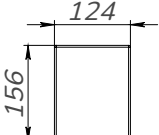
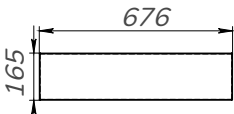
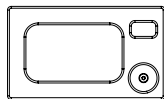
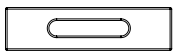
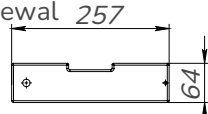
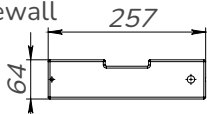
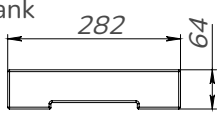
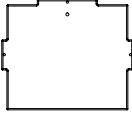
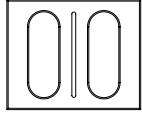



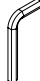

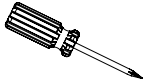

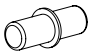
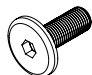
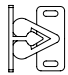
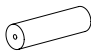

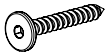
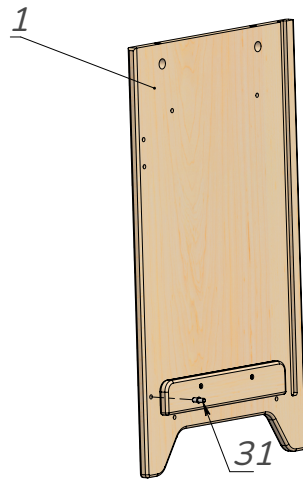


# Toy kitchen "Creative cooking"



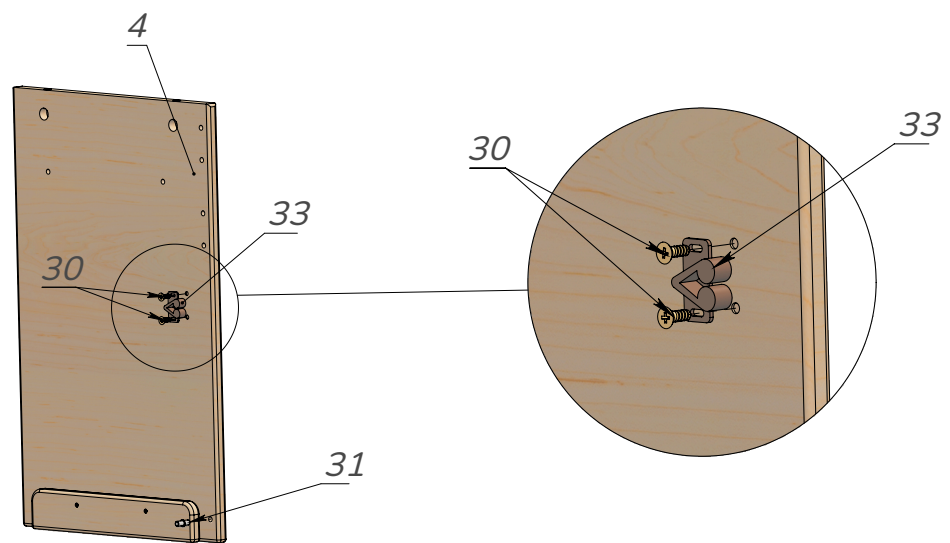
## ASSEMBLY DETAILS

<p>1 - Left sidewall</p>  <p>1 pc.</p>	<p>2 - Right sidewall</p>  <p>1 pc.</p>	<p>3 - Lower base</p>  <p>1 pc.</p>	<p>4 - Lintel</p>  <p>1 pc.</p>	<p>5 - Baking tray</p>  <p>1 pc.</p>	
<p>6 - Back wall</p>  <p>2 pcs.</p>	<p>7 - Tabletop</p>  <p>1 pc.</p>	<p>8 - Front panel</p>  <p>1 pc.</p>	<p>9 - Owen door</p>  <p>1 pc.</p>	<p>10 - Plank</p>  <p>1 pc.</p>	
<p>11 - Kitchen sink</p>  <p>1 pc.</p>	<p>12 - Cabinet door</p>  <p>1 pc.</p>	<p>13 - Upper sidewall</p>  <p>2 pcs.</p>	<p>14 - Upper plank</p>  <p>2 pcs.</p>	<p>15 - Upper lintel</p>  <p>2 pcs.</p>	
<p>16 - Upper back wall</p>  <p>1 pc.</p>	<p>17 - Microwave oven door</p>  <p>1 pc.</p>	<p>18 - Drawer facade</p>  <p>1 pc.</p>	<p>19 - Left drawer sidewal</p>  <p>1 pc.</p>	<p>20 - Right drawer sidewall</p>  <p>1 pc.</p>	
<p>21 - Drawer back plank</p>  <p>1 pc.</p>	<p>22 - Lower drawer plank</p>  <p>1 pc.</p>	<p>23 - Under drawer plank</p>  <p>1 pc.</p>	<p>24 - «Ericson» nut</p>  <p>2 pcs.</p>	<p>25 - Confirmat screw 5x40</p>  <p>45 pcs.</p>	
<p>26 - 3 mm hex key</p>  <p>1 pc.</p>	<p>27 - 4 mm hex key</p>  <p>2 pcs.</p>	<p>28 - Set of minifixe</p>  <p>8 pcs.</p>	<p>29 - Screwdriver</p>  <p>1 pc.</p>	<p>30 - Self-tapping screw 3x12 mm</p>  <p>12 pcs.</p>	
<p>31 - Shelf holder</p>  <p>6 pcs.</p>	<p>32 - Screw with a flat head M6x20</p>  <p>2 pcs.</p>	<p>33 - Plastic lock</p>  <p>3 pcs.</p>	<p>34 - Tap base</p>  <p>1 pc.</p>	<p>35 - Upper part of the tap</p>  <p>1 pc.</p>	<p>36 - Screw 6.3x40</p>  <p>2 pcs.</p>



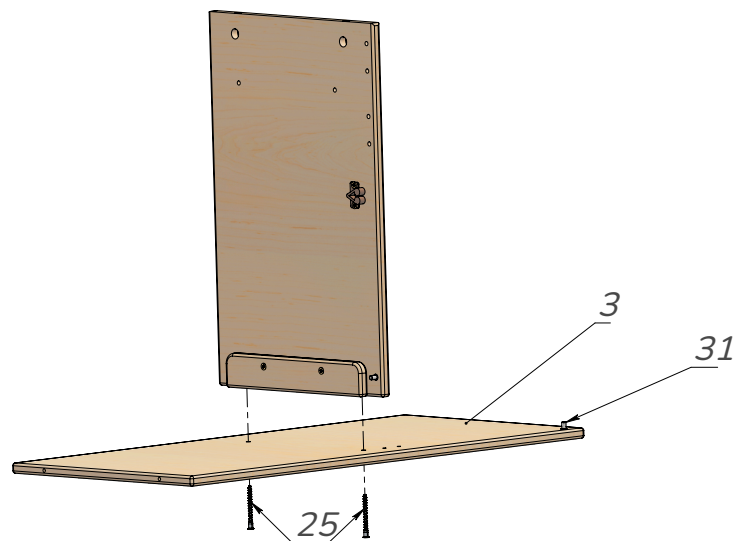
Pic. 1

Take the Left sidewall (1) and install the Shelf-holders (31) as shown in the picture 1.



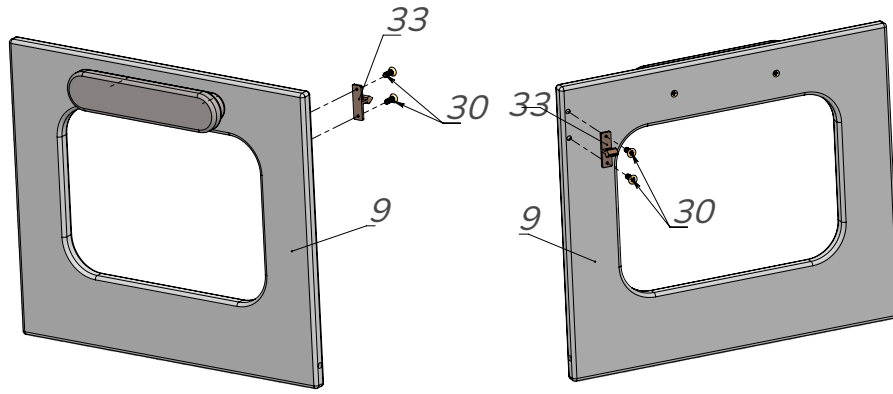
Pic. 2

Take the Lintel (4) and using the Self-tapping screws (30), connect the Plastic lock (33) and install the Shelf-holder (31). See Pic. 2



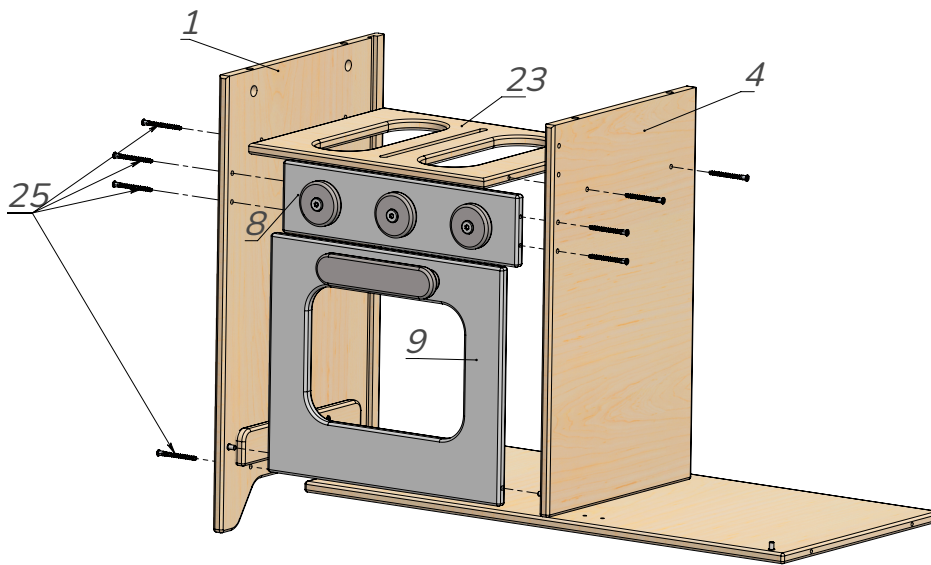
Pic. 3

Using the Confirmat screws (25) and 3 mm hex key (26), connect the Lower base (3) to the previously assembled construction. Then insert the Shelf-holder (31). See Pic. 3



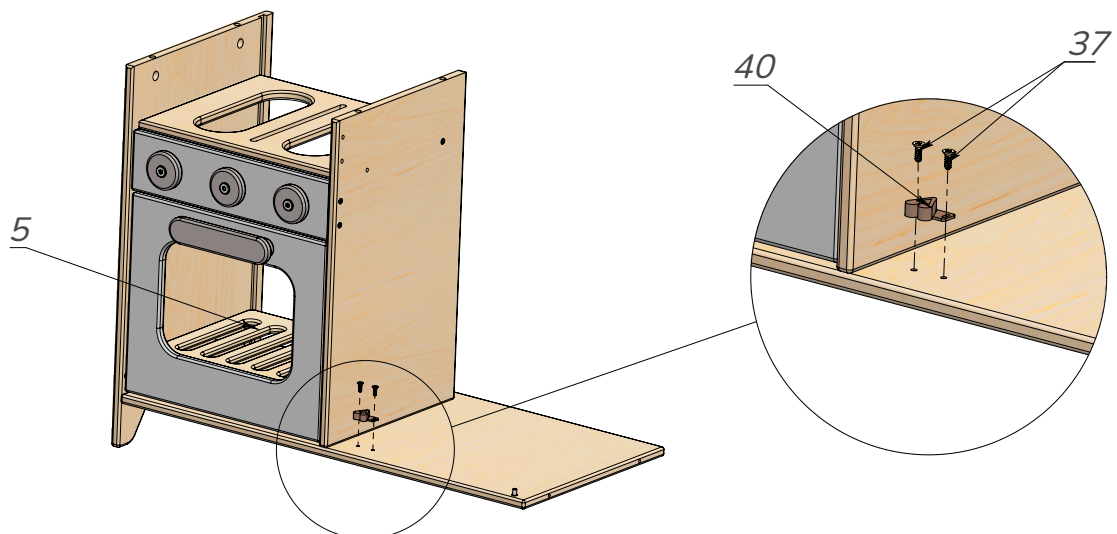
Pic. 4

Now take the Owen door (9) and using the Self-tapping screws (30) and a Screwdriver(29), connect the Plastic locks (33). See Pic.4



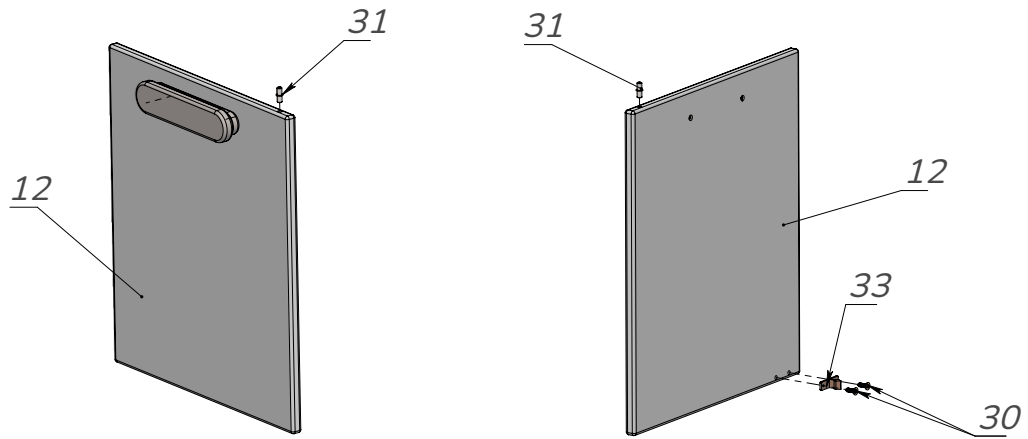
Pic. 5

Take the lintel (4) and using the confirmats (25), a key (26) and connect it to the front panel (8) and a plank (23). Put the oven doors (9) onto the shelf holder (31) and onto the lintel (4) fasten the sidewall (1) with the confirmats (25). See Pic. 5.



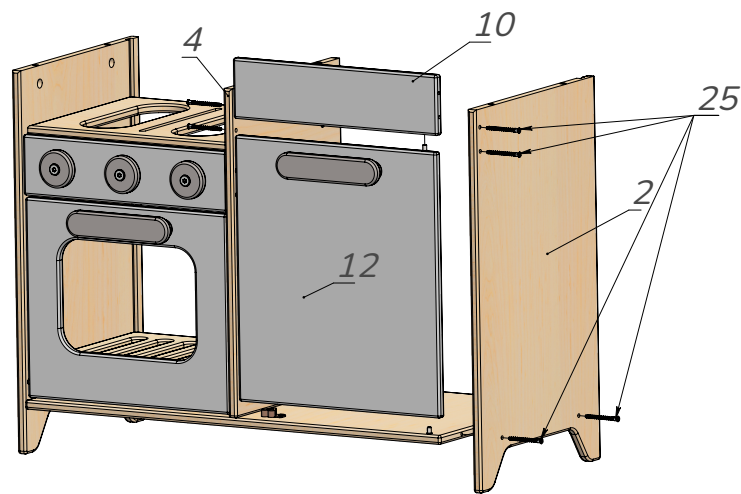
Pic. 6

Using the Self-tapping screws (30) and a Screwdriver (29), fix the Lock (33). Then install the Baking tray (5). See Pic. 6.



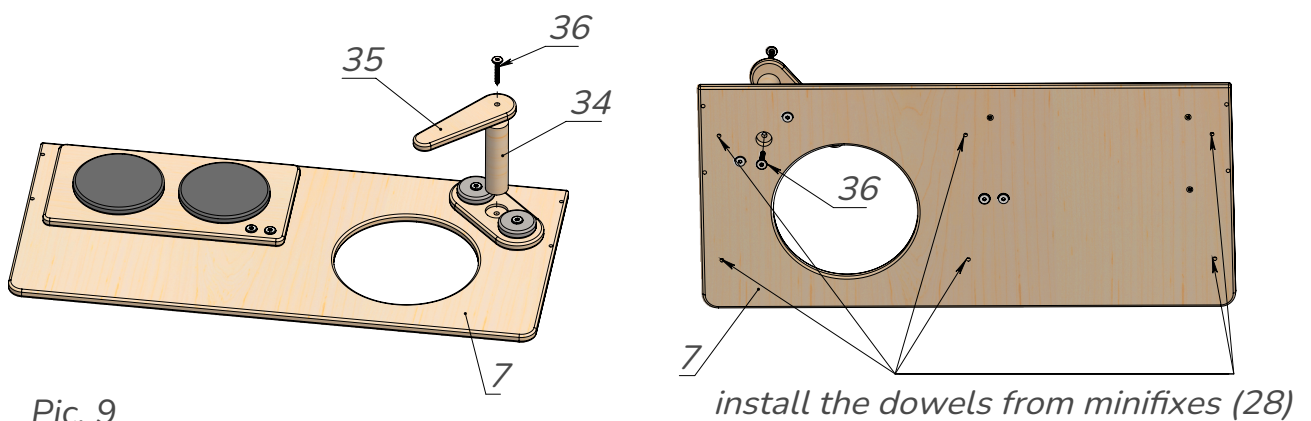
Pic. 7

Take the Cabinet door (12) and fix the Lock (33) with the Screws (30).  
Insert the Shelf-holders (31). See Pic. 7



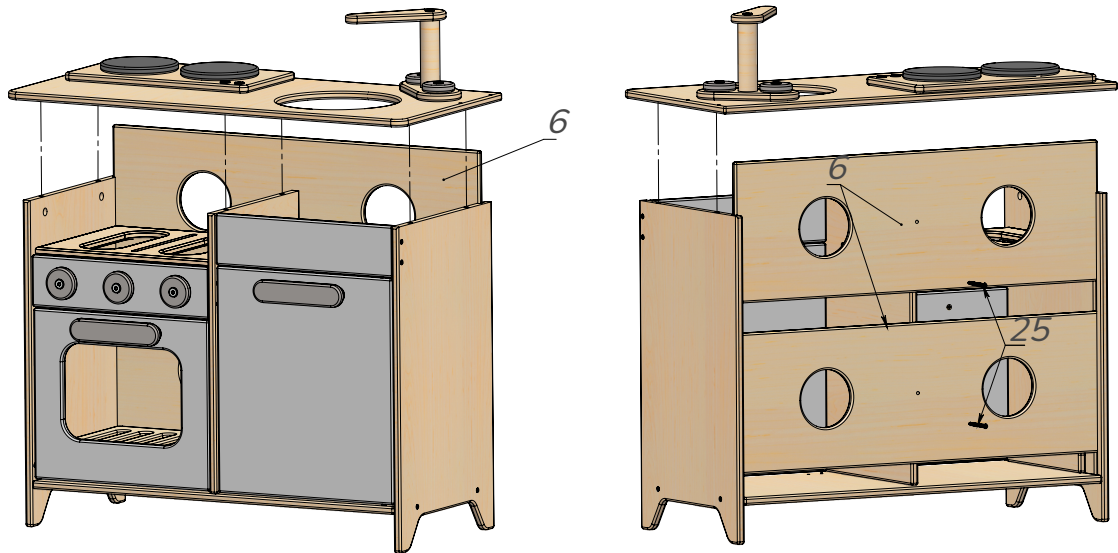
Pic. 8

Locate the Cabinet door (12) on the Shelf-holder (31) on the Lower base (3).  
Then install the Plank (10) and screw with the Confirmar screws (25) from  
the side of a Lintel (4). 'Connect the Right sidewall (2) to the assembled  
structure with the Confirmat screws (25). See Pic. 8



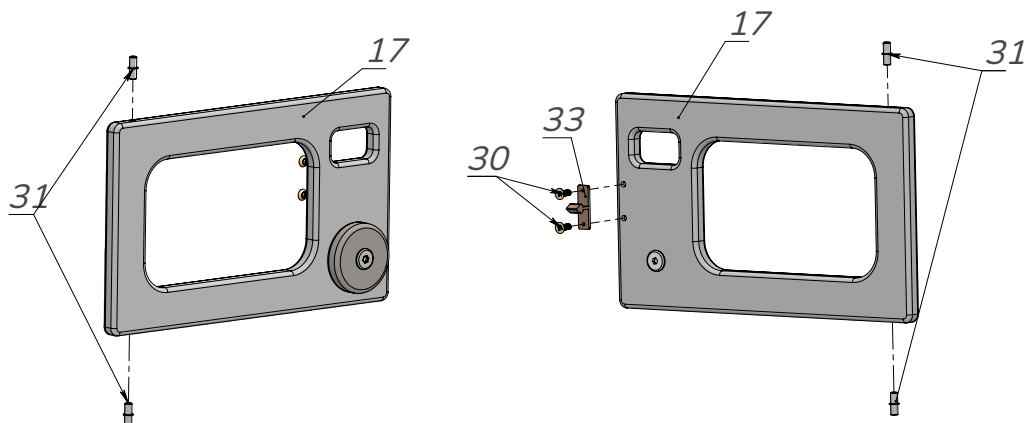
Pic. 9

Take the Tabletop (7) and using the Screwdriver (29), screw the dowels  
from Minifixes (28). Then assemble together the tap base (34) and (35)  
using the screws (36) and a key (27) and connect it to the tabletop.  
See Pic. 9



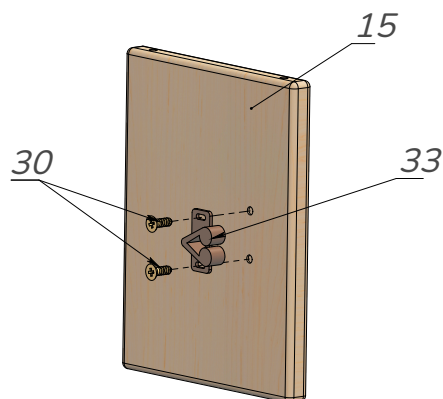
Pic. 10

Insert the Back walls (6) into the gooved of Sidewalls (1,2) and screw them with the Confirmat screws (25). Then install the Tabletop (7) onto the previously assembled construction and close the Eccentrics (28) on the Sidewalls (1,2) and a Lintel (4) clockwise. See Pic.10



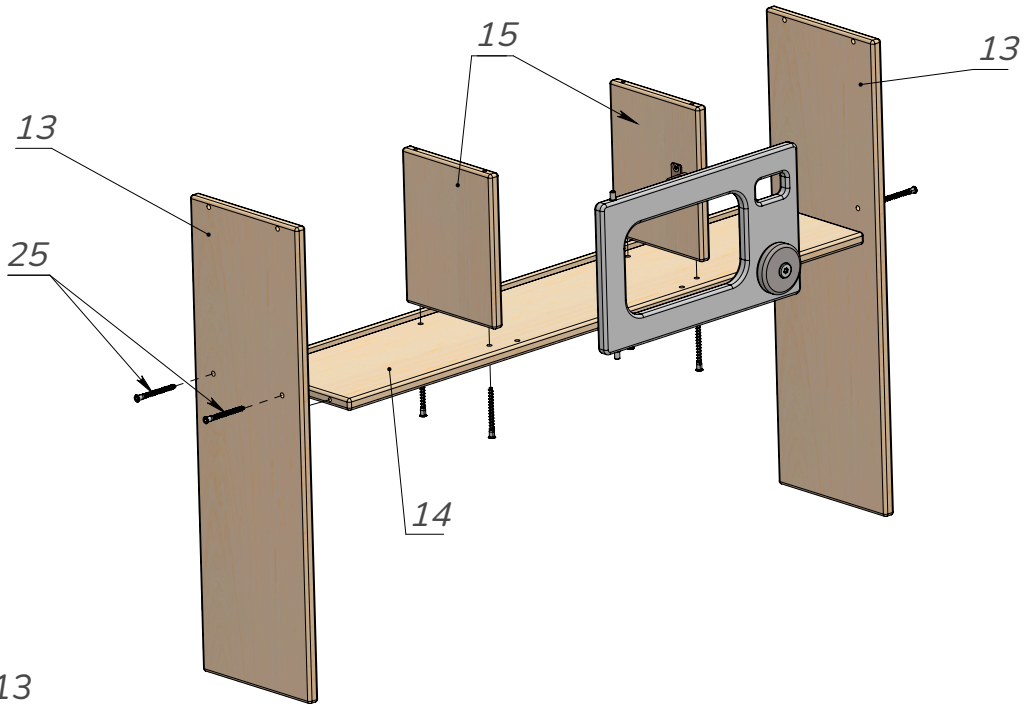
Pic. 11

Take the Microwave oven door (17) and using the Self-tapping screws (30), fix the Lock (33). Above and beneath the doors (17), insert the Shelf-holders (31). See Pic. 11



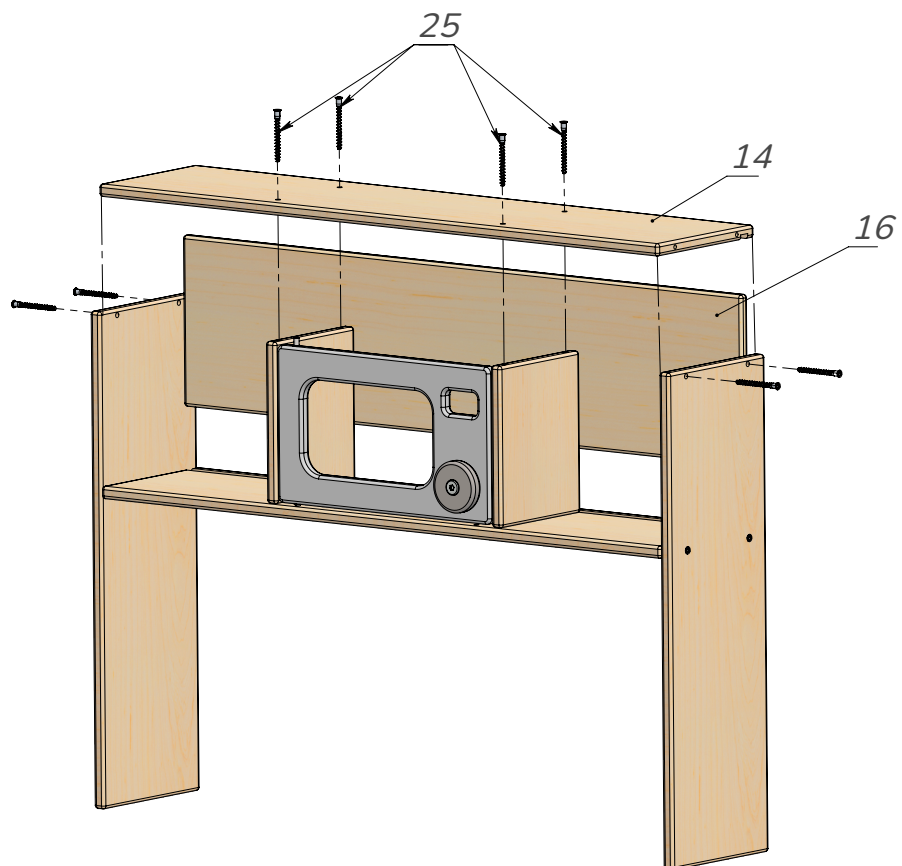
Pic. 12

Connect the lock to one of the Upper lintels (15) with the Screws (30) and fasten the lock (33). See Pic. 12



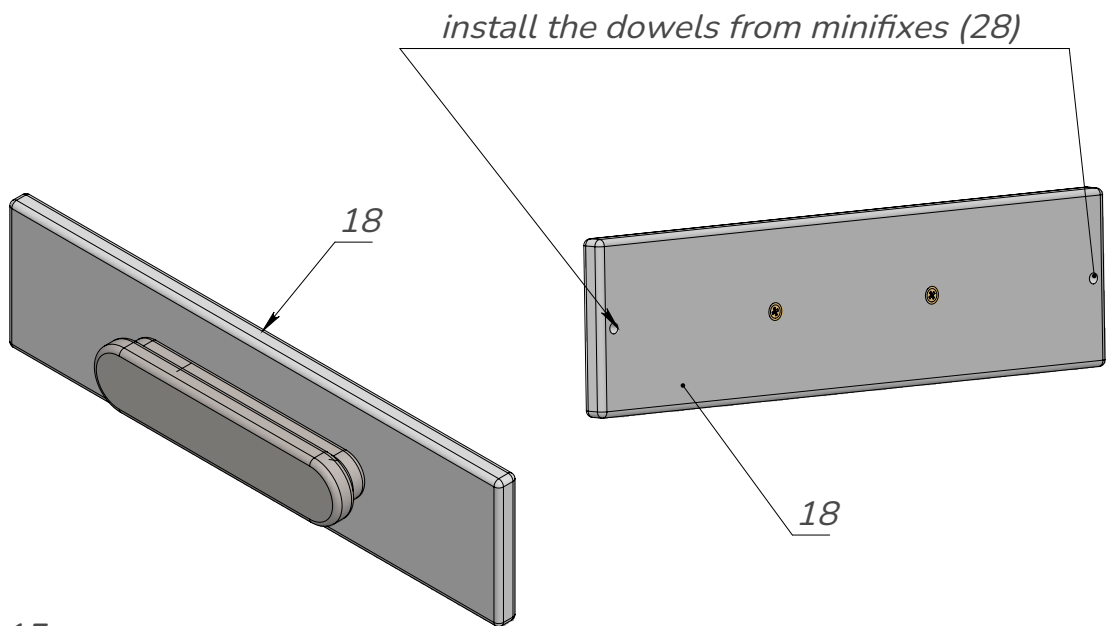
Pic. 13

Connect the Upper lintels (15) to one of the Upper planks (14), using the Confirmat screws (25). Then connect the Upper sidewalls (13) the same way using the screws (25). Insert the Microwave oven door (17) with the Shelf-holder into the Upper plank (14). See Pic.13



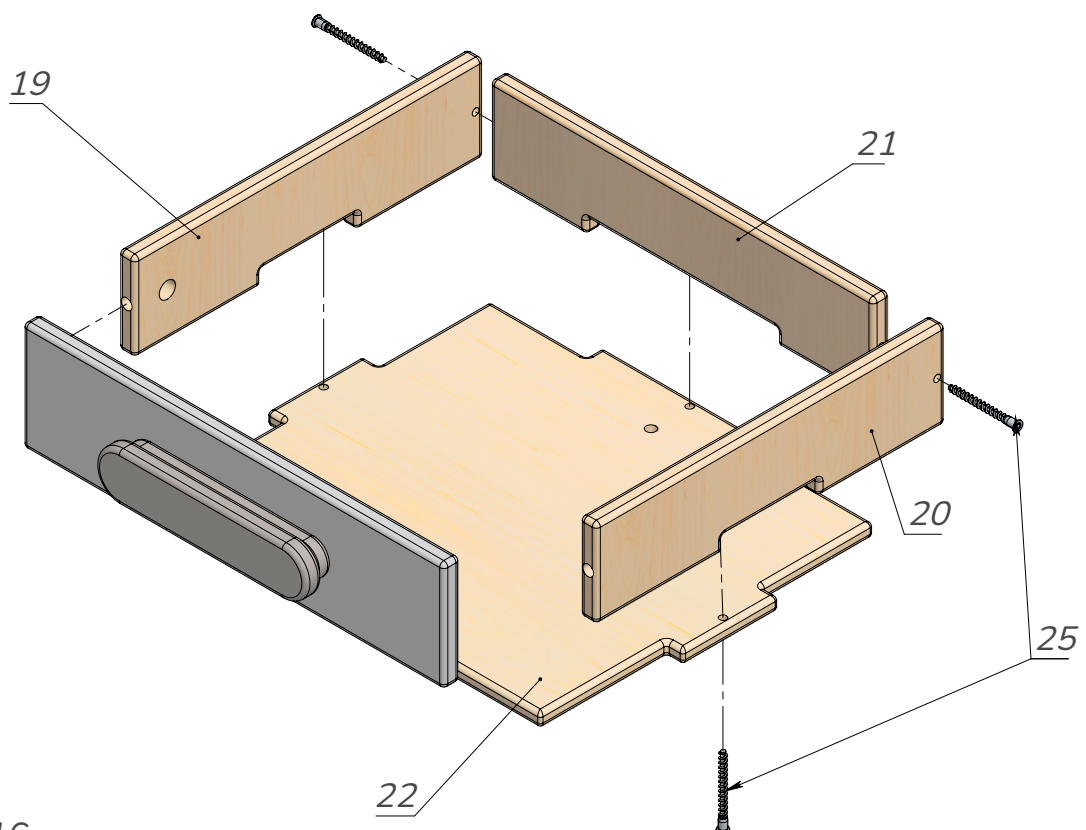
Pic. 14

Take the previously assembled construction and insert the Upper plank (16) into the groove on the Upper plank (14). Then put another plank (14) above and screw together with Confirmat screws (25). See Pic. 14



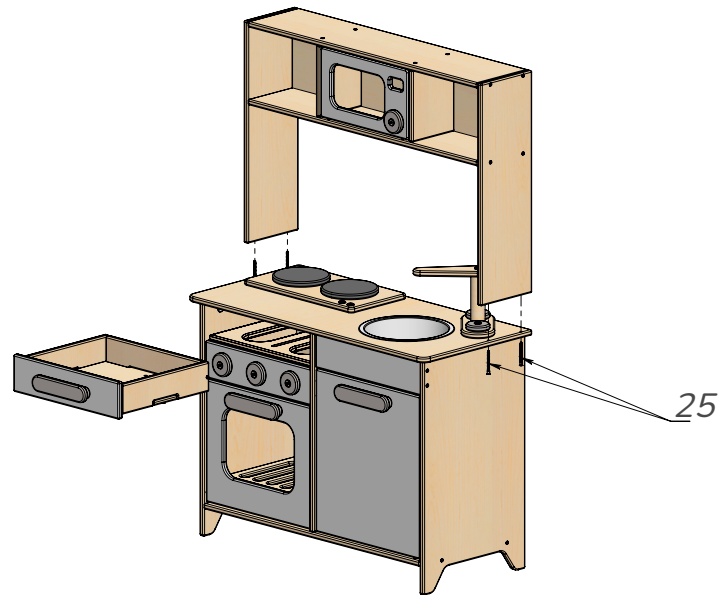
Pic. 15

Take the Drawer facade (18) and using the Screwdriver (29), fix the dowels from Minifixes (28). See Pic. 15



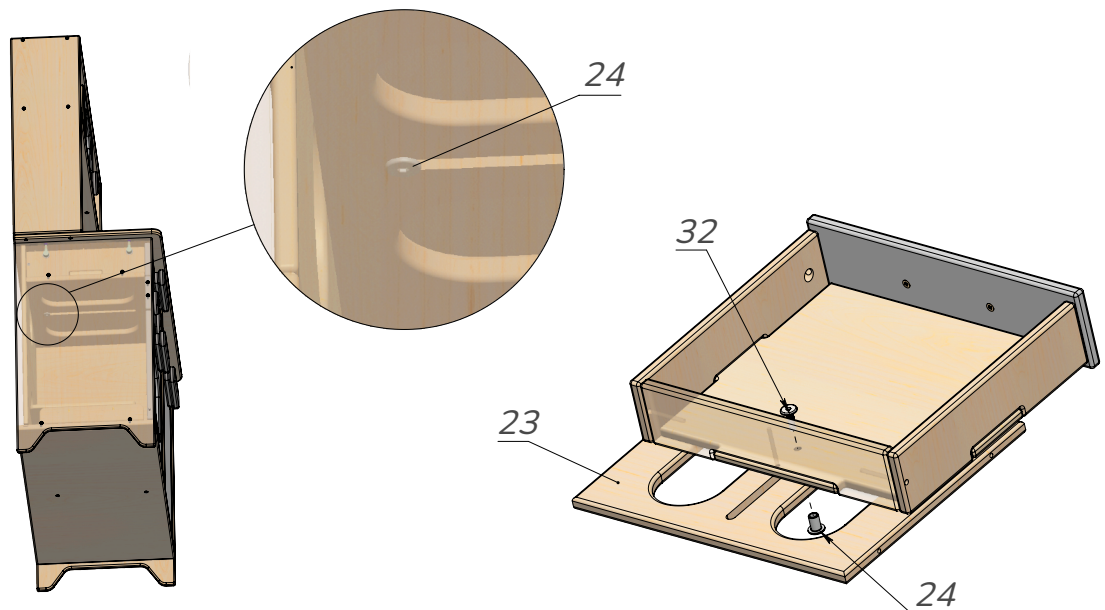
Pic. 16

Take the Lower drawer plank (22) and using the Confirmat screws (25), fix the Sidewalls and Back plank of a drawer (19,20,21). Then connect the sidewall (19 and 20) with the back plank (21). Insert the drawer facade (18) and fasten the eccentrics on the planks (19 and 20) clockwise with the screwdriver (29). See Pic. 16



Pic. 17

Screw together 2 assembled structures with Conformat screws (25) and insert a drawer. See Pic. 17



Pic. 18

To prevent the drawer from falling out, screw it together with the Under-the-drawer plank (23) with the help of a Nut (24), screws (32) and both 4 mm hex keys (27). See Pic. 18



To be used indoors, for its intended purpose only and under the direct supervision of an adult! All the responsibility for children's injuries received during games on the furniture lies on adults watching after them.

Always be vigilant during children's games!