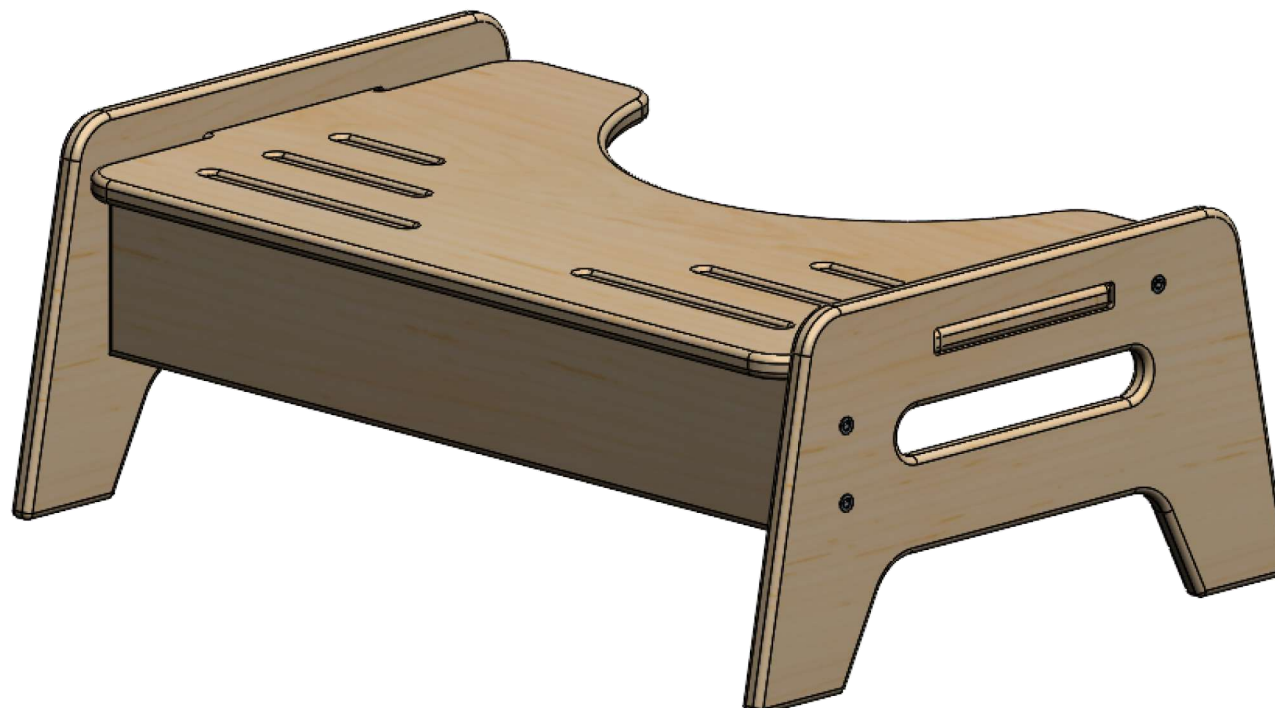
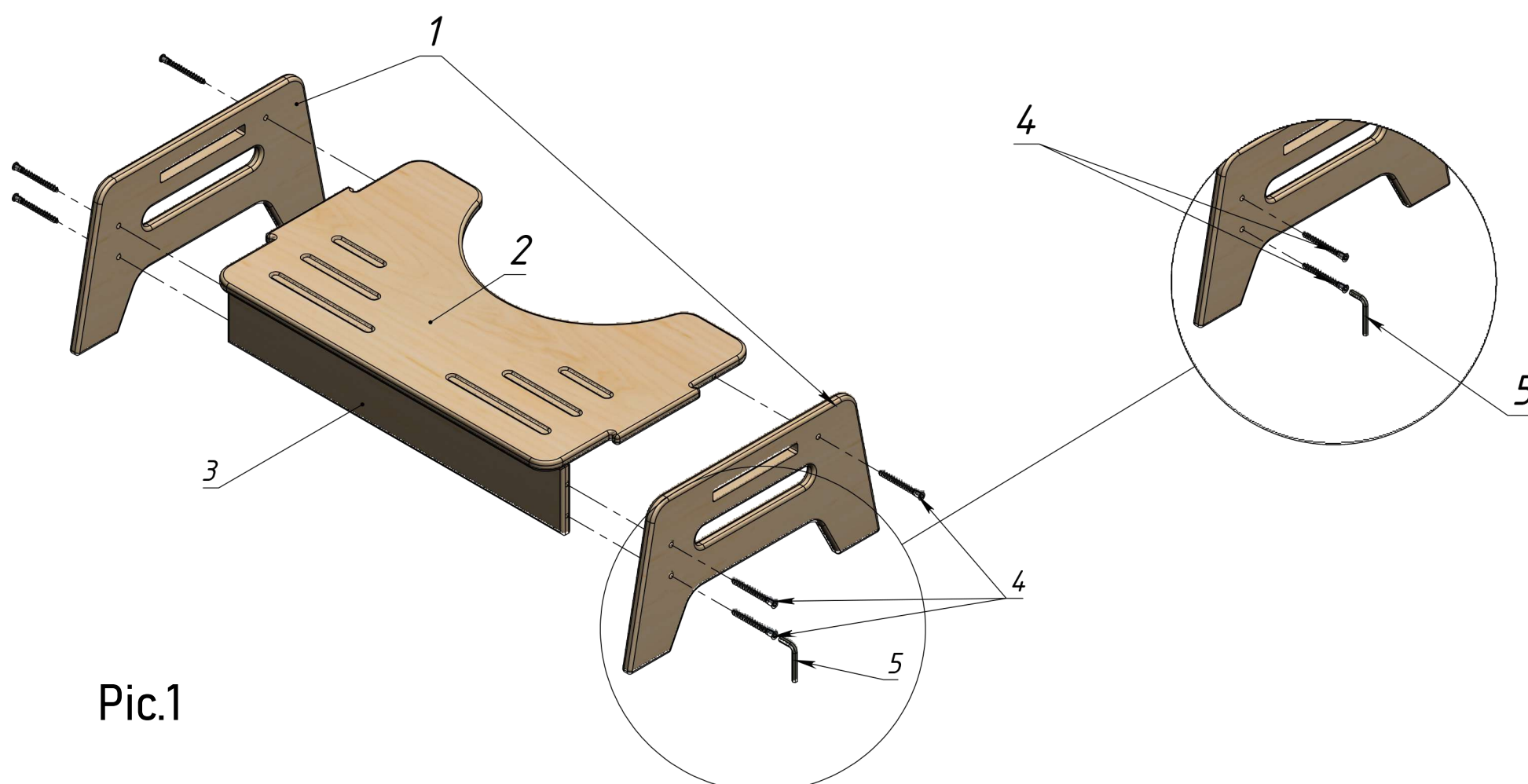


Toilet stand



ASSEMBLY DETAILS

1 - Sidewall	2 - Step	3 - Plank	4 - Confirmat screws	5 - 3 mm Hex key
2 pcs.	1 pc.	1 pc.	6 pcs.	1 pc.



Pic.1

Take one of the Sidewalls (1) and using the Confirmat screws (4) and 3mm Hex key (5), screw the Plank (3) to it. Position the protruding part of a Step (2) into the hole in the Sidewall (1) and screw the parts together. Connect another Sidewall (1) using the Confirmat screws (4) to the previously assembled construction. See Pic.1

To be used under the direct supervision of an adult only. Always be vigilant during children's game