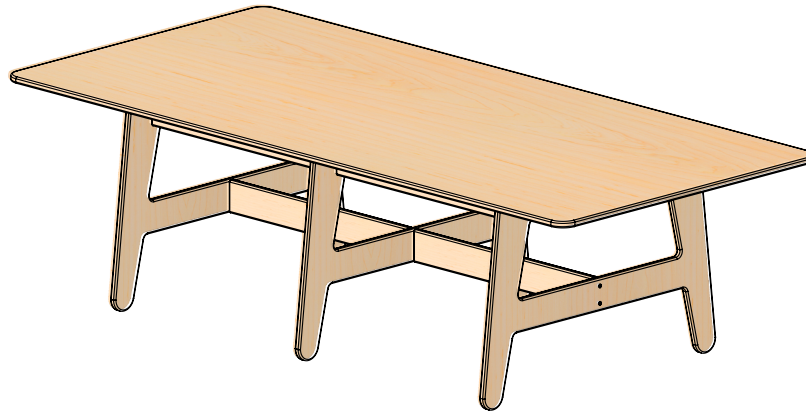
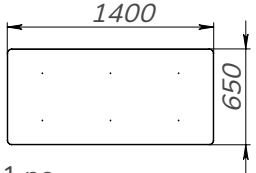
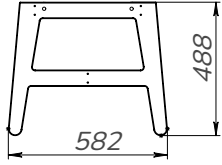



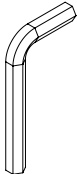


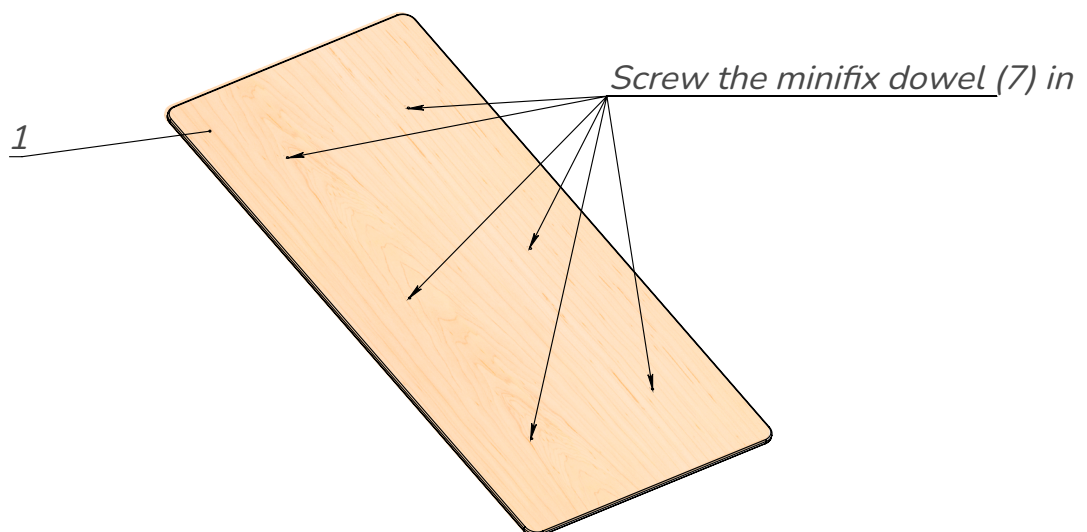


"Teamy" Table



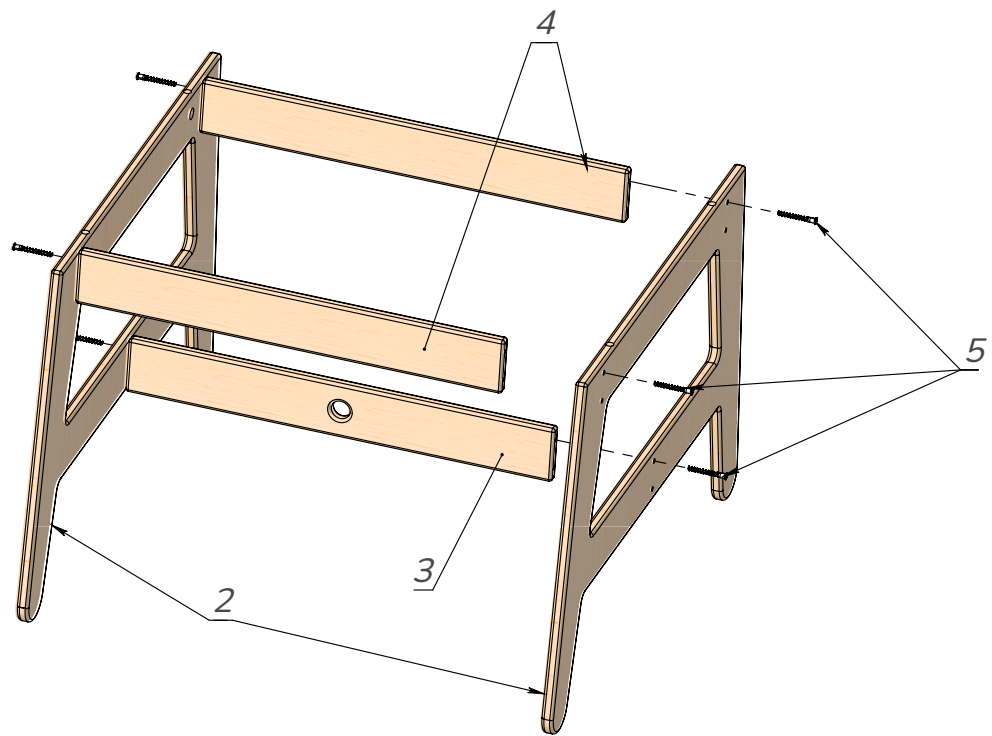
ASSEMBLY DETAILS

<p>1 - Table top</p>  <p>1 pc.</p>	<p>2 - Support</p>  <p>3 pcs.</p>	<p>3 - Lower bar</p>  <p>2 pcs.</p>	<p>4 - Upper bar</p>  <p>4 pcs.</p>
<p>5 - Confirmat screw 5x40</p>  <p>18 pcs.</p>	<p>6 - Hex key 3 mm</p>  <p>1 pc.</p>	<p>7 - Minifix kit</p>  <p>6 pcs.</p>	<p>8 - Screwdriver</p>  <p>1 pc.</p>



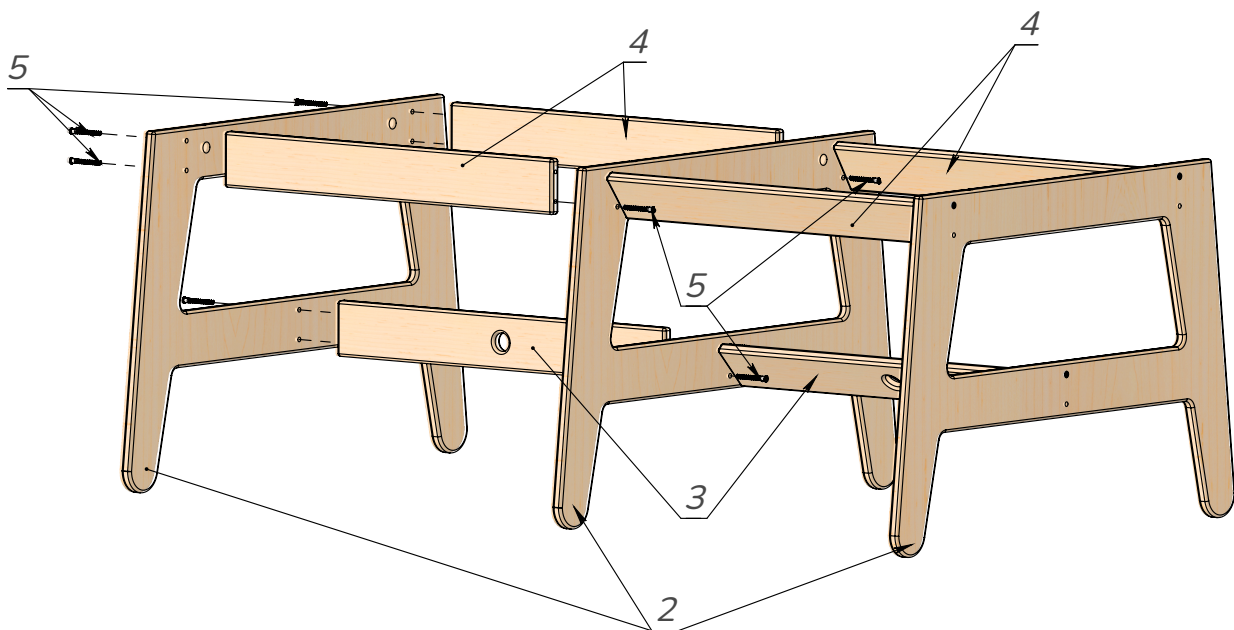
Pic. 1

Using a screwdriver (8), screw the minifix dowels (7) into the tabletop (1). See Pic. 1.



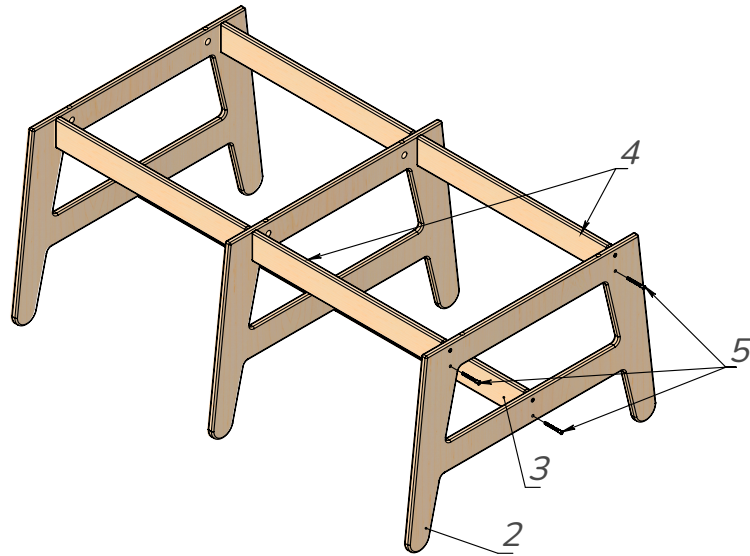
Pic. 2

Screw the bars (3, 4) to one of the supports (2) through the upper holes under the confirmat screw (5). From the other side, similarly, screw the support (2) to the assembled structure into the upper holes. See Pic. 2.



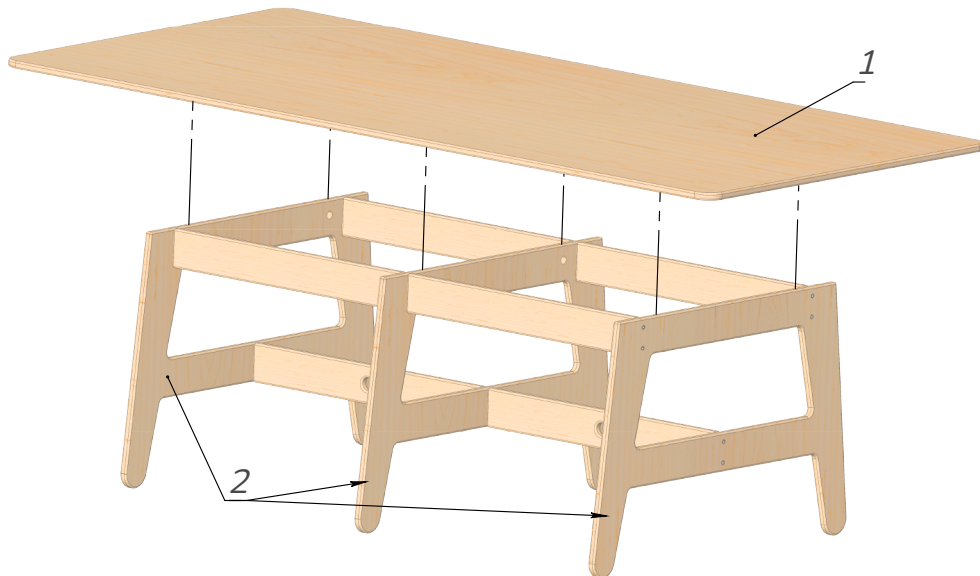
Pic. 3

Turn the lower bars (3) and supports (2) so that through the central support (2) it is possible to screw the lower confirmations (5) into the lower and upper bars (3, 4). Next, screw the side support (2) with confirmations to the assembled structure. See Pic. 3.



Pic. 4

Align the lower and upper bars (3, 4) and screw the lower confirmations through the support (2). See Pic. 4.



Pic. 5

Install the tabletop (1) on the assembled structure, and with the help of a screwdriver (8) close the eccentric ties located on the supports (2) clockwise. See Pic. 5.



The products is meant for indoor use only.
To be used for its intended purpose only and under the direct supervision of an adult!
All the responsibility for children's injuries received during games on the furniture lies on adults watching after them.

Always be vigilant during children's games!