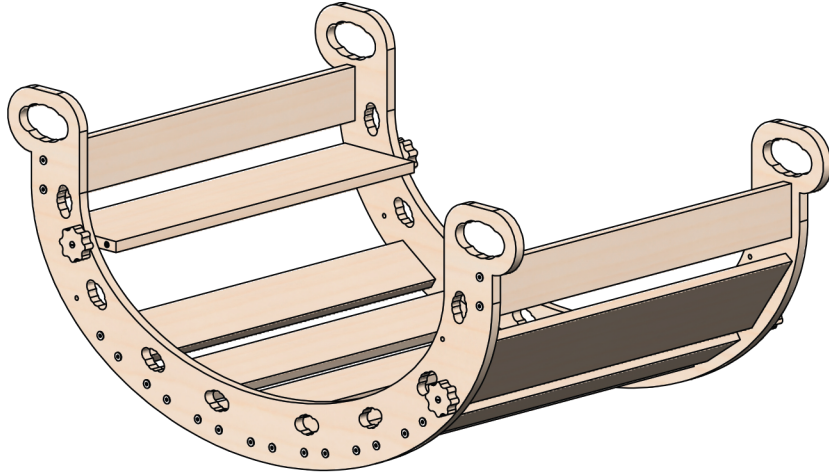
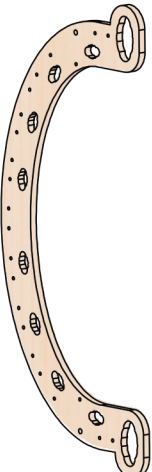
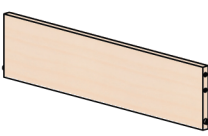
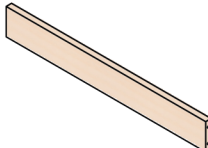
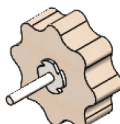
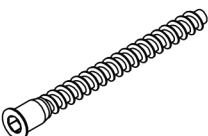

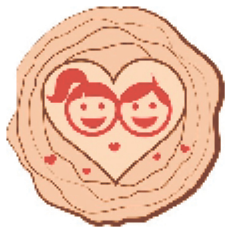


STANDARD BALANCE BOARD

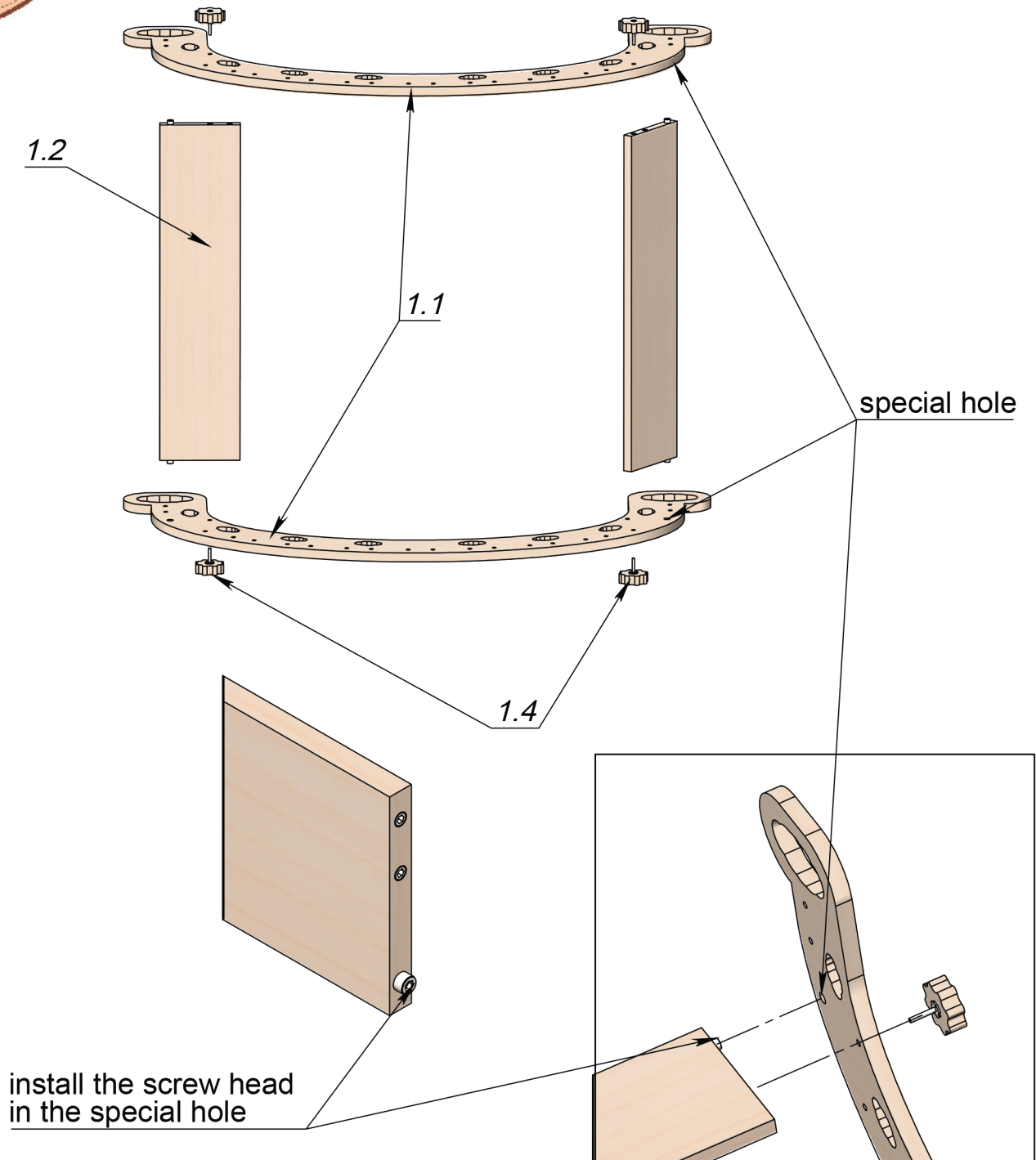


ASSEMBLY PARTS

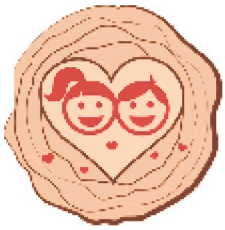
<p>1.1</p>  <p><i>Sidewall - 2pcs.</i></p>	<p>1.2</p>  <p><i>Seat - 2pcs.</i></p>	<p>1.3</p>  <p><i>Lintel - 9pcs.</i></p>	<p>1.4</p>  <p><i>Level controller 4pcs.</i></p>
	<p>2.1</p>  <p><i>Confirmat screw (38pcs - 2pcs spare)</i></p>	<p>2.2</p>  <p><i>4mm hex key (1pc)</i></p>	



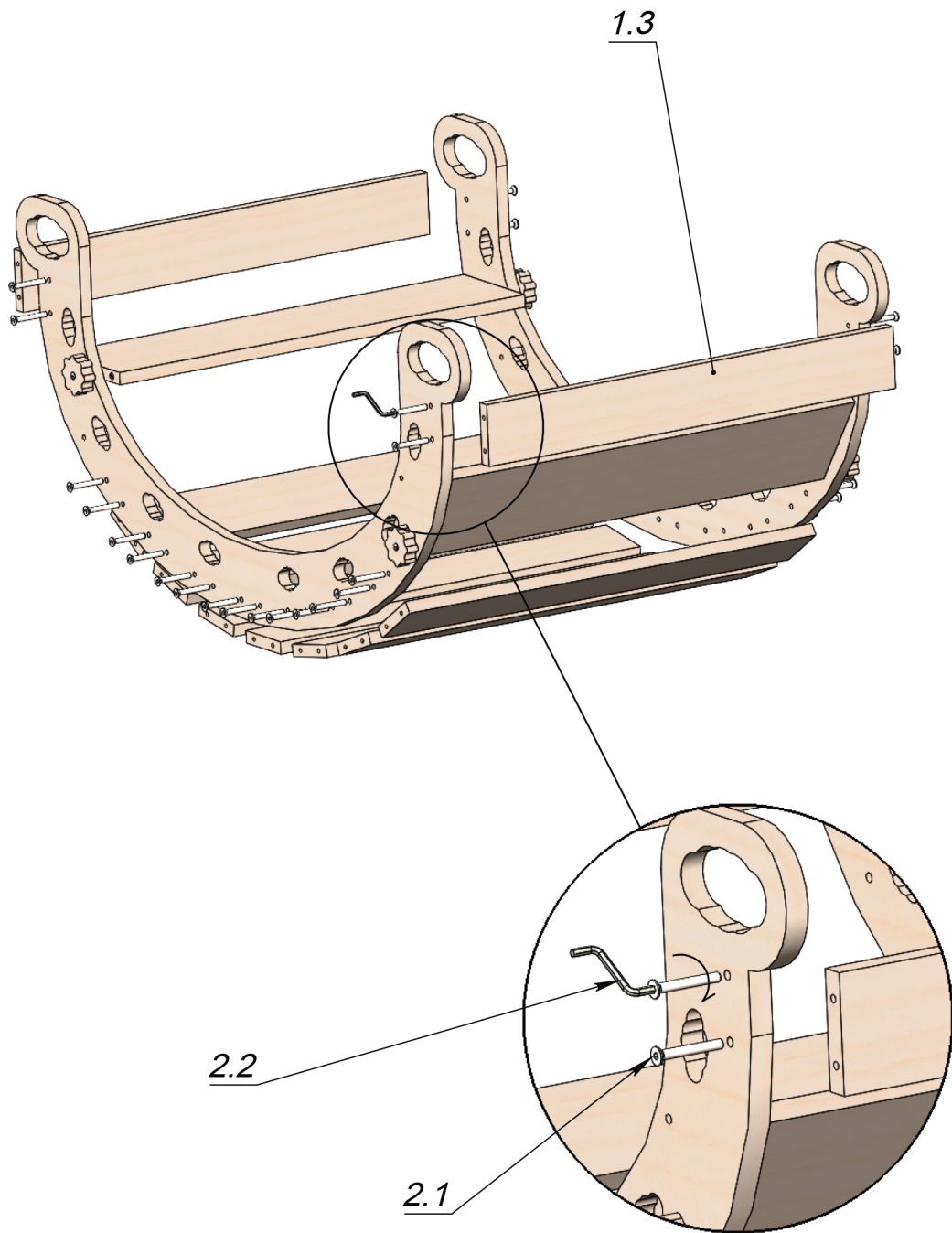
STEP 1



1. Take Sidewall (1.1), Seat (1.2), Level controller (1.4) (look at page 1).
2. Put the protruding screw head of the seat(1.2) to the special holes in the sidewall(1.1). Repeat with another seat (1.2).
3. Put the sidewall (1.1) on the other side of the seats (1.2).
4. Take the level controllers (1.4) and screw the sidewalls (1.1) to the seat (1.2) with their help.



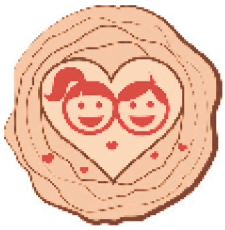
STEP 2



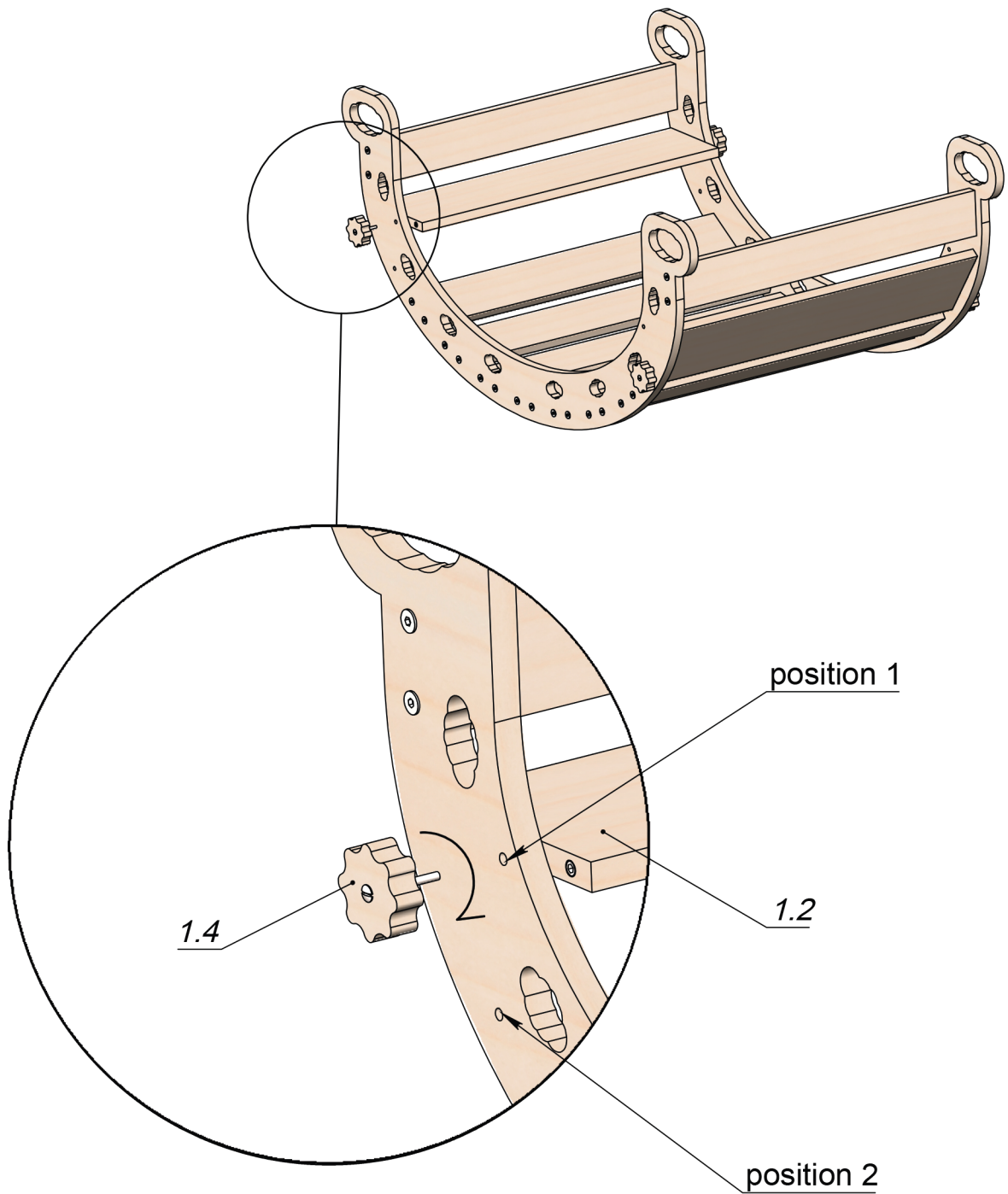
1. Take Lintel (1.3) (look at page 1).

2. Screw them to the sidewalls with the confirmat screws (2.1) using 4mm hex key (2.2).

3. Tighten all screws 2.1.



STEP 3



1. Using part 1.4 (page 1) we fix the position of part 1.2.
2. Position 1 - "Bench". Position 2 - "Tilt".