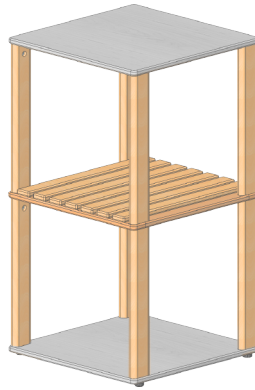
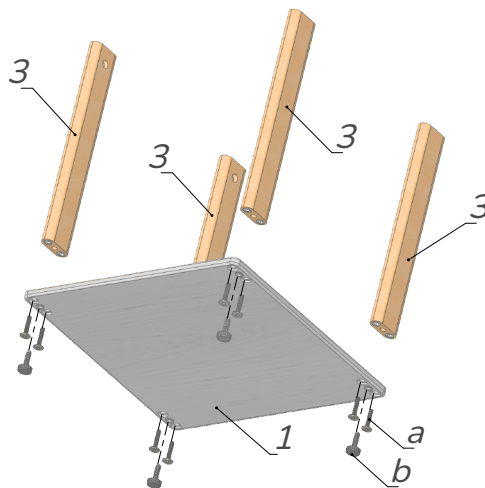


Square, 3 shelves



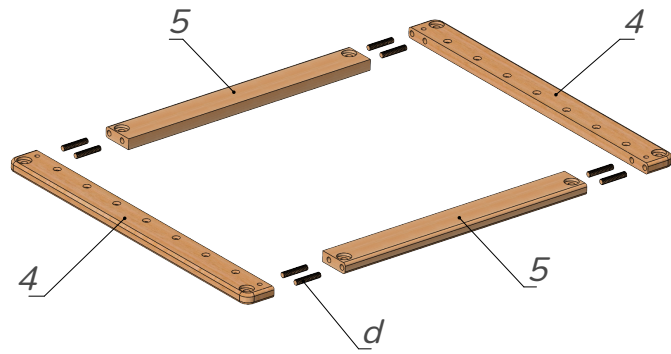
ASSEMBLY DETAILS

| | | | | |
|--|--------------------------------|------------------------------------|--|-------------------------------------|
| 1 - Lower shelf 1 pc. | 2 - Upper shelf 1 pc. | 3 - Stand 8 pcs. | 4 - Long lintel 2 pcs. | 5 - Short lintel 2 pcs. |
| 6 - Plank 7 pcs. | a - Screw M6x30 16 pcs. | b - Furniture leg M6 4 pcs. | c - Dowel for minifix 32 mm 8 pcs. | d - Wooden dowel 6x30 8 pcs. |
| e - Self-tapping screw 3x20 14 pcs. | f - 4 mm hex key 1 pc. | g - Screwdriver 1 pc. | *eccentric fasteners are preinstalled into the details | |



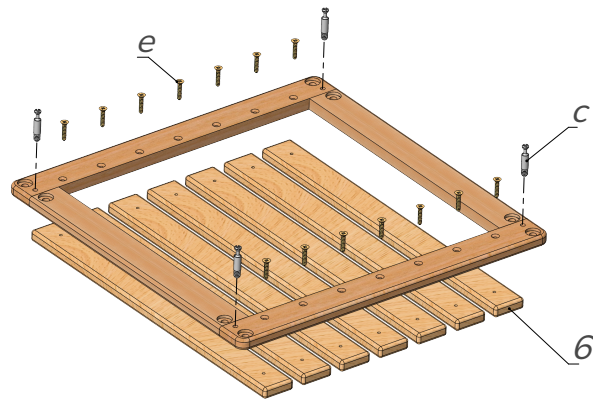
Pic. 1

Take the lower shelf (1) and attach the stands (3) to it with the screws (a) and hex key (f). Screw the legs (b) into the shelf (1) from beneath. See Pic. 1.



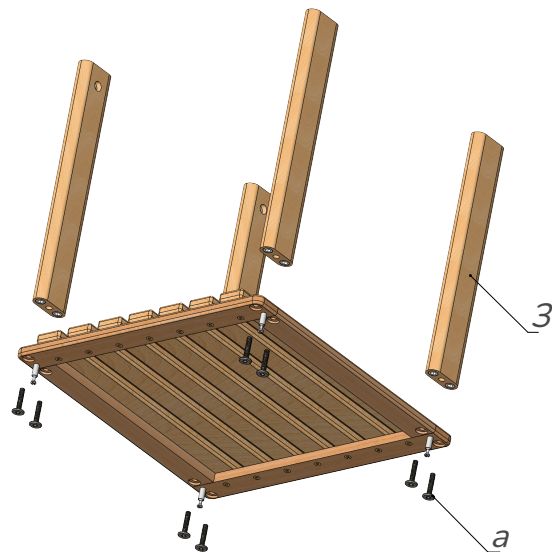
Pic. 2

Join the long and short lintels (4, 5) together with the wooden dowels (d). See Pic. 2.



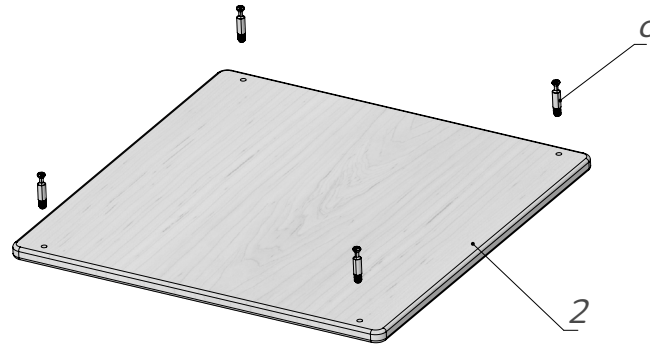
Pic. 3

Attach the planks (6) to the previously assembled frame using self-tapping screws (e) and screwdriver (g). Install the minifix dowels (c) as shown in the Pic. 3.



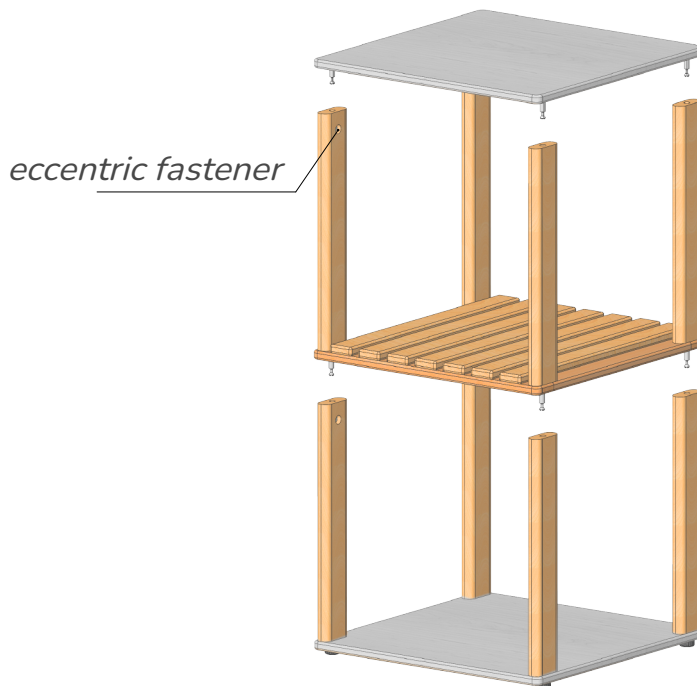
Pic. 4

Take the stands (3) and using the screws (a) attach them to the previously assembled frame with planks using the hex key (f). See Pic. 4.



Pic. 5

Take the upper shelf (2) and using the screwdriver (g), screw the dowels (c) in. See Pic. 5.



Pic. 6

Join the previously assembled constructions. Turn the eccentric fasteners with the screwdriver (g) clockwise by 180 degrees. See Pic. 6.



The products is meant for indoor use only.

To be used for its intended purpose only and under the direct supervision of an adult!

All the responsibility for children's injuries received during games on the furniture lies on adults watching after them.

Always be vigilant during children's games!