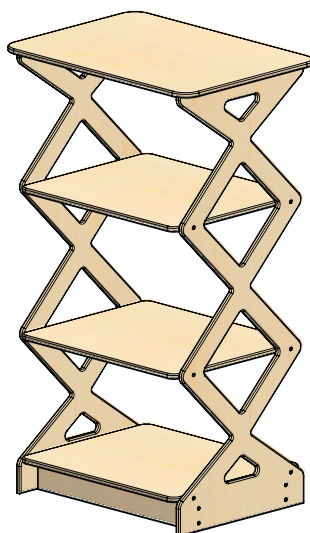
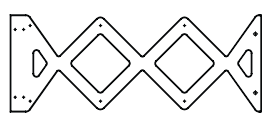
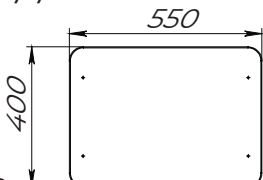

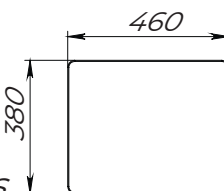

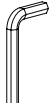

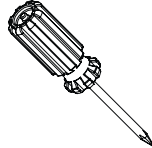


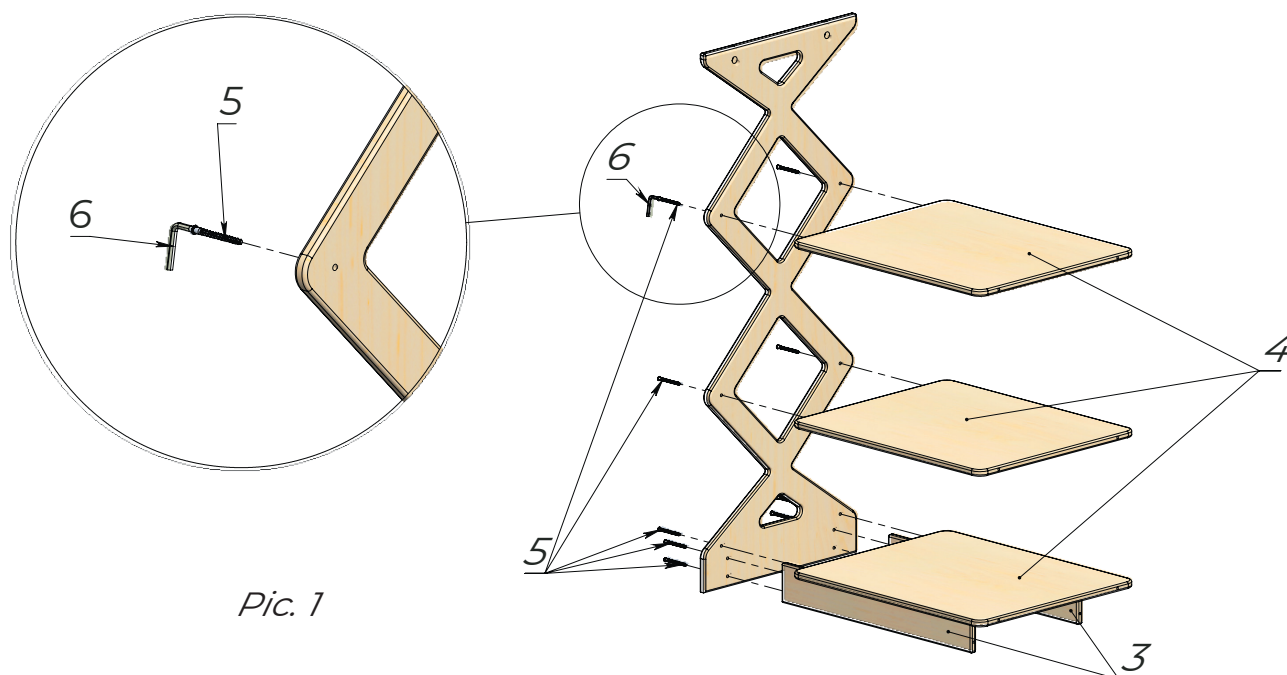
"Spring" Shelf



Assembly details

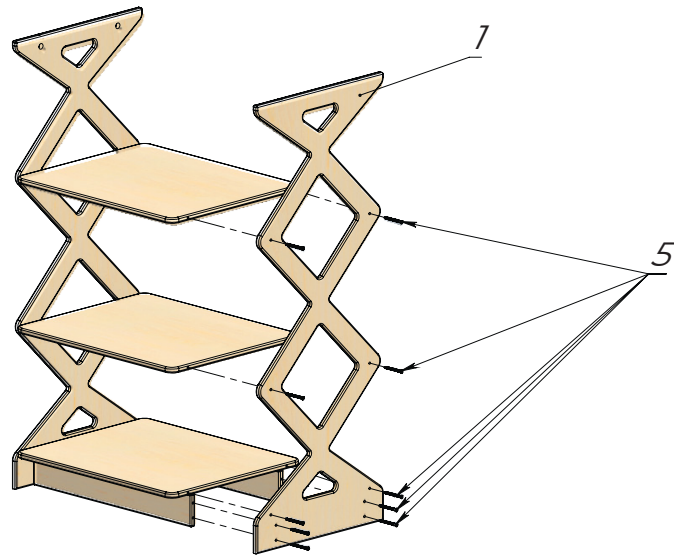
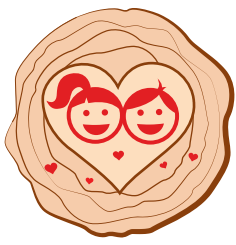
<p>1 - Sidewall</p>  <p>2 pcs.</p>	<p>2 - Upper shelf</p>  <p>1 pc.</p>	<p>3 - Lower lintel</p>  <p>2 pcs.</p>	<p>4 - Shelves</p>  <p>3 pcs.</p>
<p>5 - Confirmat screws 5x40</p>  <p>20 pcs.</p>	<p>6 - 3 mm hex key</p>  <p>1 pc.</p>	<p>7 - Set of Minifixes*</p>  <p>4 pcs.</p>	<p>8 - Screwdriver</p>  <p>1 pc.</p>

*Eccentrics are already installed into the details



Pic. 1

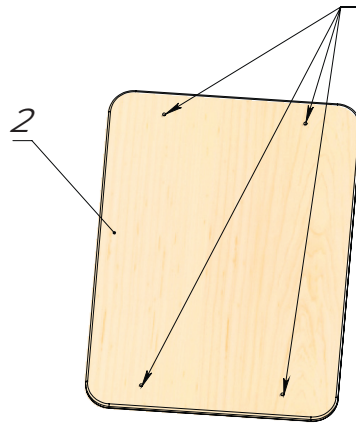
Take one of the Sidewalls (1) and using the Confirmat screws (5) and Hex key (6), connect Lower lintels (3) and the Shelves (4). See Pic.1



Pic. 2

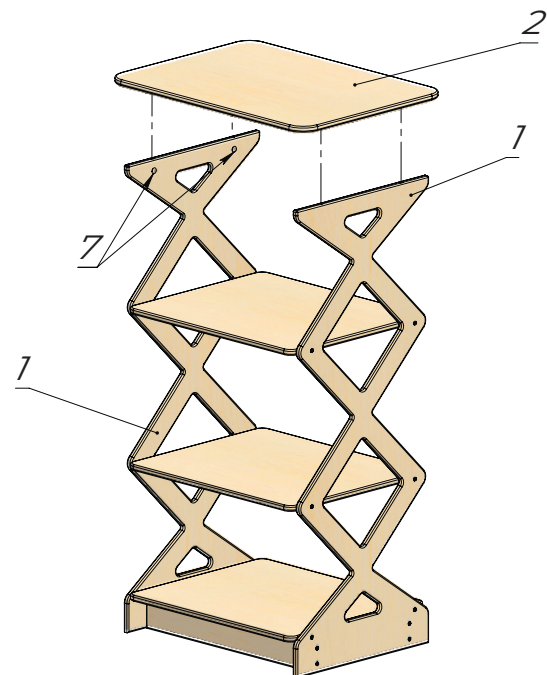
Take another Sidewall (1) and using the Confirmat screws (5) connect it to the previously assembled construction. See Pic. 2

Screw the dowels from Minifixes (7)



Pic. 3

Take the Upper shelf (2) and using a Screwdriver (8), screw the Dowels from Minifixes (7) in. See Pic.3



Pic. 4

Put the Upper shelf (2) on the previously assembled construction and close the Eccentric ties (7) on the details clockwise. See Pic,4

**To be used under the direct supervision of an adult only.
Always be vigilant during children's games**

Have any questions? Contact us: support@woodandhearts.com