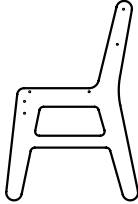
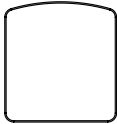



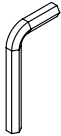
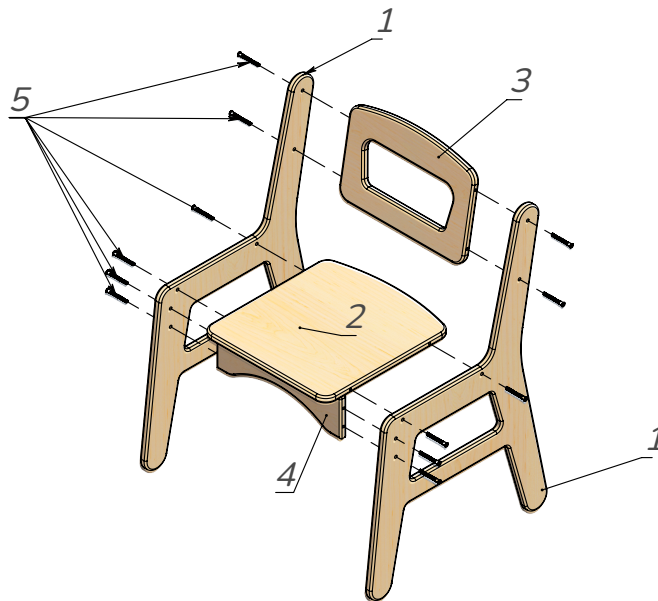


# Solid chair



## ASSEMBLY DETAILS

<p>1 - Side panel</p>  <p>2 pcs.</p>	<p>2 - Seat</p>  <p>1 pc.</p>	<p>3 - Back</p>  <p>1 pc.</p>
<p>4 - Plank</p>  <p>1 pc.</p>	<p>5 - Confirmat screws 5x40</p>  <p>12 pcs.</p>	<p>6 - Hex key 3 mm</p>  <p>1 pc.</p>



Pic. 1

Screw the seat (2), the back (3), and the plank (4) to one of the side walls (1) with the help of confirmat screws (5) and a key (6). The other side panel (1) is to be screwed with confirmats (5) to the previously assembled structure. See Pic. 1.



The products is meant for indoor use only.  
To be used for its intended purpose only and under the direct supervision of an adult!  
All the responsibility for children's injuries received during games on the furniture lies on adults watching after them.

Always be vigilant during children's games!