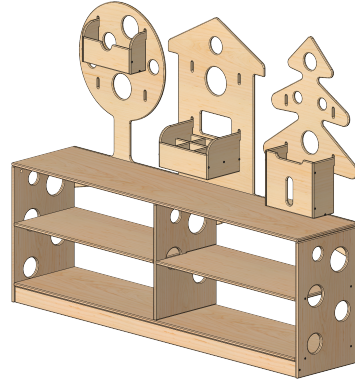
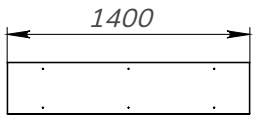
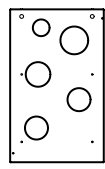
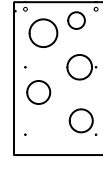
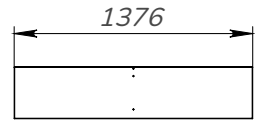
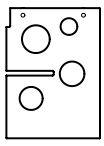
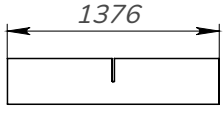
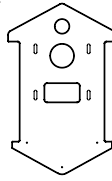
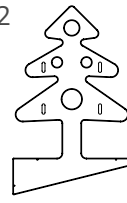
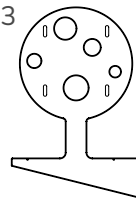
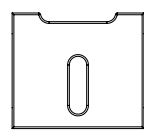
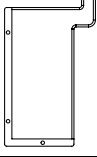
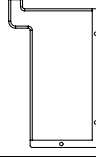
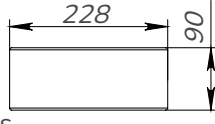
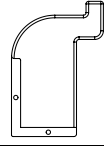
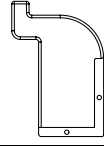
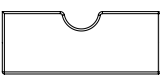
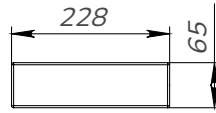
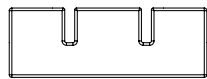
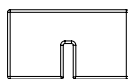
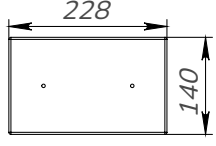
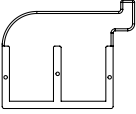
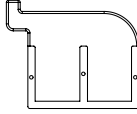
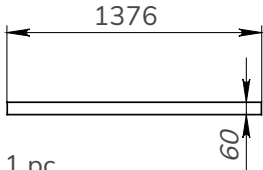
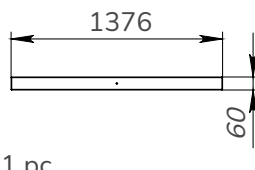

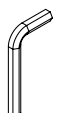




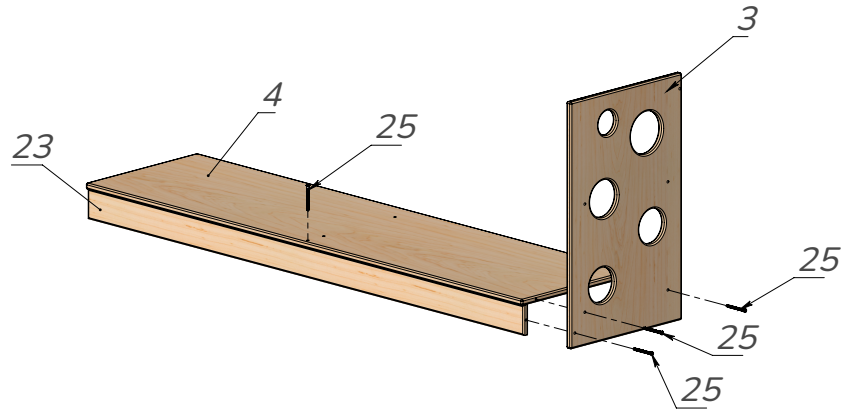
Shelf "Trees and Houses" wide 2



ASSEMBLY DETAILS

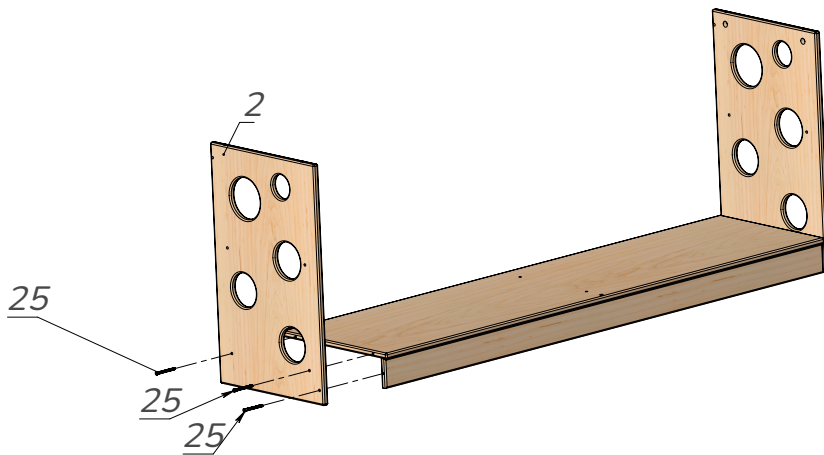
<p>1 - Upper cover</p>  <p>1 pc.</p>	<p>2 - Left sidewall</p>  <p>1 pc.</p>	<p>3 - Right sidewall</p>  <p>1 pc.</p>	<p>4 - Lower base</p>  <p>1 pc.</p>	<p>5 - Middle wall</p>  <p>1 pc.</p>
<p>6 - Shelf</p>  <p>1 pc.</p>	<p>7 - Decor 1</p>  <p>1 pc.</p>	<p>8 - Decor 2</p>  <p>1 pc.</p>	<p>9 - Decor 3</p>  <p>1 pc.</p>	<p>10 - Facade of the drawer 1</p>  <p>1 pc.</p>
<p>11 - Left sidewall of the drawer 1</p>  <p>1 pc.</p>	<p>12 - Right sidewall of the drawer 1</p>  <p>1 pc.</p>	<p>13 - Base plank of the drawer 1</p>  <p>2 pcs.</p>	<p>14 - Left sidewall of the drawer 2,</p>  <p>1 pc.</p>	<p>15 - Right sidewall of the drawer 2</p>  <p>1 pc.</p>
<p>16 - Facade of the drawer 2</p>  <p>1 pc.</p>	<p>17 - Base plank of the drawer 2</p>  <p>1 pc.</p>	<p>18 - Long lintel</p>  <p>1 pc.</p>	<p>19 - Short lintel</p>  <p>2 pcs.</p>	<p>20 - Lower plank of the drawer 3</p>  <p>1 pc.</p>
<p>21 - Left sidewall of the drawer 3</p>  <p>1 pc.</p>	<p>22 - Right sidewall of the drawer 3</p>  <p>1 pc.</p>	<p>23 - Lower rail</p>  <p>1 pc.</p>	<p>24 - Upper rail</p>  <p>1 pc.</p>	<p>25 - Conformat screws 5x40</p>  <p>43 pcs.</p>
<p>26 - 3 mm Hex key</p>  <p>1 pc.</p>	<p>27 - Set of Minifixes</p>  <p>6 pcs.</p>	<p>28 - Screwdriver</p>  <p>1 pc.</p>		

*Eccentric ties are already installed into the details



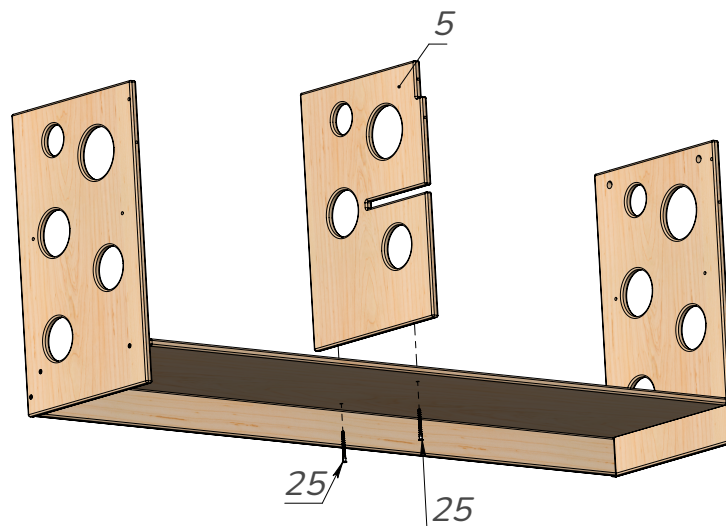
Pic. 1

Take the right sidewall (3) and using the confirmat screws (25) and hex key (26), attach the lower base (4) and lower rail (23). Then take confirmat screws (25) and fix the details 4 and 23 together. See Pic.1.



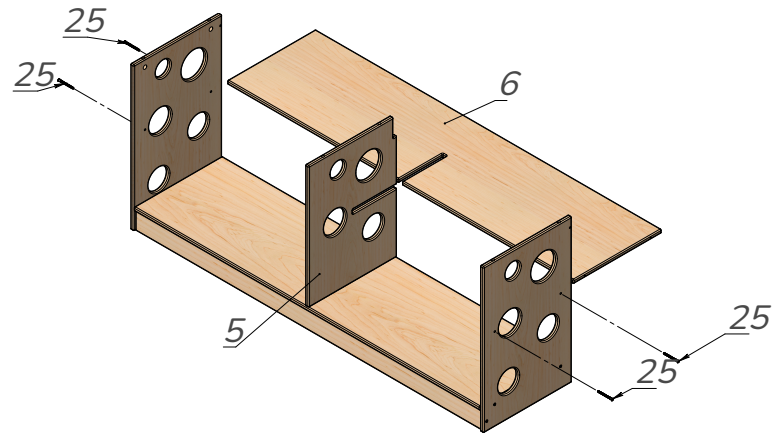
Pic. 2

Attach the left sidewall (2) to the previously assembled construction. See Pic.2.



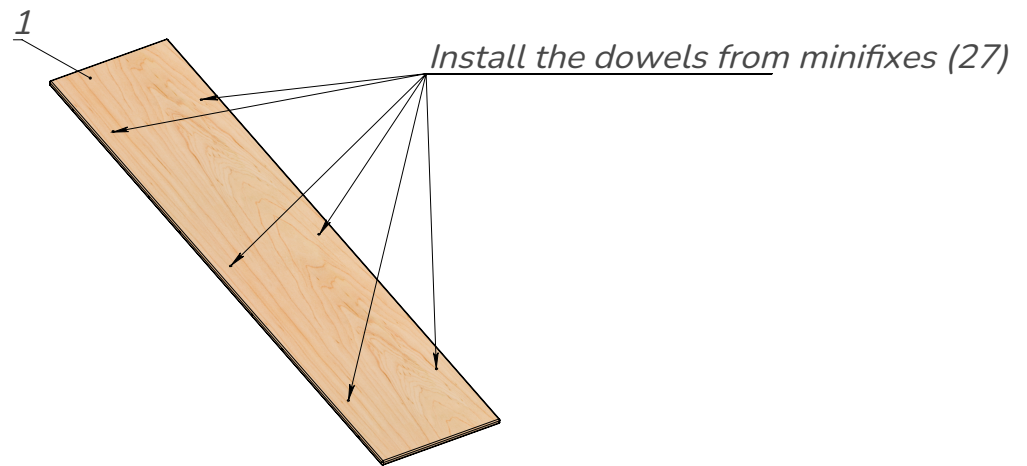
Pic. 3

Attach the middle wall (5) using the confirmat screws (25) and hex key (26). See Pic.3.



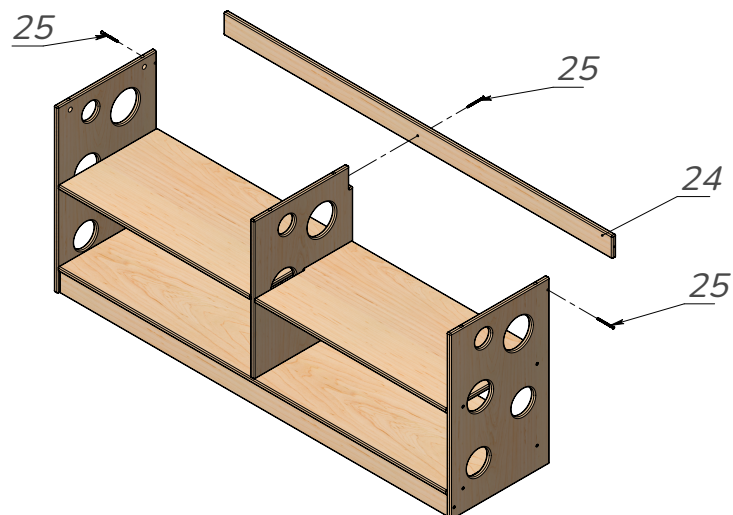
Pic. 4

Install the shelf (6) into the groove of the middle wall (5) and fix it with the confirmat screws (25). See Pic.4.



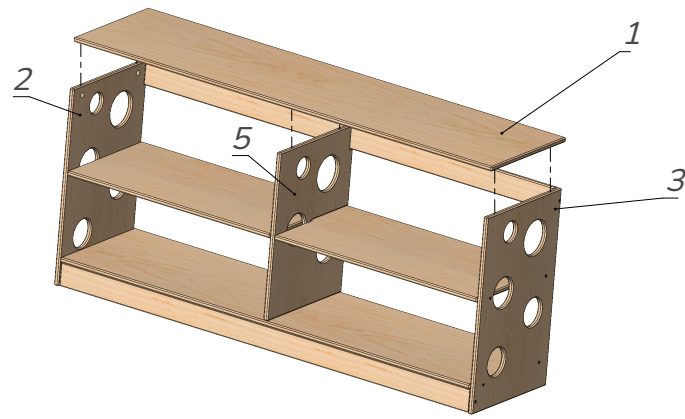
Pic. 5

Install the dowels from minifixes (27) onto the upper cover (1) using the screwdriver (28). See Pic. 5.



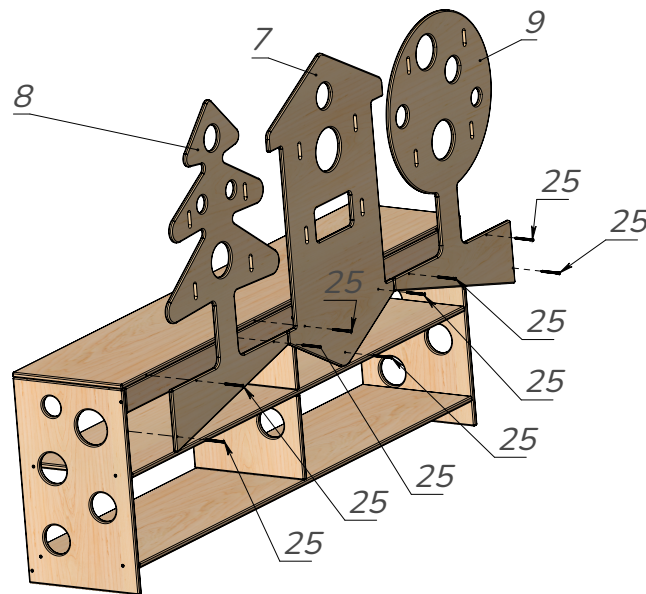
Pic. 6

Attach the upper rail (24) using the confirmat screws (25) and hex key (26). See Pic.6



Pic. 7

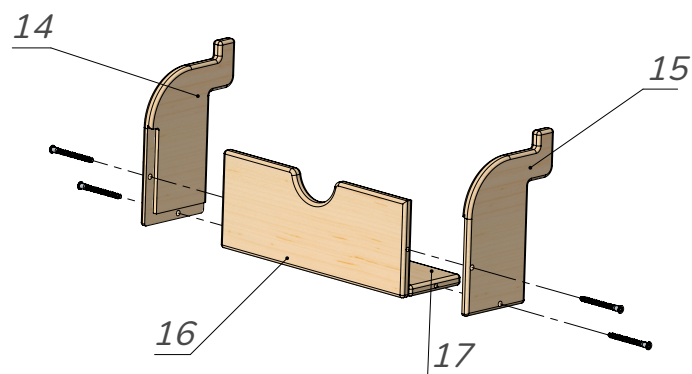
Put the upper cover (1) on the previously assembled construction and using the screwdriver (28) close the eccentric ties located in the sidewalls (2,3) and middle wall (5) clockwise, by turning it by 180 degrees. See Pic.7.



Pic. 8

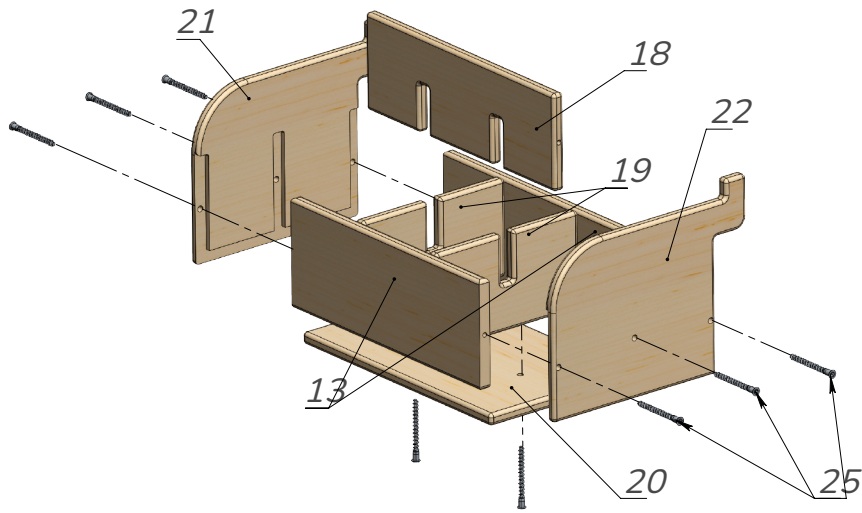
Attach the decor (7,8,9) to the assembled shelf. See Pic.8.

Then assemble the drawers:



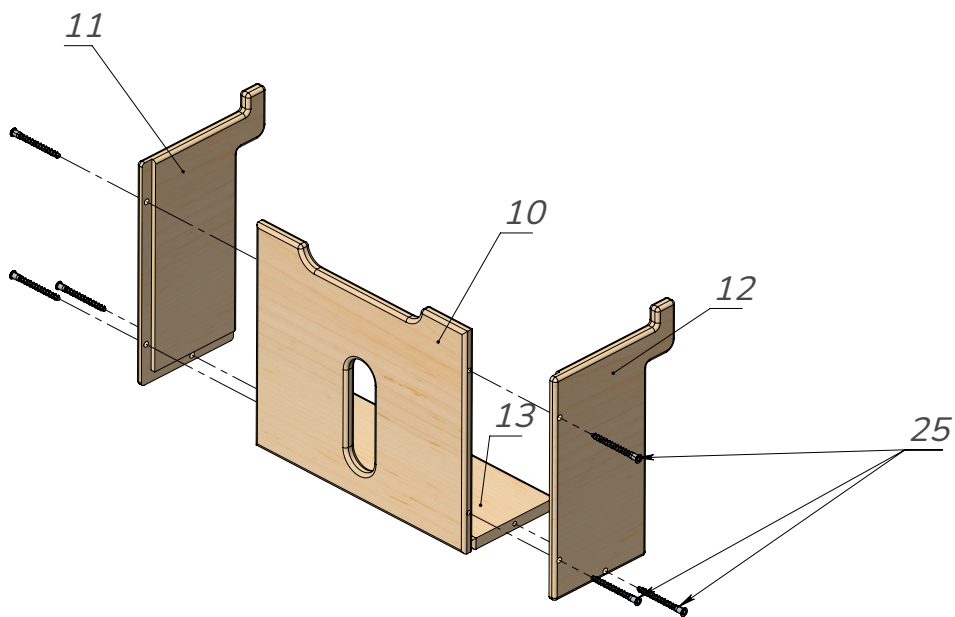
Pic. 9

To one of the sidewalls of the drawer 2 (14 or 15) attach the facade of the drawer (16) and lower plank (17) using the confirmat screws (25). Then attach another sidewall (14 or 15) in a similar way. See Pic.11.



Pic. 10

To one of the sidewalls of the drawer 3 (21 or 22) attach the lower plank of the drawer (13) using the confirmat screws (25). Then locate the planks (19) on the lower plank of the drawer (20). Fix them using the confirmat screws (25) and attach to one of the sidewalls (21 or 22). Another sidewall (22 or 21) is to be screwed to the assembled construction. See Pic.10.



Pic. 11

Take one of the sidewalls (11 or 12) and attach the facade of the drawer 1 (10) and lower oplank of the drawer (13) using the confirmat screws. Then attach another sidewall in a similar way. See Pic.11.



To be used for its intended purpose only and under the direct supervision of an adult!
All the responsibility for children's injuries received during games on the furniture lies on adults watching after them.

Always be vigilant during children's games!