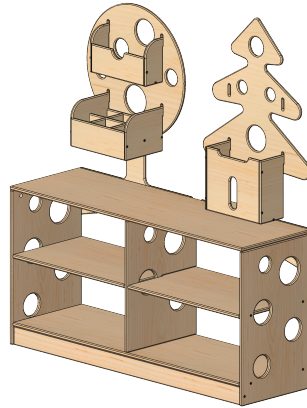
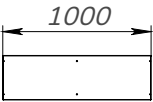
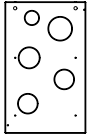
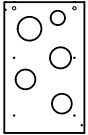
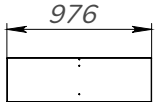
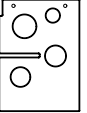
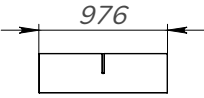
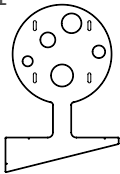
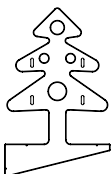
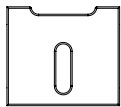
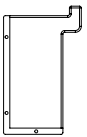
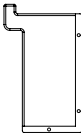
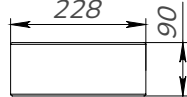
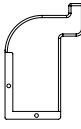
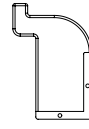
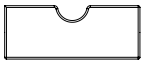
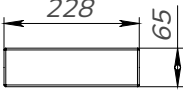
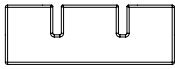
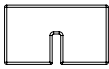
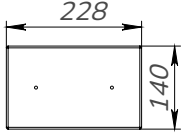
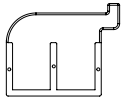
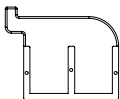
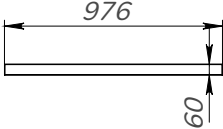
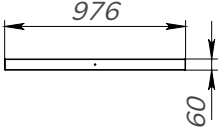

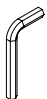




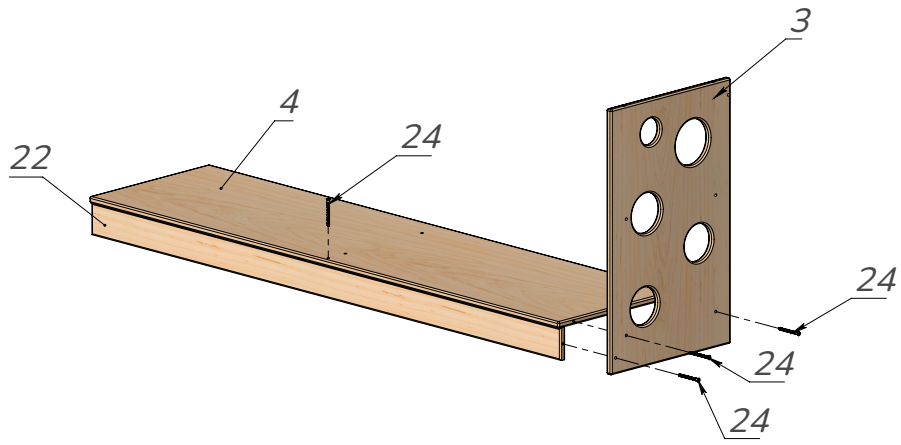
# Shelf "Trees ans Houses" narrow 1



## ASSEMBLY DETAILS

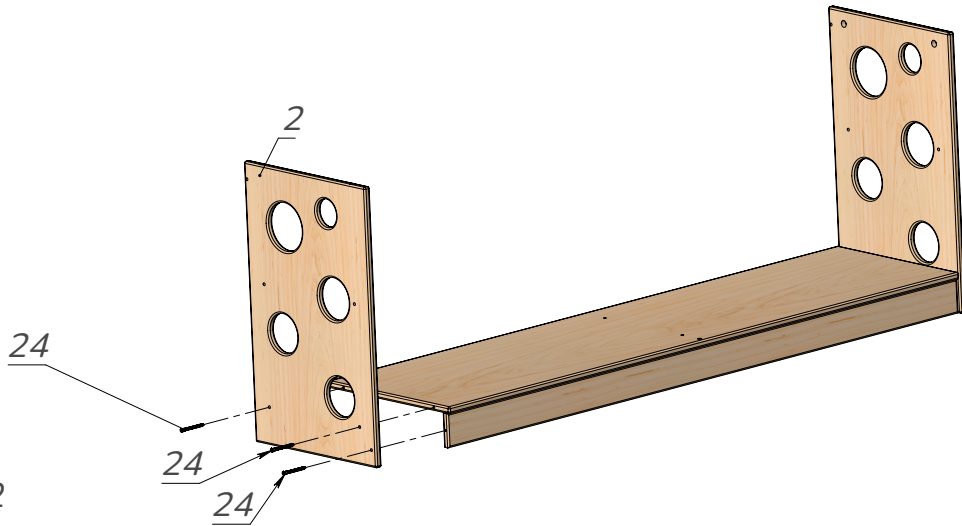
<p>1 - Upper cover</p>  <p>1 pc.</p>	<p>2 - Left sidewall</p>  <p>1 pc.</p>	<p>3 - Right sidewall</p>  <p>1 pc.</p>	<p>4 - Lower base</p>  <p>1 pc.</p>	<p>5 - Middle wall</p>  <p>1 pc.</p>
<p>6 - Shelf</p>  <p>1 pc.</p>	<p>7 - Decor 1</p>  <p>1 pc.</p>	<p>8 - Decor 2</p>  <p>1 pc.</p>	<p>9 - Facade of the drawer 1</p>  <p>1 pc.</p>	<p>10 - Left sidewall of the drawer 1</p>  <p>1 pc.</p>
<p>11 - Right sidewall of the drawer 1</p>  <p>1 pc.</p>	<p>12 - Base plank of the drawer 1</p>  <p>2 pcs.</p>	<p>13 - Left sidewall of the drawer 2</p>  <p>1 pc.</p>	<p>14 - Right sidewall of the drawer 2</p>  <p>1 pc.</p>	<p>15 - Facade of the drawer 2</p>  <p>1 pc.</p>
<p>16 - Base plank of the drawer 2</p>  <p>1 pc.</p>	<p>17 - Long lintel</p>  <p>1 pc.</p>	<p>18 - Short lintel</p>  <p>2 pcs.</p>	<p>19 - Lower plank of the drawer 3, 1 pc.</p>  <p>1 pc.</p>	<p>20 - Left sidewall of the drawer 3</p>  <p>1 pc.</p>
<p>21 - Right sidewall of the drawer 3</p>  <p>1 pc.</p>	<p>22 - Lower rail</p>  <p>1 pc.</p>	<p>23 - Upper rail</p>  <p>1 pc.</p>	<p>24 - Conformat screws 5x40</p>  <p>40 pcs.</p>	<p>25 - 3 mm Hex key</p>  <p>1 pc.</p>
<p>26 - Set of Minifixes*</p>  <p>6 pcs.</p>	<p>27 - Screwdriver</p>  <p>1 pc.</p>			

\*Eccentric ties are already installed into the details



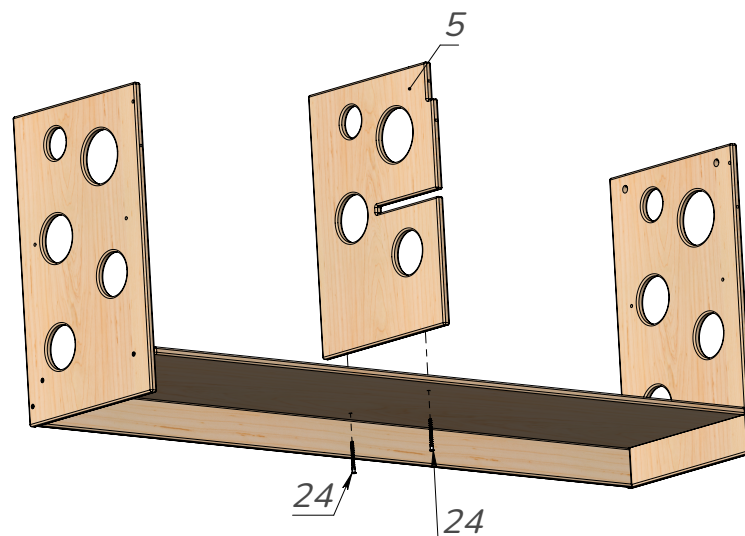
Pic. 1

Take the right sidewall (3) and using the confirmat screws (24) and hex key (25) attach the lower base (4) and lower rail (22). Fix the details 4 and 22 with the confirmat screw (24). See Pic.1.



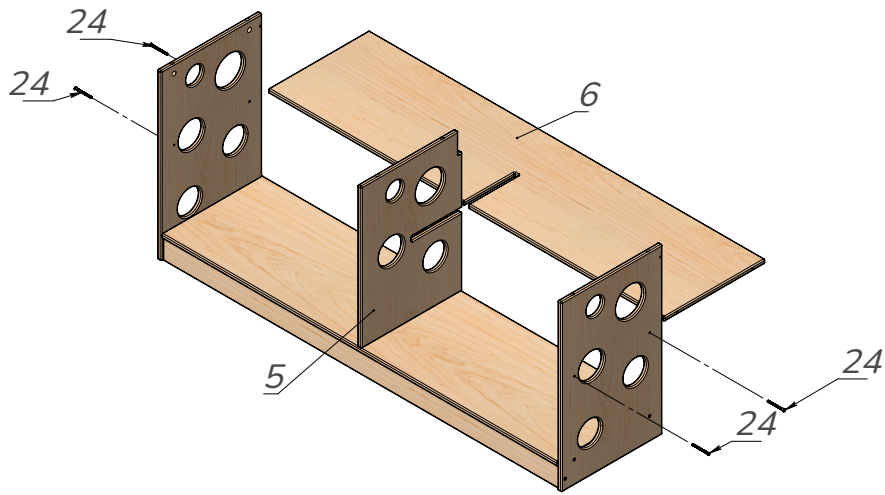
Pic. 2

Attach the left sidewall (2) to the previously assembled construction. See Pic.2.



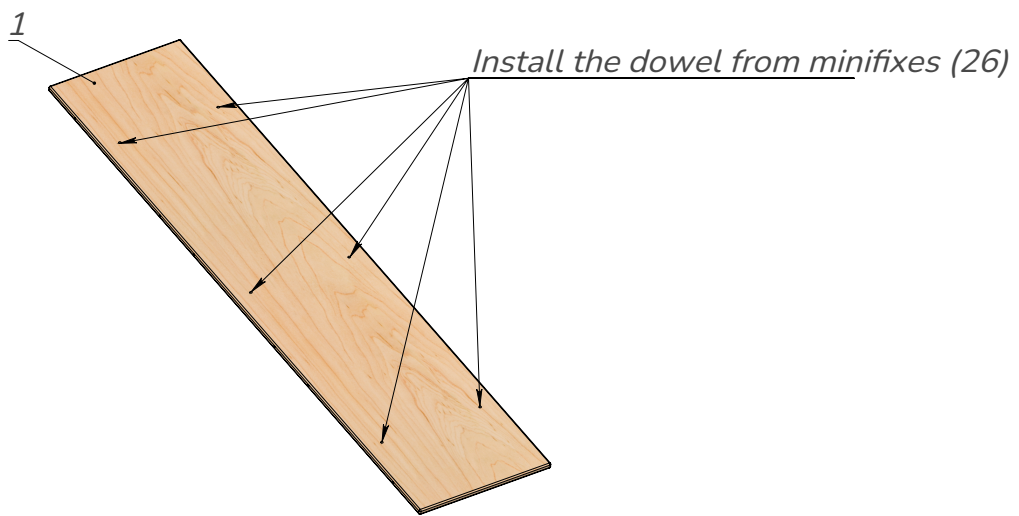
Pic. 3

Attach the middle wall (5) to the lower base (4) using the confirmat screws (24) and hex key (25). See Pic.3.



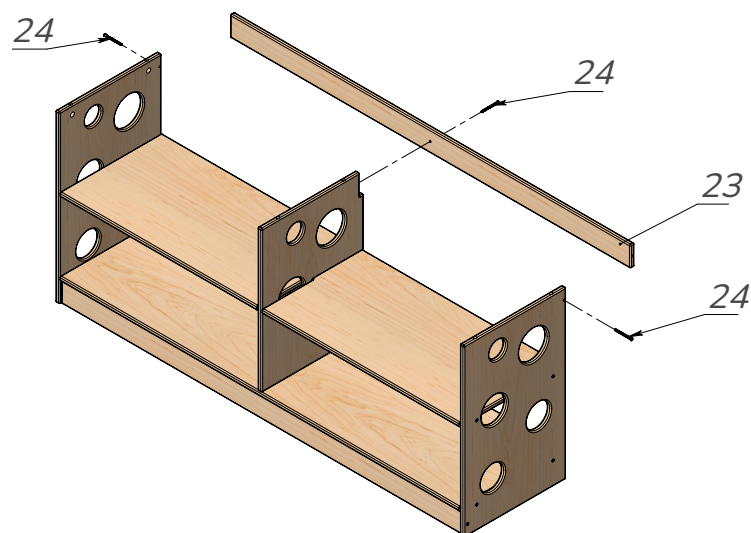
Pic. 4

Install the shelf (6) into the groove of the middle wall (5) and fix it with the confirmat screws (24). See Pic.4.



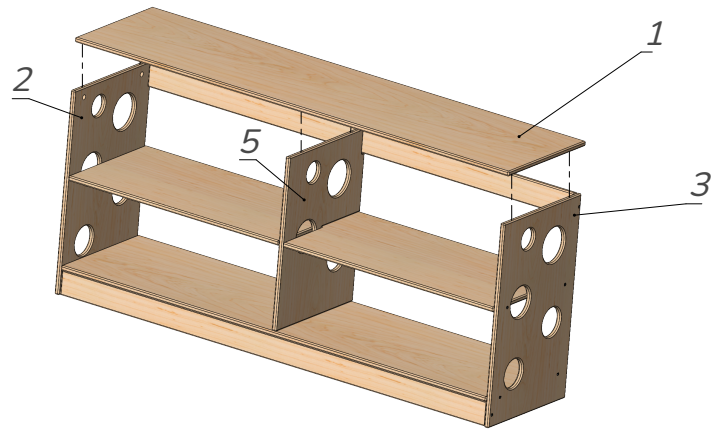
Pic. 5

Install the dowels from minifixes (26) into the upper cover (1) using the screwdriver (27). See Pic.5.



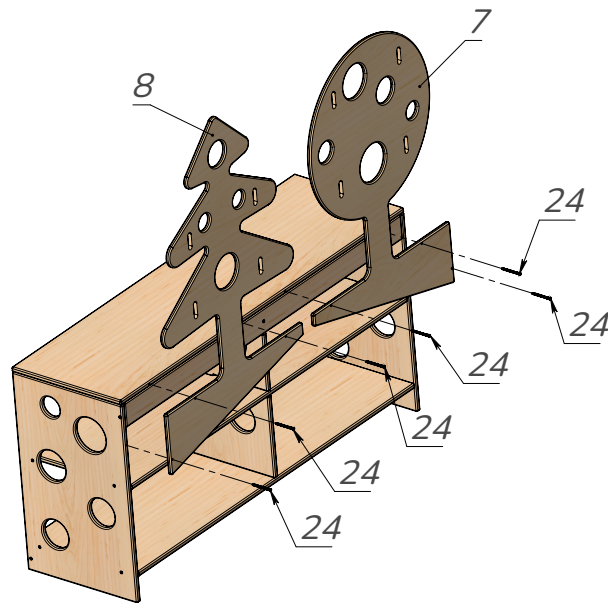
Pic. 6

Attach the upper rail (23) using the confirmat screws (24) and hex key (25). See Pic.6.



Pic. 7

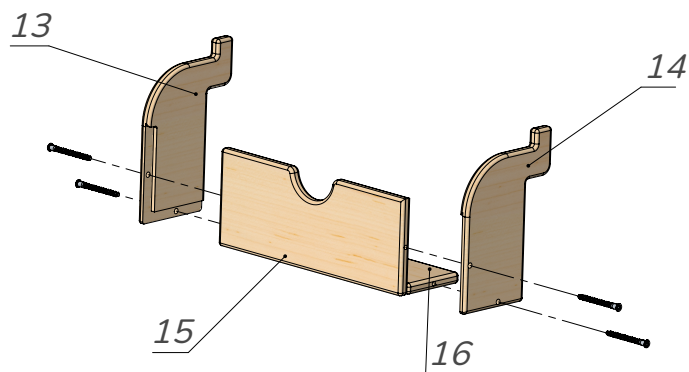
Install the upper cover (1) onto the previously assembled construction and using the screwdriver (27) close the eccentric ties located on the sidewalls (2,3) and middle wall (5) by turning them 180 degrees clockwise. See Pic.7.



Pic. 8

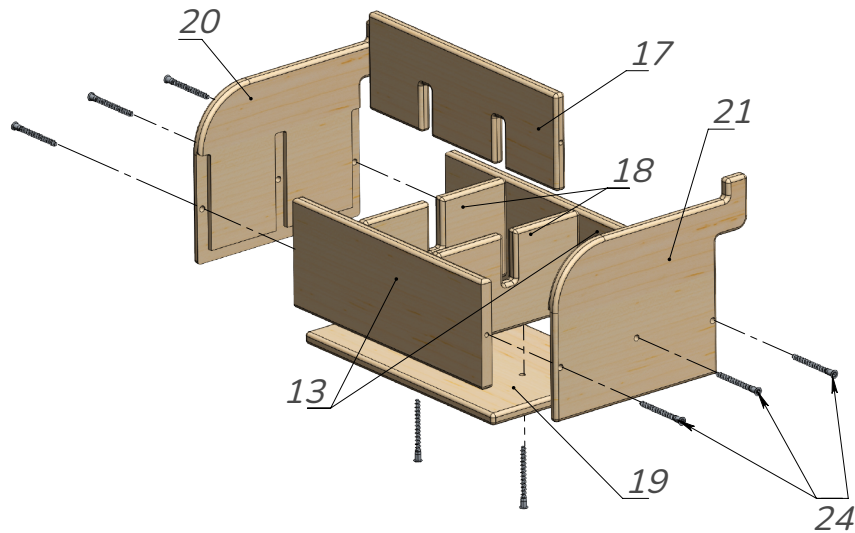
Attach the decor details (7,8) to the previously assembled construction using the confirmat screws (24). See Pic.8.

Then assemble the drawers:



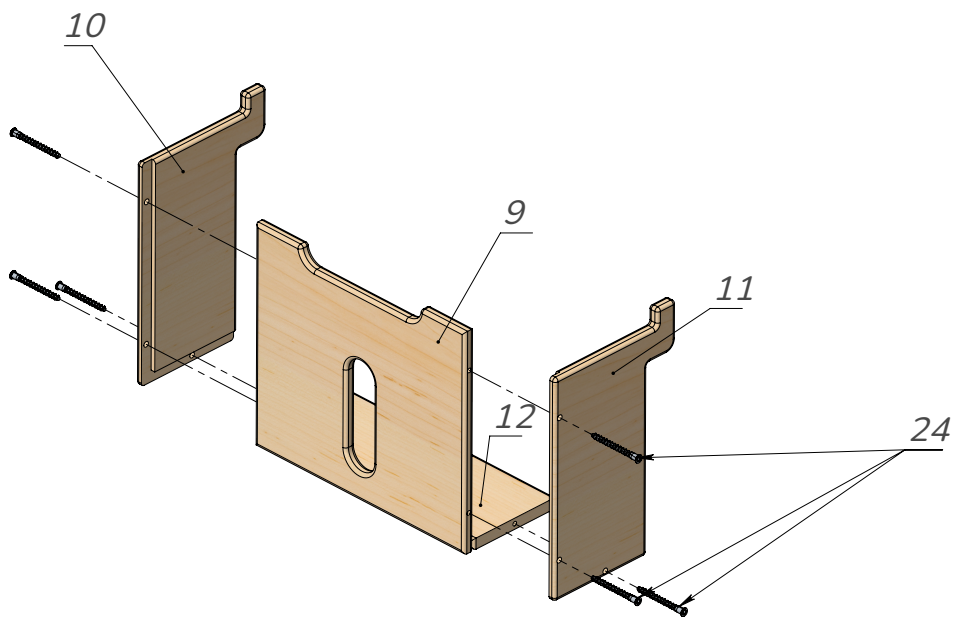
Pic. 9

Take one of the sidewalls of the drawer 2 (13 or 14) and using the confirmat screws connect the facade (15) and lower drawer plank (16) to it. Then screw another sidewall to the assembled construction. See Pic. 9.



Pic. 10

Take one of the sidewalls (20 or 21) and using the confirmat screws (24) attach the lower planks (12) to it. Then locate the short lintels (18) on the lower plank (19) and install the longer lintel (17). Fix the construction with the confirmat screws (24) and attach it to one of the sidewalls (21 or 20). Another sidewall is to be attached to the previously assembled construction. See Pic. 10.



Pic. 11

Take one of the sidewalls of the drawer (10 or 11) and using the confirmat screws, attach the facade (9) and lower plank of the drawer (12). Then attach another sidewall in a similar way. See Pic.11.



To be used for its intended purpose only and under the direct supervision of an adult!  
All the responsibility for children's injuries received during games on the furniture lies on adults watching after them.

Always be vigilant during children's games!