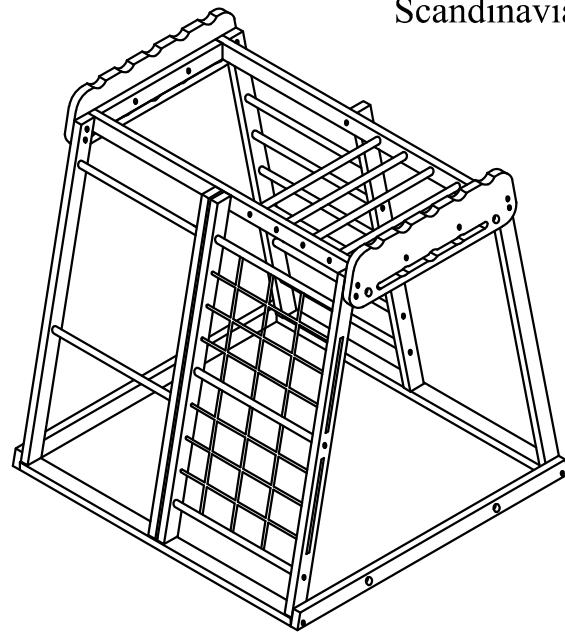


Scandinavian trapeze



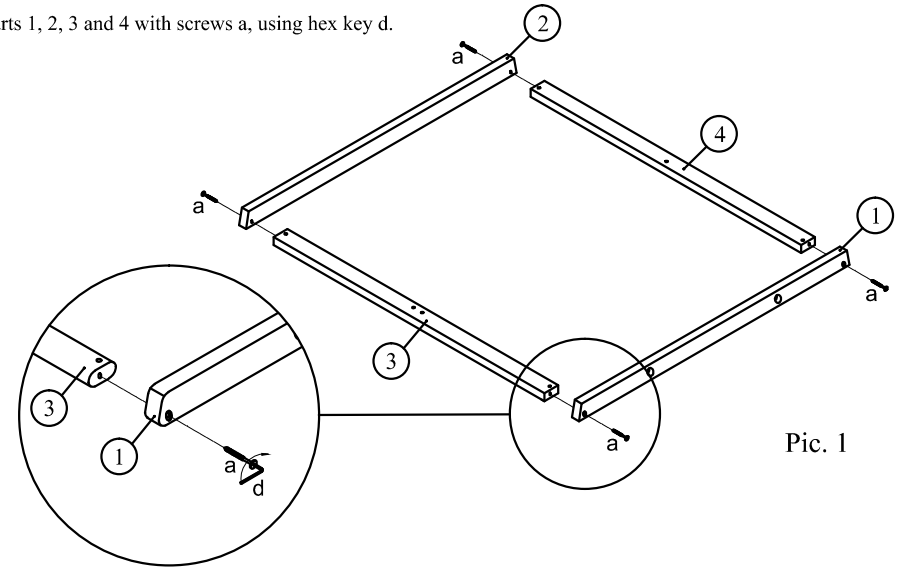
STEP 1

Lay the Bases on the floor as shown in the Pic. 1.

Mark the position of holes in the middle.

Round grooves in the Left (1) and Right (2) bases should look outside.

Screw the parts 1, 2, 3 and 4 with screws a, using hex key d.



Pic. 1

ASSEMBLY PARTS

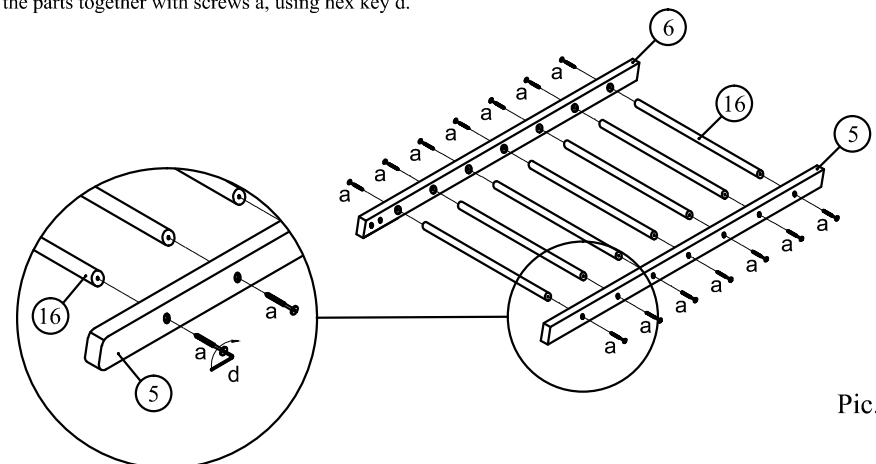
<p>1 980 Right base (1 pc)</p>	<p>2 980 Left base (1 pc)</p>	<p>3 990 Front base (1 pc)</p>
<p>4 990 Back base (1 pc)</p>	<p>5 1005 Ladder with many steps side 1 (1 pc)</p>	<p>6 1005 Ladder with many steps side 2 (1 pc)</p>
<p>7 1005 Ladder with 2 steps side 1 (1 pc)</p>	<p>8 1005 Ladder with 2 steps side 2 (1 pc)</p>	<p>9 1005 Corner stand (1 pc)</p>
<p>10 990 Upper ladder side 1 (1 pc)</p>	<p>11 990 Upper ladder side 2 (1 pc)</p>	<p>12 452 Upper ladder lintel (2 pcs)</p>
<p>13 609 Sidewall 1 (1 pc)</p>	<p>14 609 Sidewall 2 (1 pc)</p>	<p>15 Rope ladder (1 pc)</p>
<p>16 Long nog (13 pcs)</p>	<p>a Flat head 50 mm screw (44 pcs - 5 pcs spare)</p>	<p>b Flat head 30 mm screw (12 pcs - 2 pcs spare)</p>
<p>c Flat head 17 mm dull nut (12 pcs - 2 pcs spare)</p>	<p>d 4mm hex key (2 pcs)</p>	

STEP 2

Assemble the Ladder with many steps as shown in the Pic. 2.

Take the sides of the Ladder (5, 6) and 7 long nogs (16).

Screw the parts together with screws a, using hex key d.

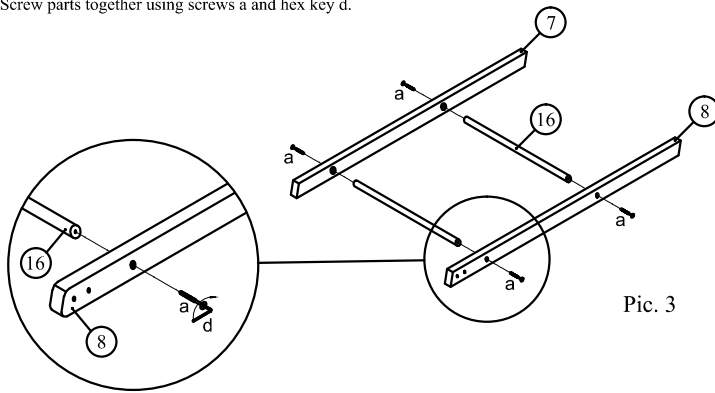


Pic. 2

To be used under the direct supervision of an adult only. Always be vigilant during children's games.

STEP 3

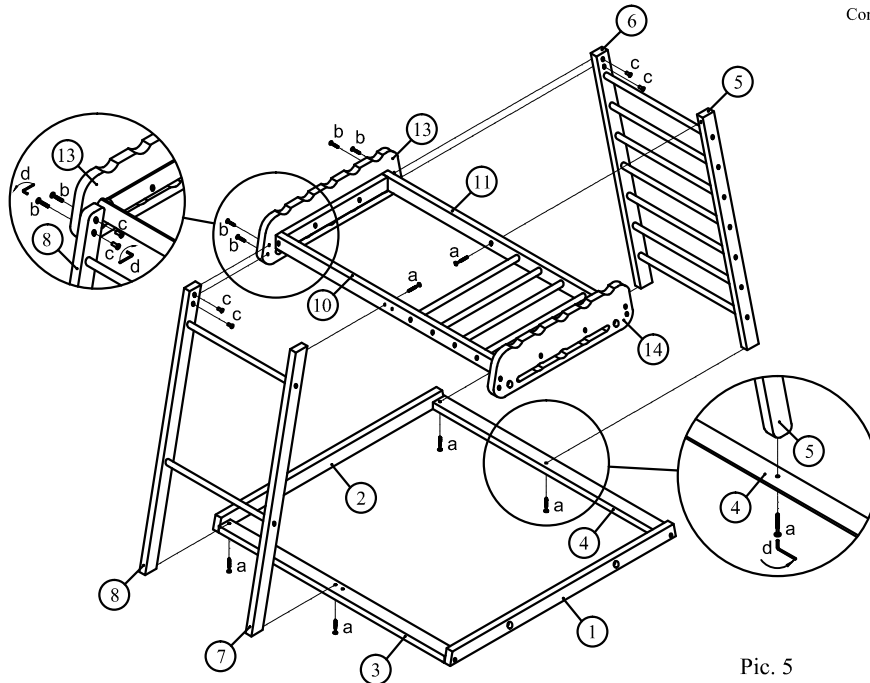
Assemble the Ladder with 2 steps as shown in the Pic.3.
Take the sides of the Ladder (7, 8) and 2 long nogs (16).
Screw parts together using screws a and hex key d.



Pic. 3

STEP 5

Assemble the parts together as shown in the Pic. 5. Mark the positions of the holes on the ladders.
If you ordered a set with additional ladder, note that the round grooves on the Sidewall (14) and Right lower base (1) should be on the same side.
Both ladders (with 2 steps and with many steps should be located opposite each other).

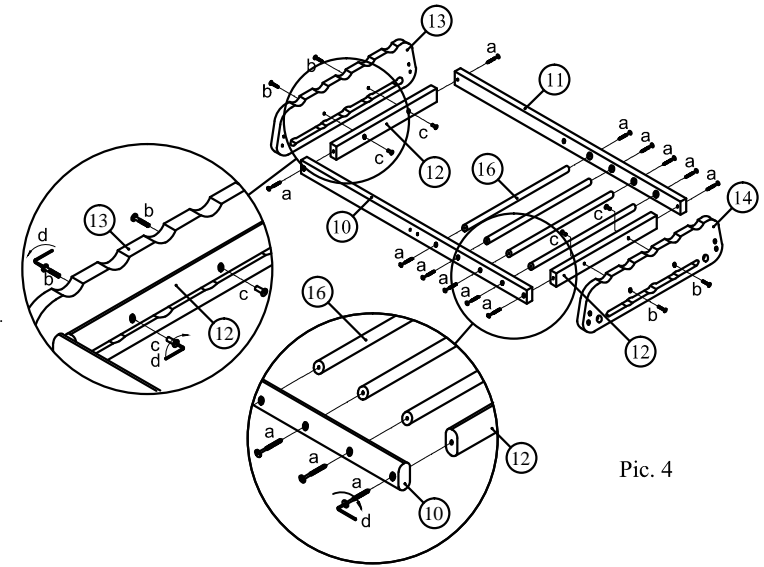


Pic. 5

STEP 4

Assemble the Upper ladder. Start with Upper ladder side (10),
and both Upper ladder lintels (12) Sidewalls.
Please note the position of the holes with round grooves
on the sides of the ladder - they should look inside. See Pic. 4.
Connect the Lintels (12) with screws a using hex key d.

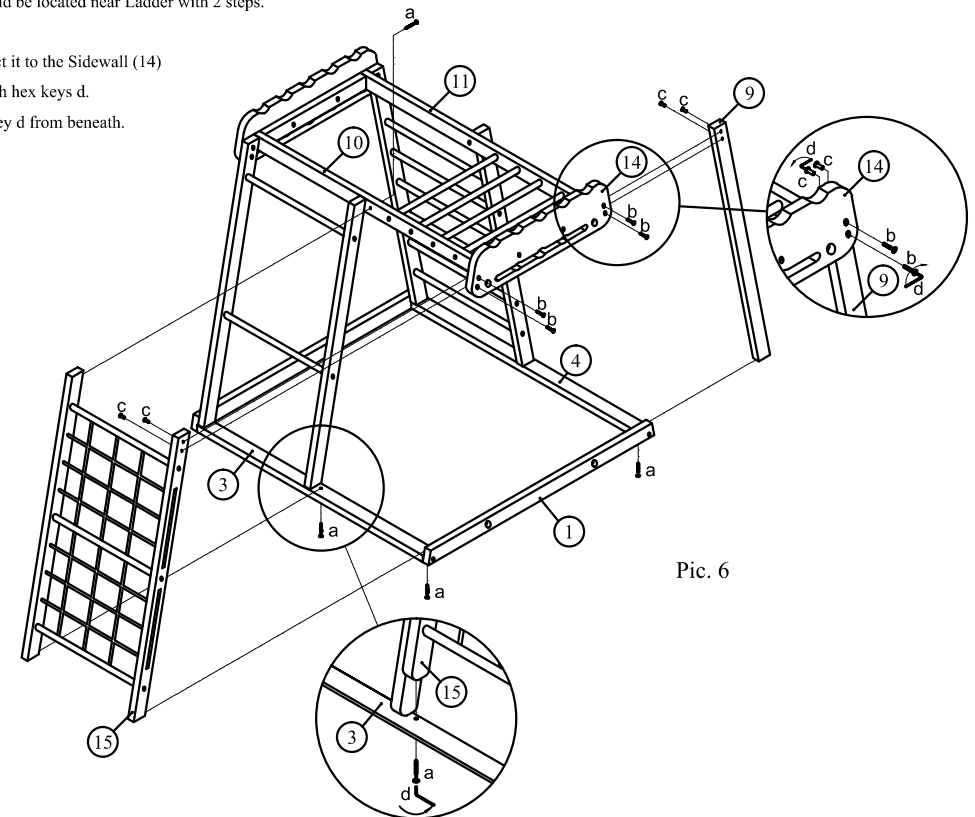
Connect the Sidewalls (13, 14) to Lintels (12)
using screws b, nuts c and both hex keys d.
If you ordered a set with additional ladder,
mark the position of the round grooves on one of the Sidewalls (14).
Proceed with 4 long nogs (16). Screw them to the ladder side
with screws a and hex key d.
Then add another Ladder sidewall (11)
and connect the Sidewalls (13, 14) to it when it is fixed.



Pic. 4

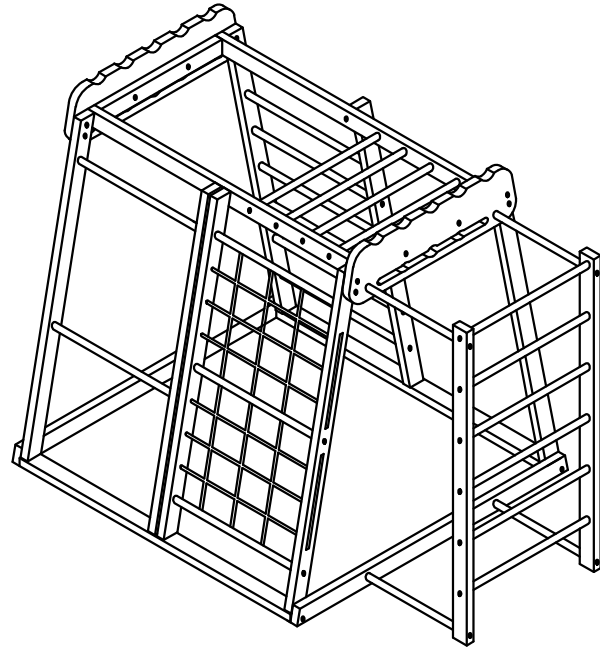
STEP 6

Take the Rope ladder (15). It should be located near Ladder with 2 steps.
To finish the general construction,
take a Corner stand (9) and connect it to the Sidewall (14)
with screws b and nuts c using both hex keys d.
Connect it with screw a and hex key d from beneath.



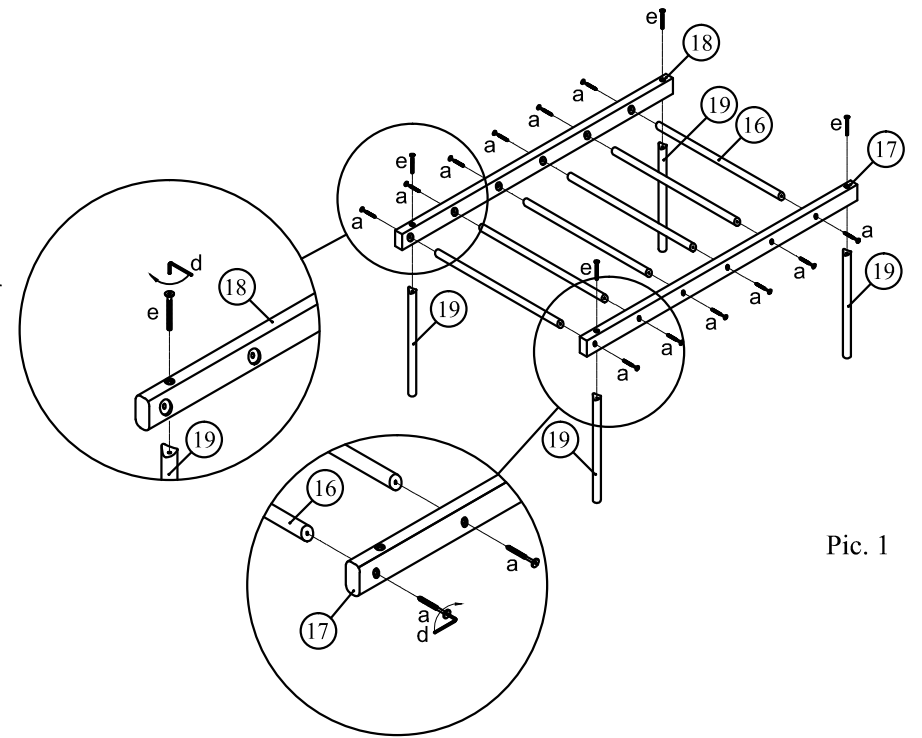
Pic. 6

Scandinavian trapeze with additional ladder



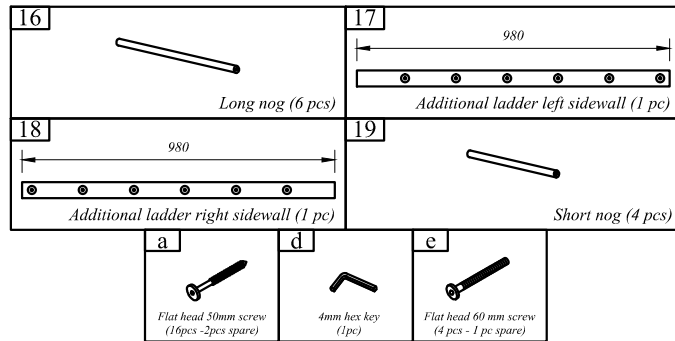
STEP 1

Take the Additional ladder sidewalls and 6 long nogs (16).
Screw them together to form a ladder using screws a and hex key d.
Then take 4 short nogs (19) and, using long screws e and hex key d, connect them to the ladder from beneath as shown in the Pic. 1.



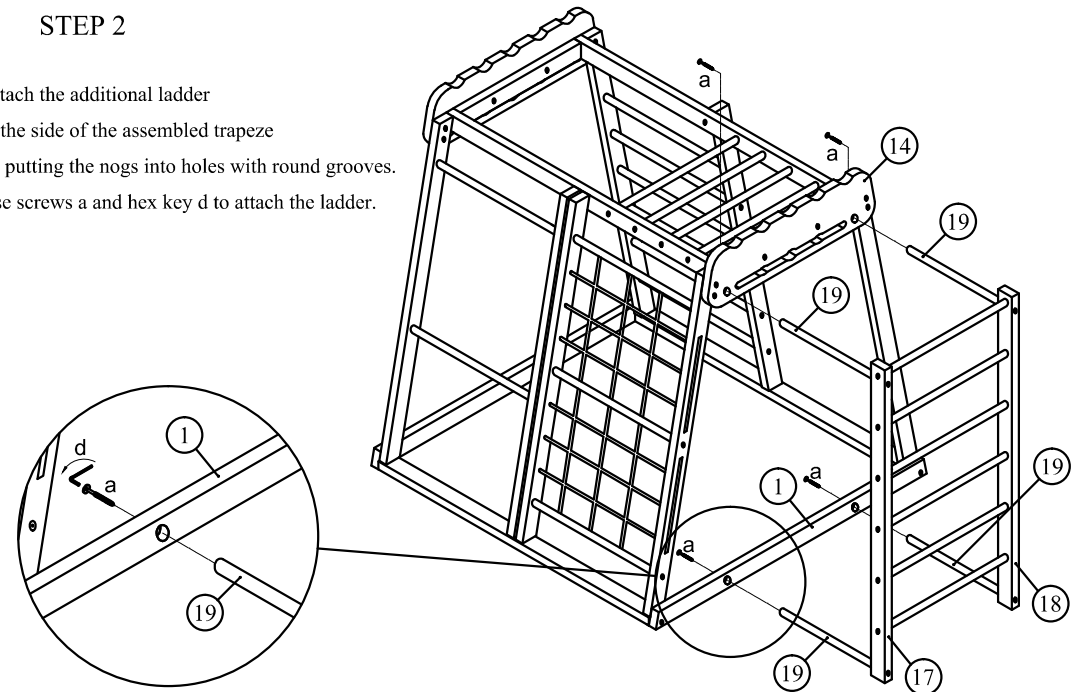
Pic. 1

ASSEMBLY PARTS



STEP 2

Attach the additional ladder to the side of the assembled trapeze by putting the nogs into holes with round grooves. Use screws a and hex key d to attach the ladder.



Pic. 2

To be used under the direct supervision of an adult only. Always be vigilant during children's games.