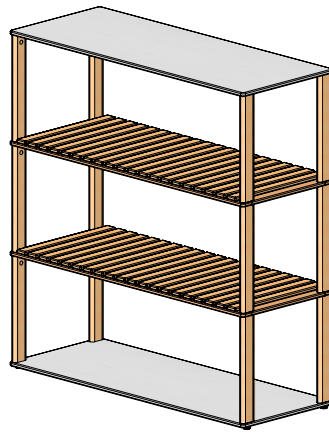


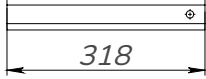
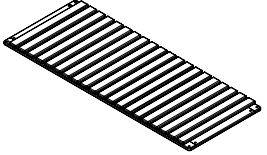

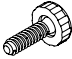
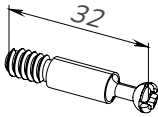
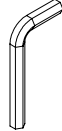



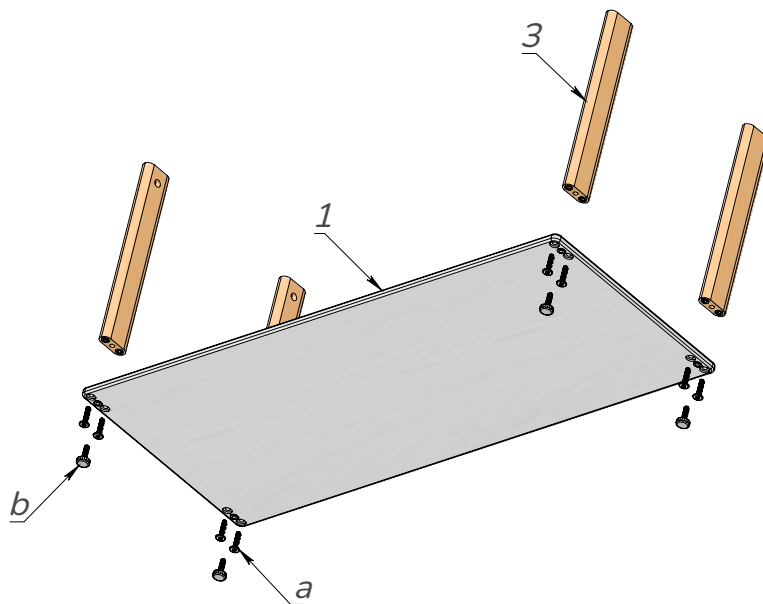
# Rectangular, 4 shelves



## ASSEMBLY DETAILS

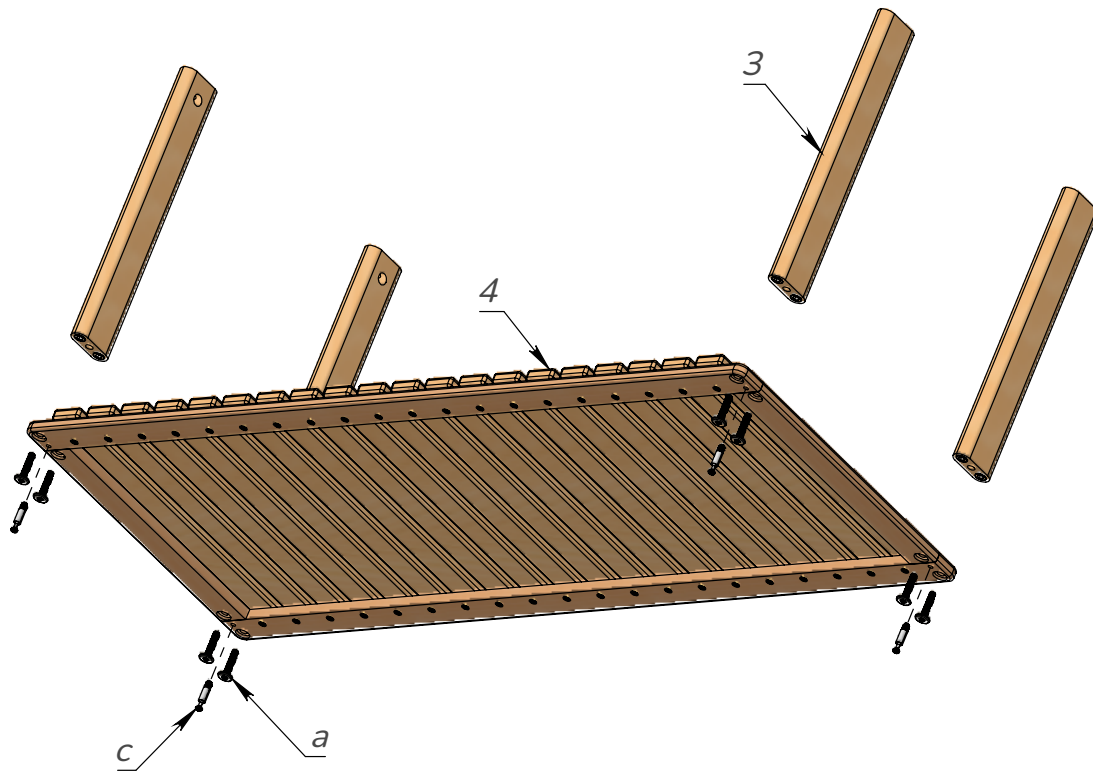
<p>1 - Base</p>  <p>1 pc.</p>	<p>2 - Upper shelf</p>  <p>1 pc.</p>	<p>3 - Stand</p>  <p>8 pcs.</p>	<p>4 - Shelf</p>  <p>2 pcs.</p>	
<p>a - Screw M6x30</p>  <p>16 pcs.</p>	<p>b - Furniture leg M6</p>  <p>4 pcs.</p>	<p>c - Minifix dowel 32 mm</p>  <p>8 pcs.</p>	<p>d - 4 mm hex key</p>  <p>1 pc.</p>	<p>e - Screwdriver</p>  <p>1 pc.</p>

\*eccentric ties are pre-installed into the details



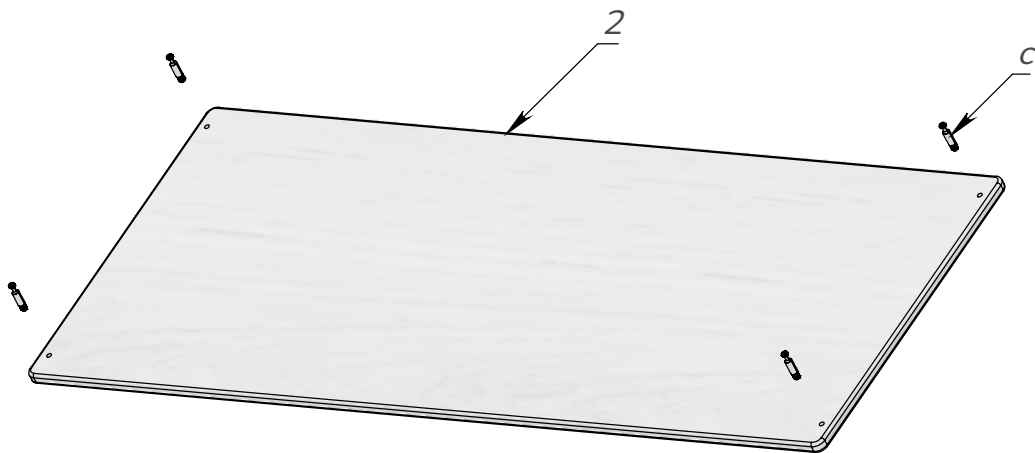
Pic. 1

Take the base (1) and attach the stands (3) by screwing them from beneath with screws (a) and hex key (d). Also screw the furniture legs (b) in from beneath. See Pic. 1.



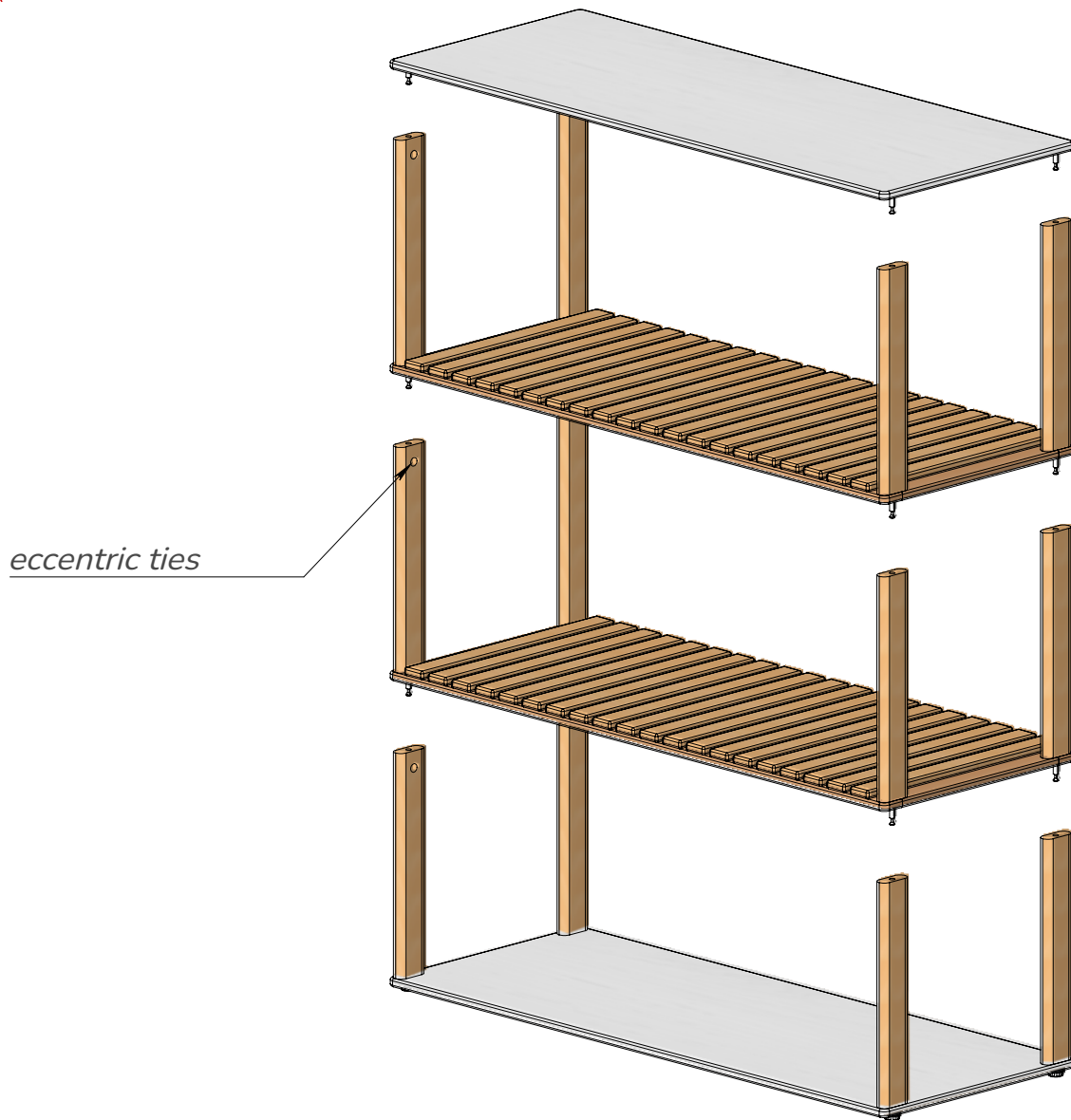
Pic. 2

Take one of the shelves (4) and attach the stands (3) with screws (a) from beneath using the hex key (d). Also, screw the minifix dowels (c) from beneath, using the screwdriver (e). See Pic. 2. Do the same with another shelf.



Pic. 3

Take the upper shelf (2) and install the dowels (c) in it using the screwdriver (e). See Pic. 3.



Pic. 4

Join the previously assembled constructions together. Turn the eccentric ties pre-installed into the stands clockwise by 180 degrees with screwdriver (e). See Pic. 4.



Use only for its intended purpose, indoors, under the direct supervision of adults.  
Maximum load weight - 30 kg / 66 lbs.  
Responsibility for any damage incurred by children during play on the furniture rests with the supervising adults.  
Always be vigilant during children's games. Do not let children to climb on the product.  
Have any questions? Contact us: [support@woodandhearts.com](mailto:support@woodandhearts.com)