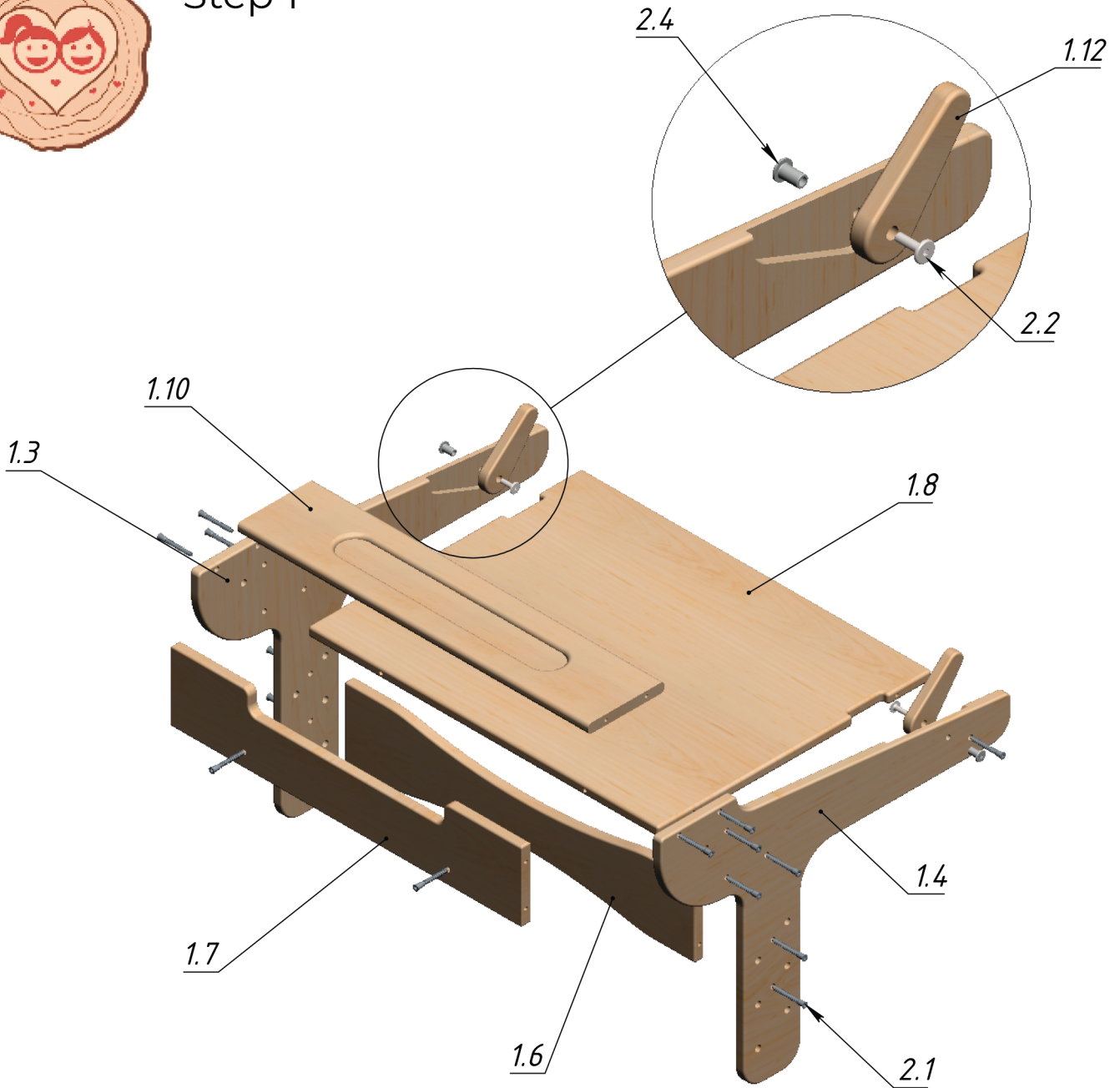
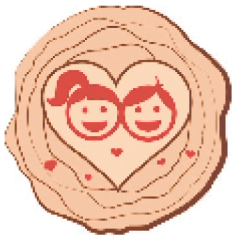


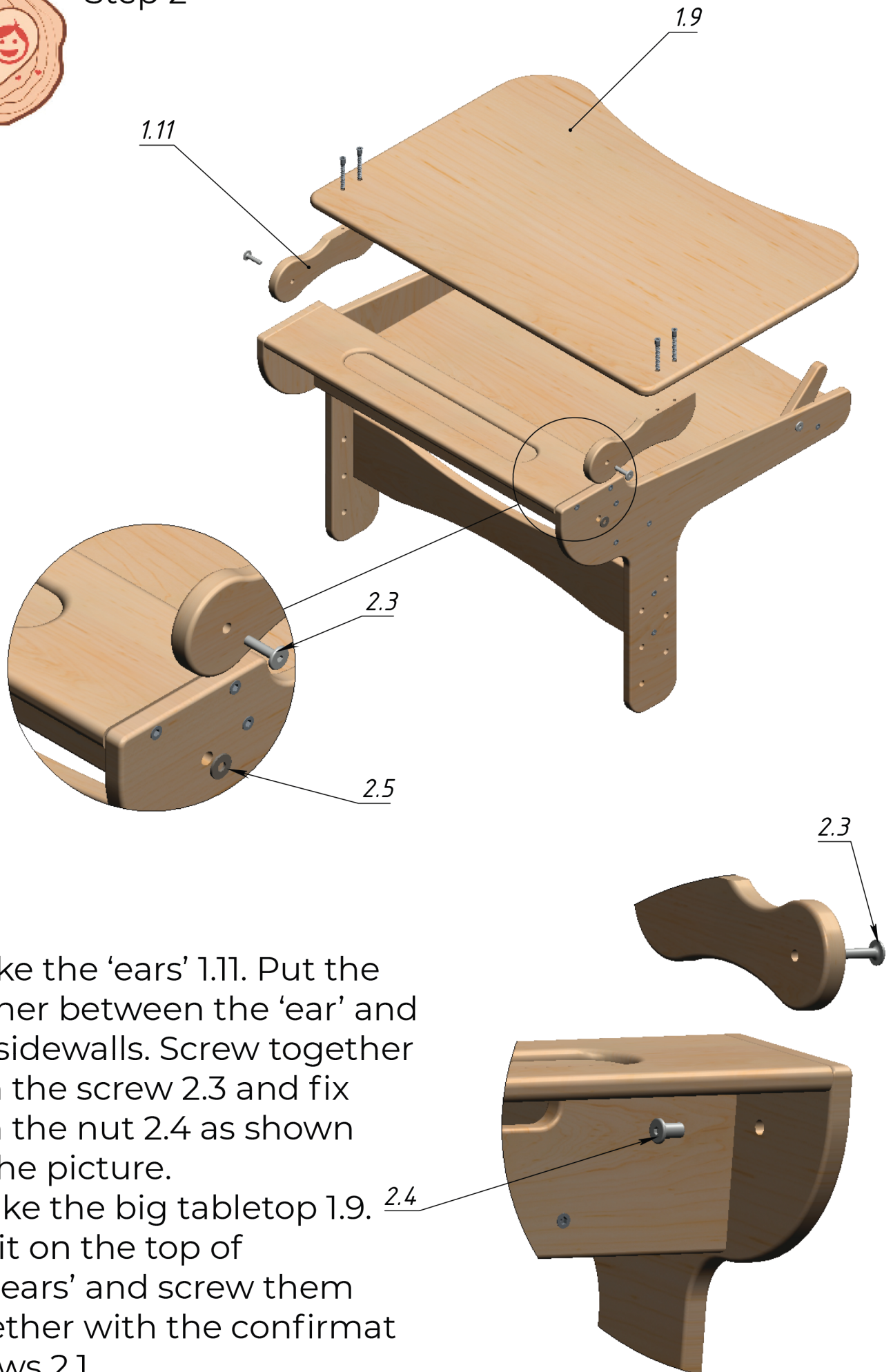
## Step 1



1. Take the right sidewall 1.3 and supporter 1.12 (page 1). Connect the details with the help of the screw 2.2 and a nut as shown on the picture. Repeat with the left sidewall 1.4.
2. Take the right 1.3. and left 1.4. and upper lintel 1.6, facade 1.7, bottom 1.8, and small tabletop 1.10 (page 1). Connect the details with the confirmat screws 2.1.

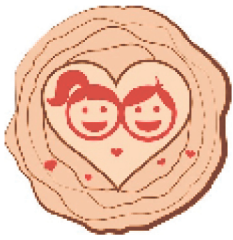


## Step 2

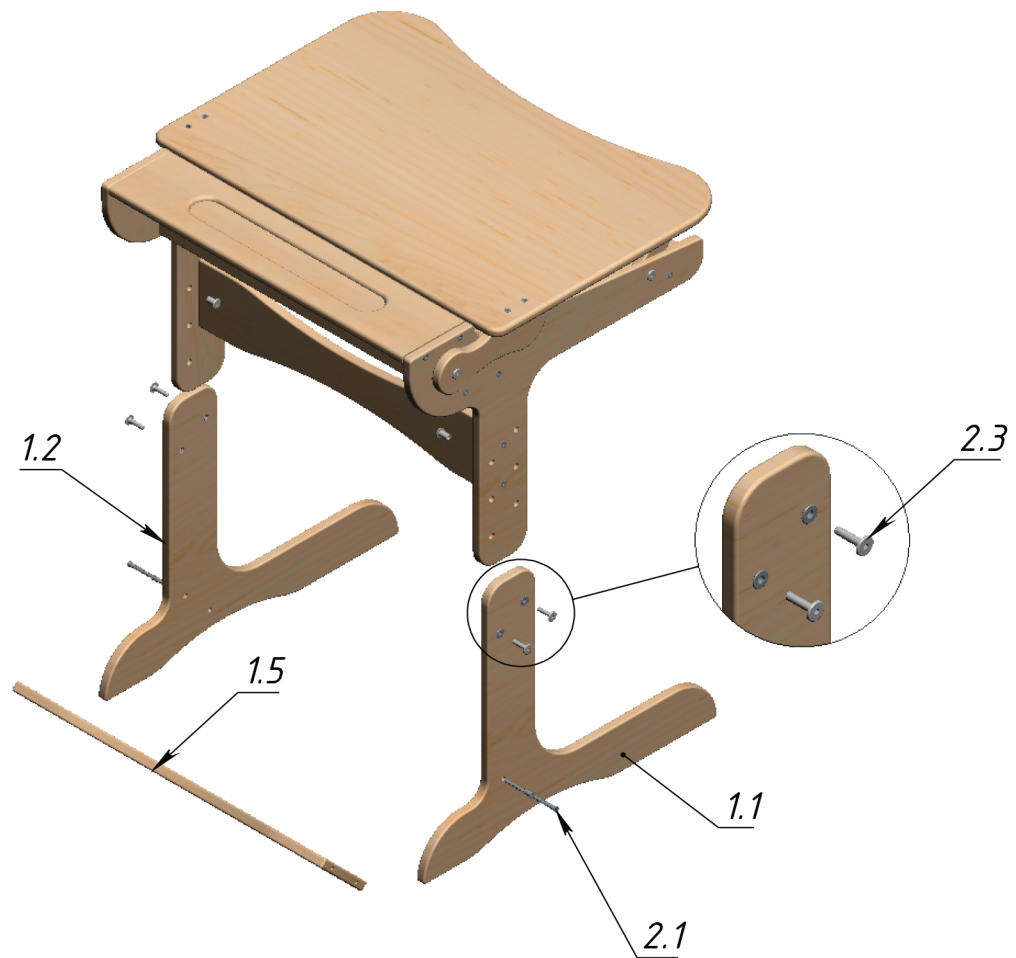


1. Take the 'ears' 1.11. Put the washer between the 'ear' and the sidewalls. Screw together with the screw 2.3 and fix with the nut 2.4 as shown on the picture.

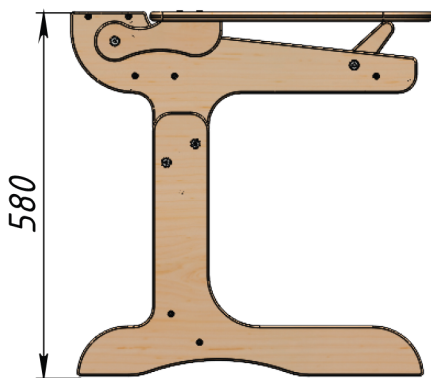
2. Take the big tabletop 1.9. Put it on the top of the 'ears' and screw them together with the confirmat screws 2.1.



### Step 3

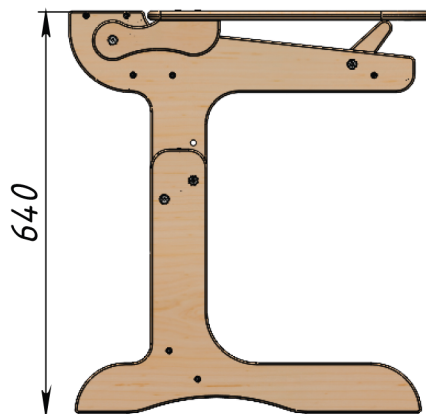


1. Take the right leg 1.1, left leg 1.2 and lower lintel 1.5. Screw the details together with the confirmat screws 2.1.
2. Take the assembled constructions. Connect them with the screws 2.3. as shown in the picture.



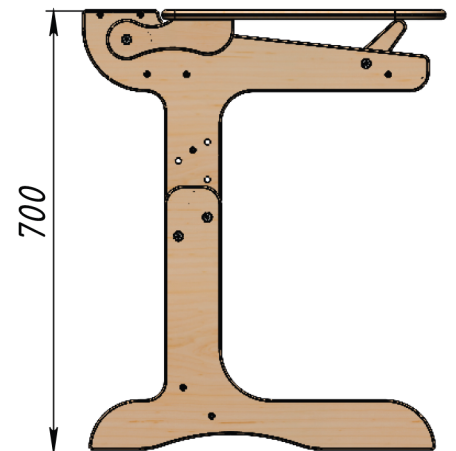
580

8-10 years



640

10-14 years



700

12-16 years

**To be used under the direct supervision of an adult only.  
Always be vigilant during children's games**

Have any questions? Contact us: [support@woodandhearts.com](mailto:support@woodandhearts.com)