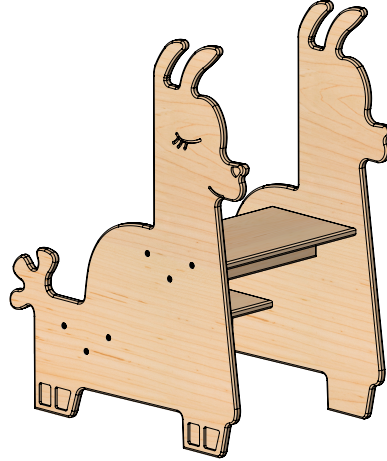
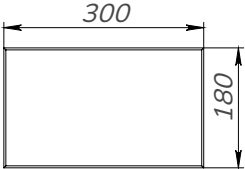
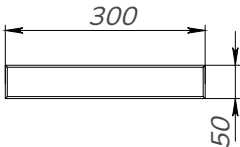
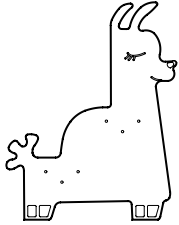


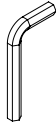
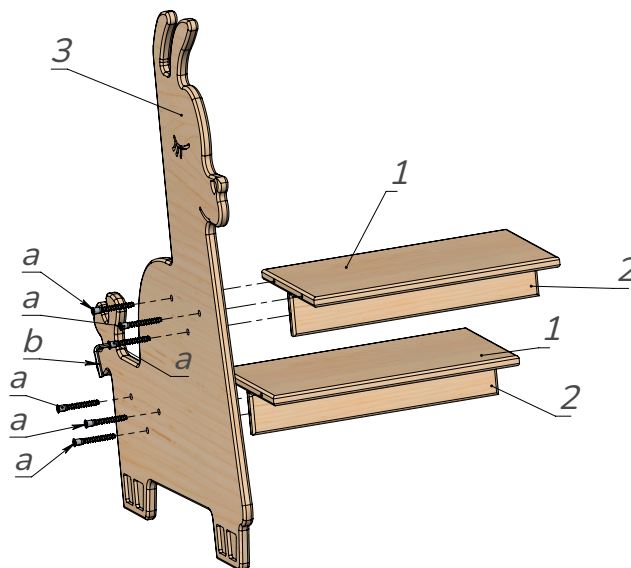


Ladder step desk "Alpaca"



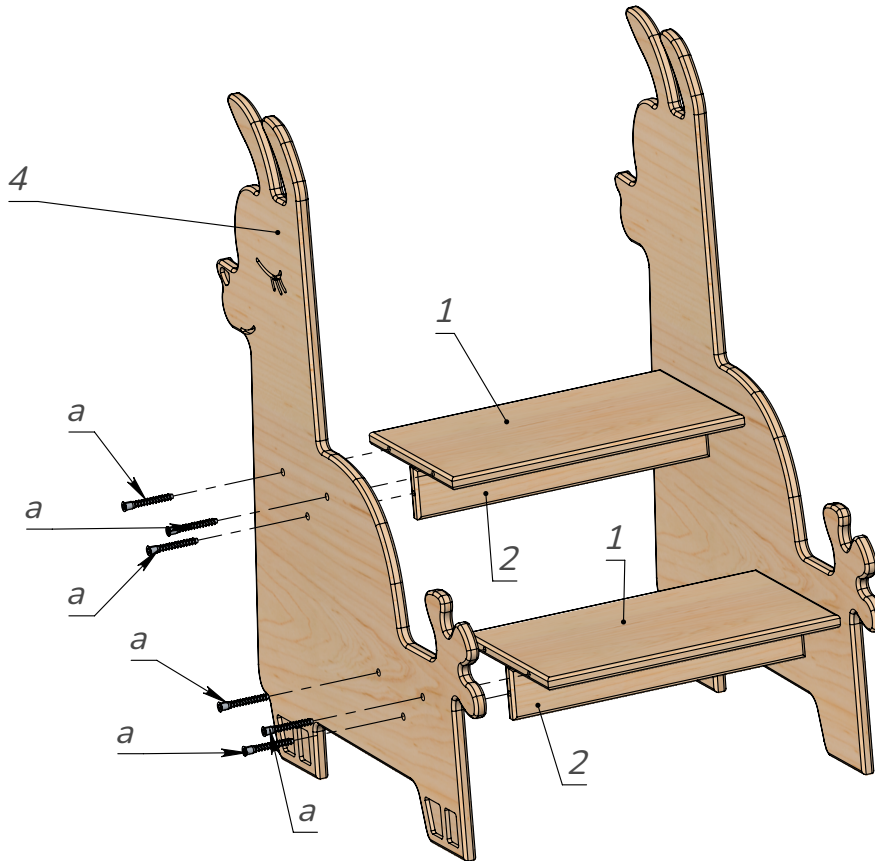
ASSEMBLY DETAILS

<p>1 - Platform</p>  <p>2 pcs.</p>	<p>2 - Lintel</p>  <p>2 pcs.</p>	<p>3 - Right sidewall</p>  <p>1 pc.</p>
<p>4 - Left sidewall</p>  <p>1pc.</p>	<p>a - Confirmat screw 6.3x50</p>  <p>12 pcs. + 2 spare</p>	<p>b - 4 mm hex key</p>  <p>1 pc.</p>



Pic. 1

Take both platforms (1) and lintels (2) and attach them to the right sidewall (3) using the confirmat screws (a) and hex key (b). See Pic.1.



Pic. 2

Using the confirmat screws (a) and a hex key (b), attach the right sidewall (4) to the previously assembled construction. See Pic.2.



To be used for its intended purpose only and under the direct supervision of an adult!

All the responsibility for children's injuries received during games on the furniture lies on adults watching after them.

Always be vigilant during children's games!