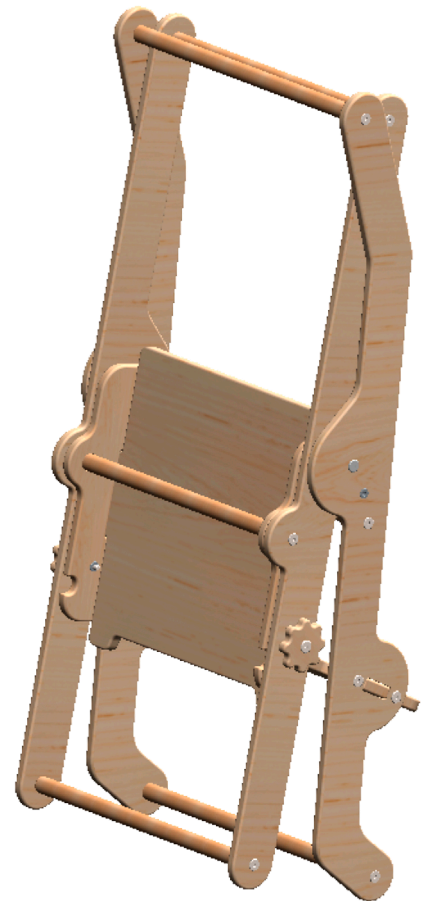
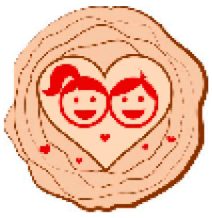


LADDER CHAIR

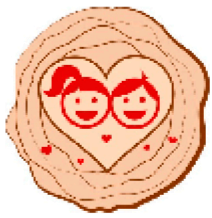


Video assembly here
Scan to watch!

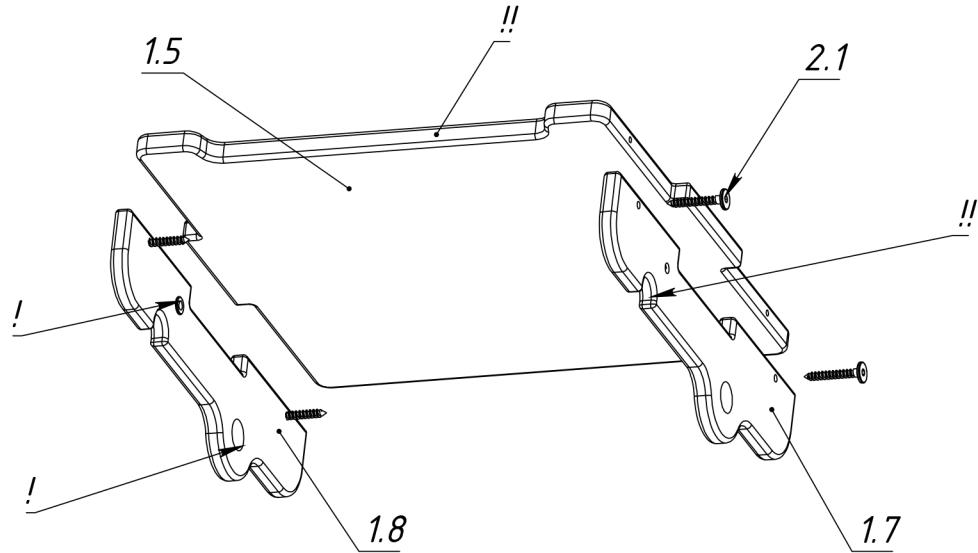


ASSEMBLY PARTS

<p>1.1</p> <p>1pc</p> <p><i>Outer plank left</i></p>		<p>1.2</p> <p>1pc</p> <p><i>Outer plank right</i></p>	
<p>1.3</p> <p>1pc</p> <p><i>Inner plank left</i></p>		<p>1.4</p> <p>1pc</p> <p><i>Inner plank right</i></p>	
<p>1.5</p> <p>1pc</p> <p><i>Platform</i></p>	<p>1.6</p> <p>1pc</p> <p><i>Step</i></p>	<p>1.7</p> <p>1pc</p> <p><i>Connector left</i></p>	<p>1.8</p> <p>1pc</p> <p><i>Connector right</i></p>
<p>1.9</p> <p>2pcs</p> <p><i>Level controller</i></p>	<p>1.10</p> <p>3pcs</p> <p><i>Short nog</i></p>	<p>1.11</p> <p>3pcs</p> <p><i>Long nog</i></p>	<p>2.1</p> <p>20pcs</p> <p><i>Flat head screw</i></p>
<p>2.2</p> <p>2pcs</p> <p><i>Flat head 20mm screw</i></p>	<p>2.3</p> <p>2pcs</p> <p><i>Shim</i></p>	<p>2.4</p> <p>1pc</p> <p><i>4mm hex key</i></p>	



STEP 1

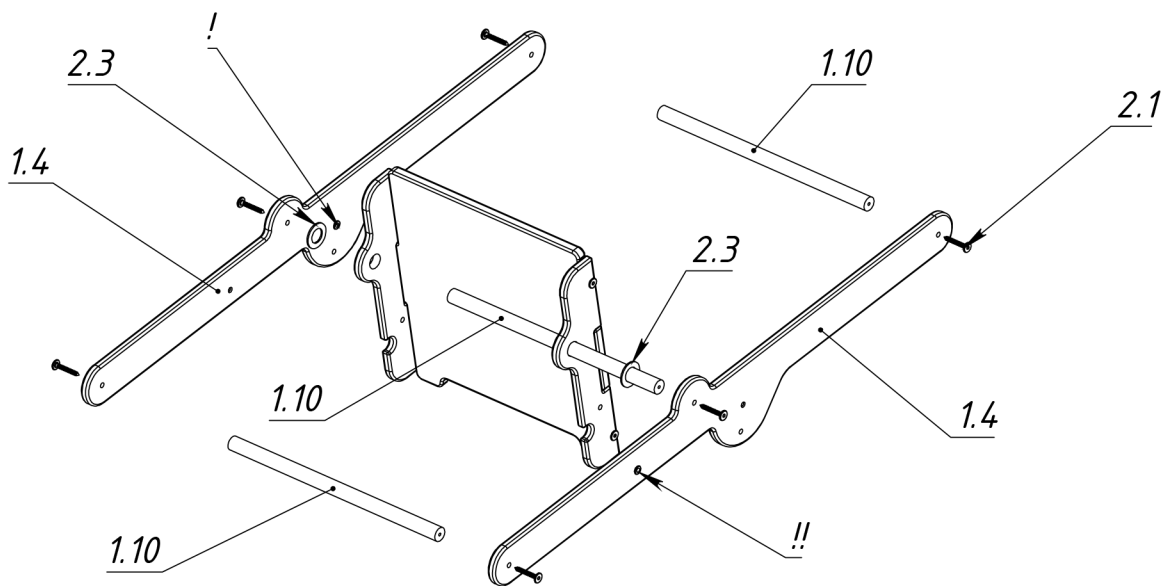


Take the Platform (1.5) and screw it together with the Connectors (1.7; 1.8) using the Confirmat screws (2.1) as shown on the picture.

! - nuts look inside

!! - Pay attention to position

STEP 2

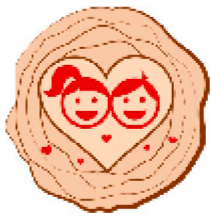


Take the structure assembled in Step 1 and insert the Short nog (1.10) through the holes in the Connectors. Put the Shims (2.4) on both ends of the nog.

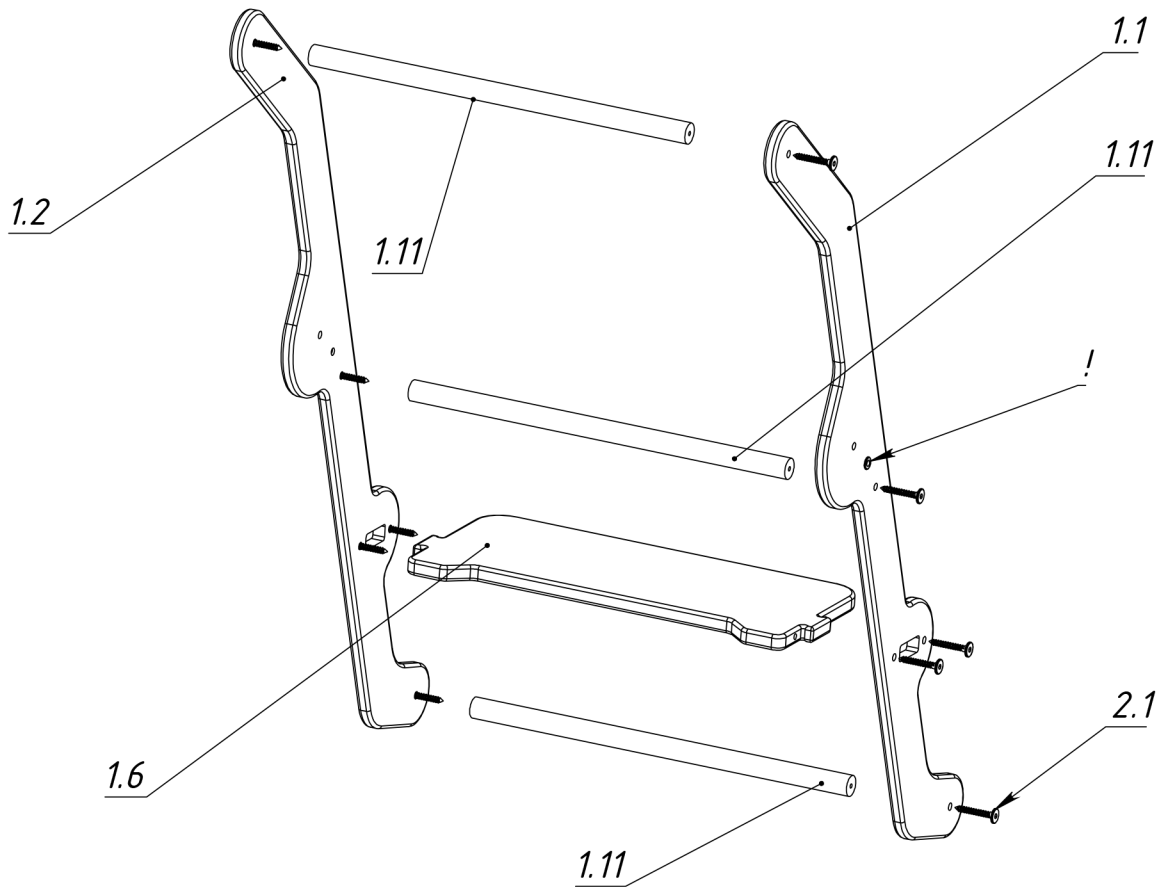
Then take the Inner Planks (1.3; 1.4) and connect it to the nog with Confirmat screws as shown on the picture. Do not tighten the screws. Insert 2 more Short nogs (1.10) between the Inner planks on top and bottom and screw the parts together with Confirmat screws. Tighten them this time.

! - nuts look inside

!! - Pay attention to position



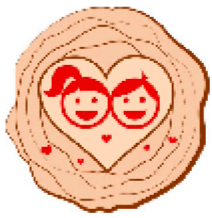
STEP 3



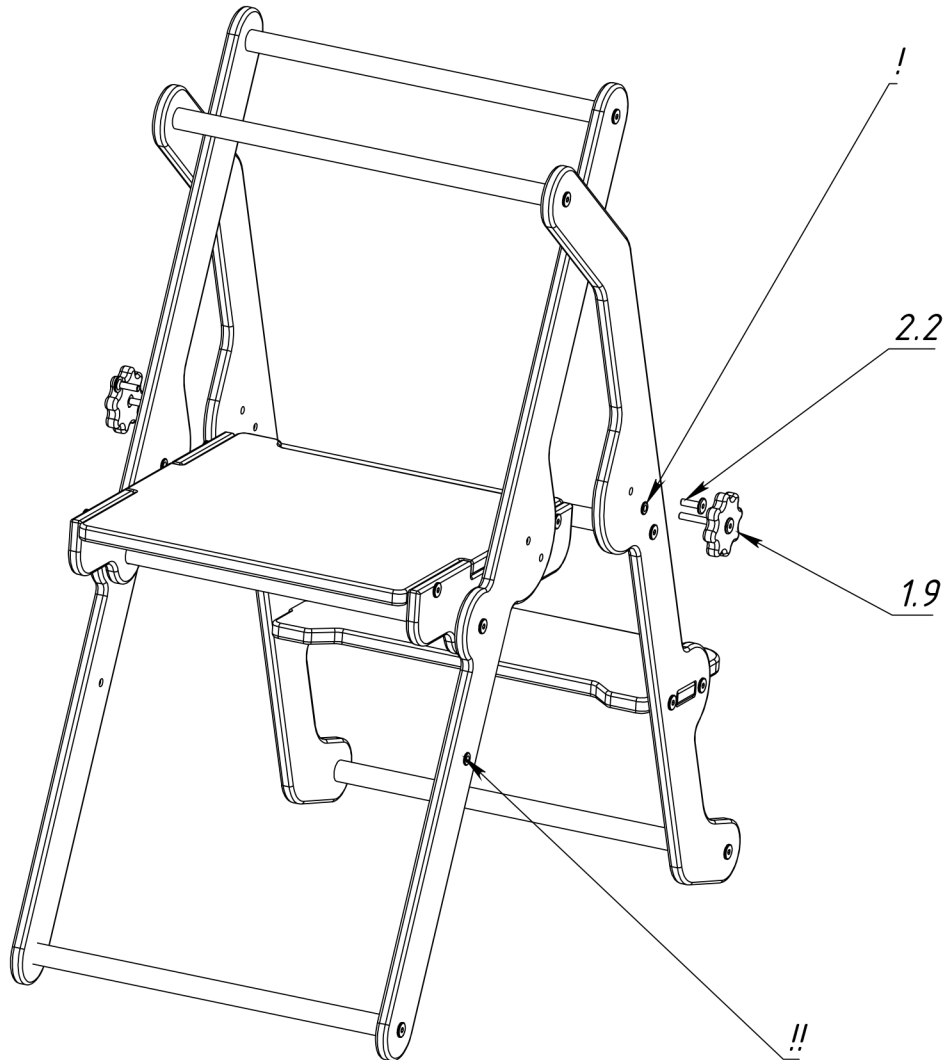
Take the outer planks (1.1; 1.2) and position them as shown on the picture. Now take the Long nogs (1.11) and insert them between the Outer planks from top and bottom with flat head screws (2.2). Do not tighten the screws.

Take a Step (1.6) and insert its ends into special rectangular holes in the Outer planks. Fix it with the Confirmat screws.

! - nuts look out



STEP 4



To fix them to the Inner planks, please use Flat head 20 mm screws (2.2)

Check to have all the part used, then tighten all the screws. Use Level controller (1.9) to fold and unfold the product.

! - nuts look out

!! - Pay attention to position

**To be used under direct supervision of an adult.
Always be vigilant during children's games**