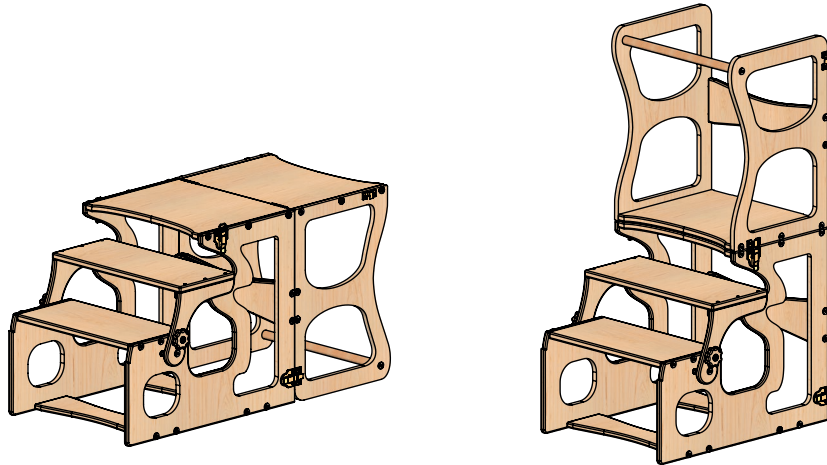
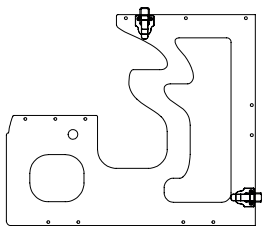
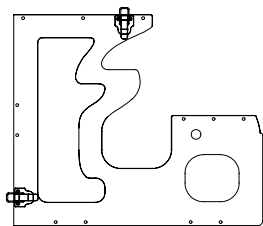
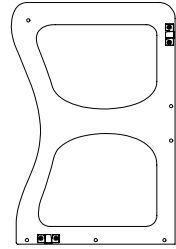
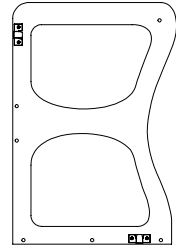
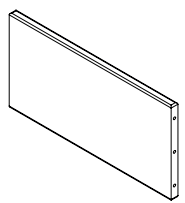
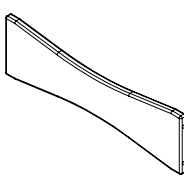

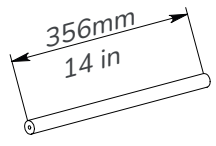
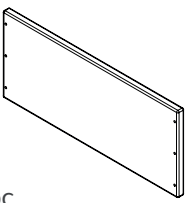
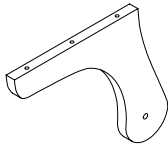
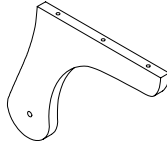
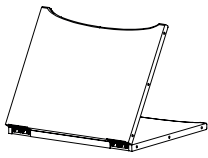
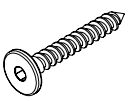
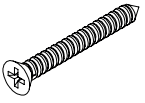

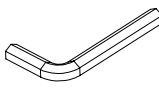
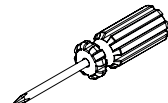
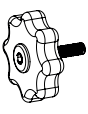
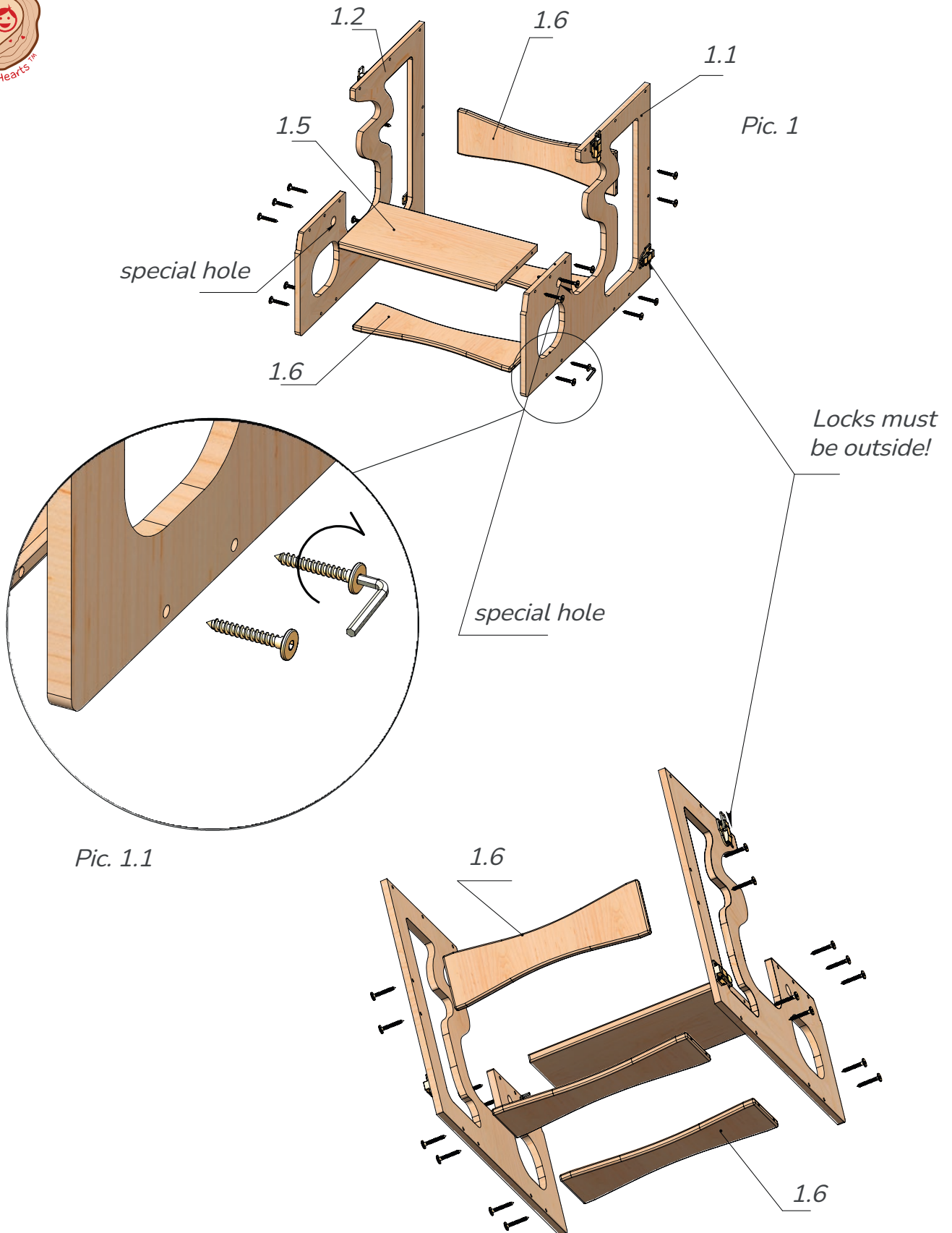


# Chair with back, Simple Shapes cutouts

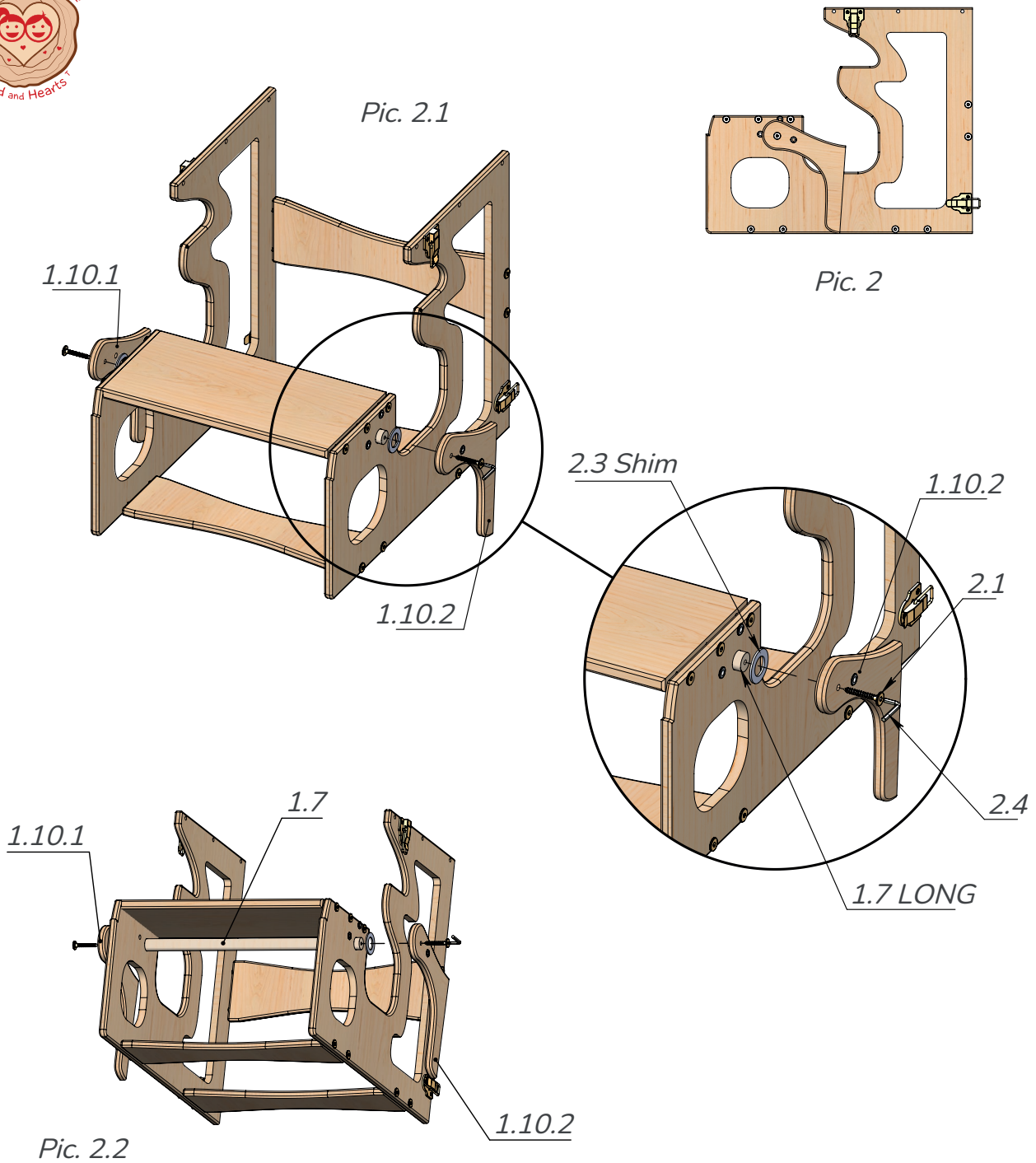


## ASSEMBLY DETAILS

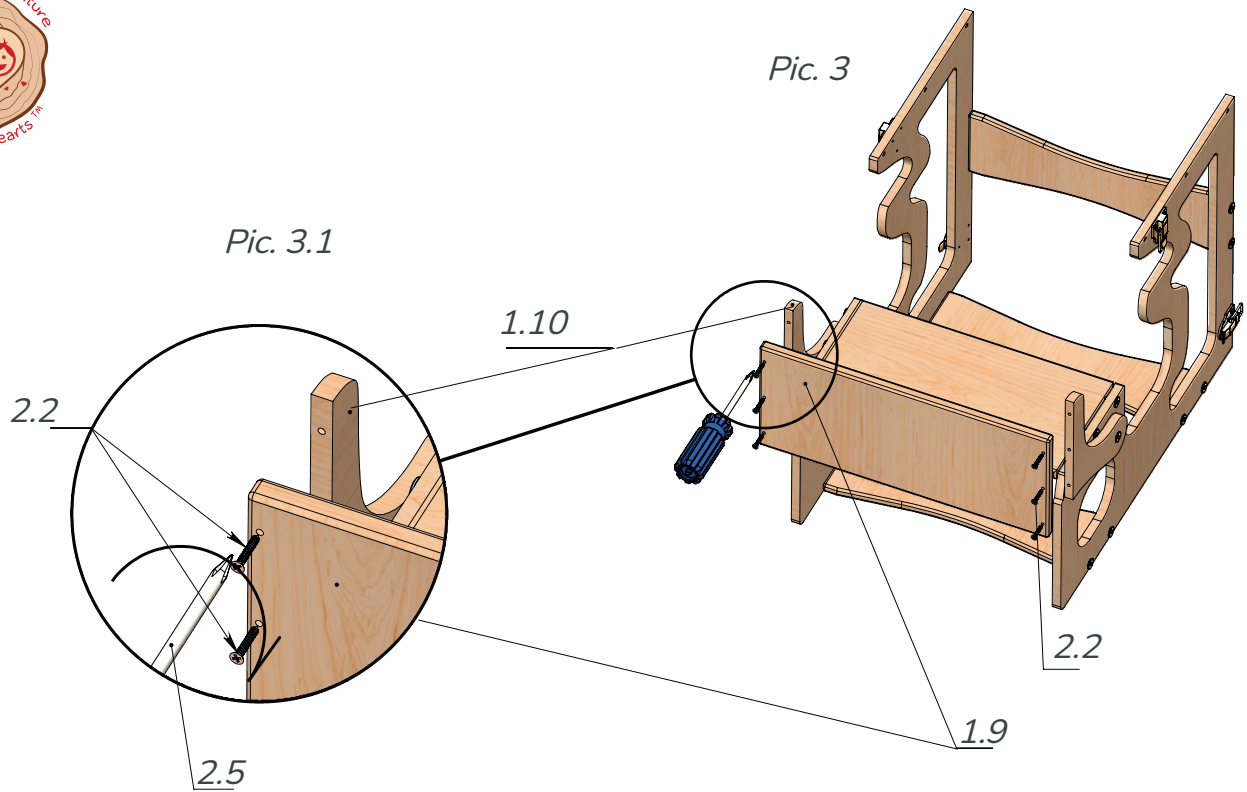
|  |  |  |  |  |
|--|--|--|--|--|
| <p>1.1 - Lower sidewall Right</p>  <p>1 pc.</p>      | <p>1.2 - Lower sidewall Left</p>  <p>1 pc.</p> | <p>1.3 - Top sidewall Right</p>  <p>1 pc.</p> | <p>1.4 - Top sidewall Left</p>  <p>1 pc.</p>   |  |
| <p>1.5 - Seat</p>  <p>1 pc.</p>                     | <p>1.6 - Lintel</p>  <p>4 pcs.</p>            | <p>1.7 - Long Nog</p>  <p>1 pc.</p>          | <p>1.8 - Short Nog</p>  <p>1 pc.</p>          |  |
| <p>1.9 - Back</p>  <p>1 pc.</p>                     | <p>1.10.1 - Left bracket</p>  <p>1 pc.</p>    | <p>1.10.2 - Right bracket</p>  <p>1 pc.</p>   | <p>1.11 - Tabletop</p>  <p>2 connected pcs</p> | <p>2.1 - Flat head screw</p>  <p>38 pcs + 2 spare</p> |
| <p>2.2 - Screw (3,5x30)</p>  <p>6 pcs + 2 spare</p> | <p>2.3 - Shim</p>  <p>2 pcs. + 1 spare</p>    | <p>2.4 - 4mm hex key</p>  <p>1 pc.</p>        | <p>2.5 - Screwdriver</p>  <p>1 pc.</p>         | <p>2.6 - Fixator</p>  <p>2 pcs.</p>                   |



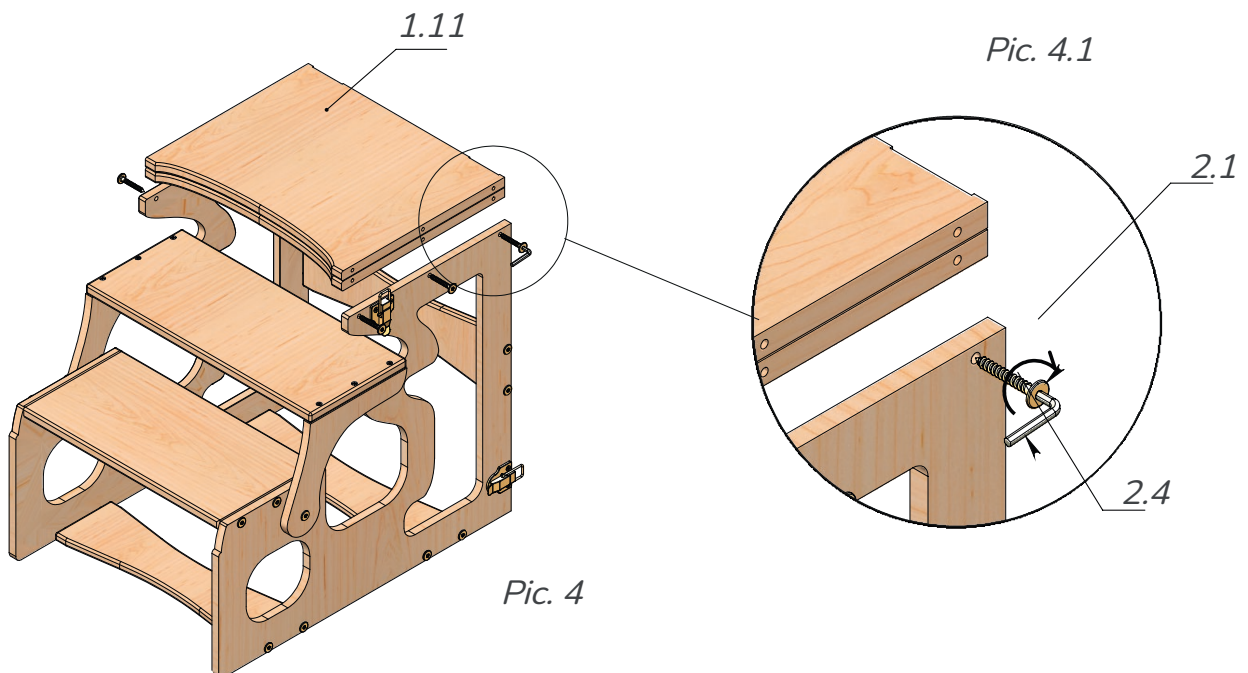
1. Take Lower sidewalls (1.1 and 1.2) (locks to outer), Seat (1.5), and a Lintel (1.6) 3 pcs.
2. Fasten the parts with (2.1) screws as shown in picture 1 (Pic.1.1) using the hex key (2.4).
3. Locks must be outside!



1. Take the long nog (1.7), left and right brackets (1.10.1, 1.10.2), and a shim (2.3).
2. Insert the long nog (1.7) into a special hole (Pic.2). The part should protrude from both sides of the assembled structure. (Pic.2.1, Pic.2.2 and Pic.2.3).
3. Set the long nog (1.7) and left and right brackets (1.10.1, 1.10.2) in position as shown in Pic. 2.
4. On both sides, the shim (2.3) is put on the long nog (1.7). (Pic.2.3).
5. Screw the brackets (1.10.1, 1.10.2) to the long nog (1.7) using screws (2.1) and hex key (2.4).

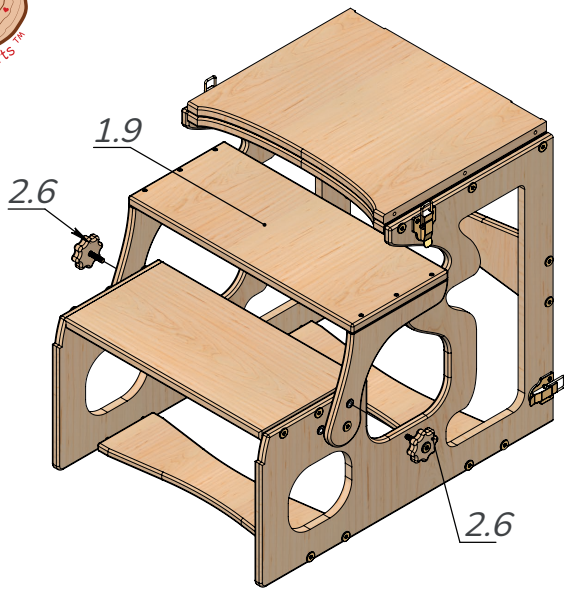


1. Take the tabletop (1.9), and screws (2.2).
2. Screw the back (1.9) to the brackets (1.10.1 and 1.10.2) using screws (2.2) and screwdriver (2.5). See the Pic 3.1.

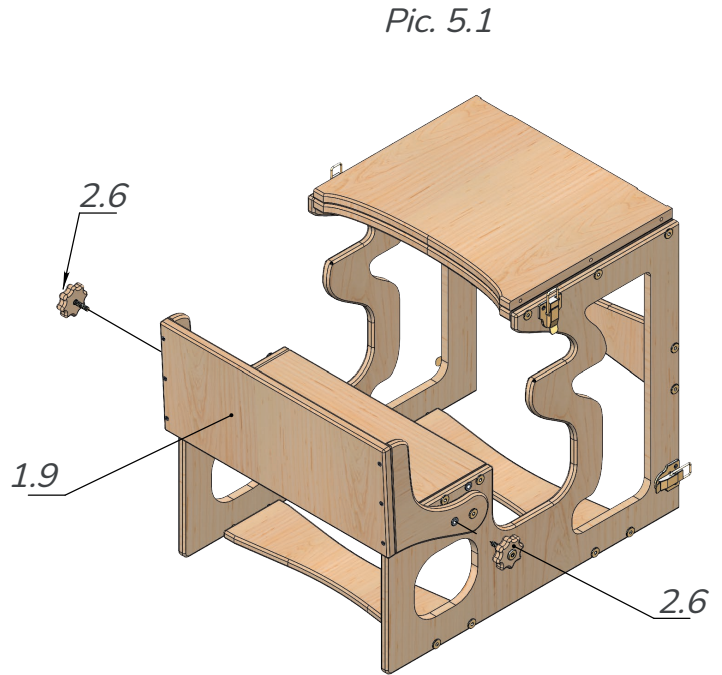


1. Take tabletop (1.11)
2. Fold the tabletop (1.11) and screw it to the assembled structure (Pic.4 and Pic.4.1).



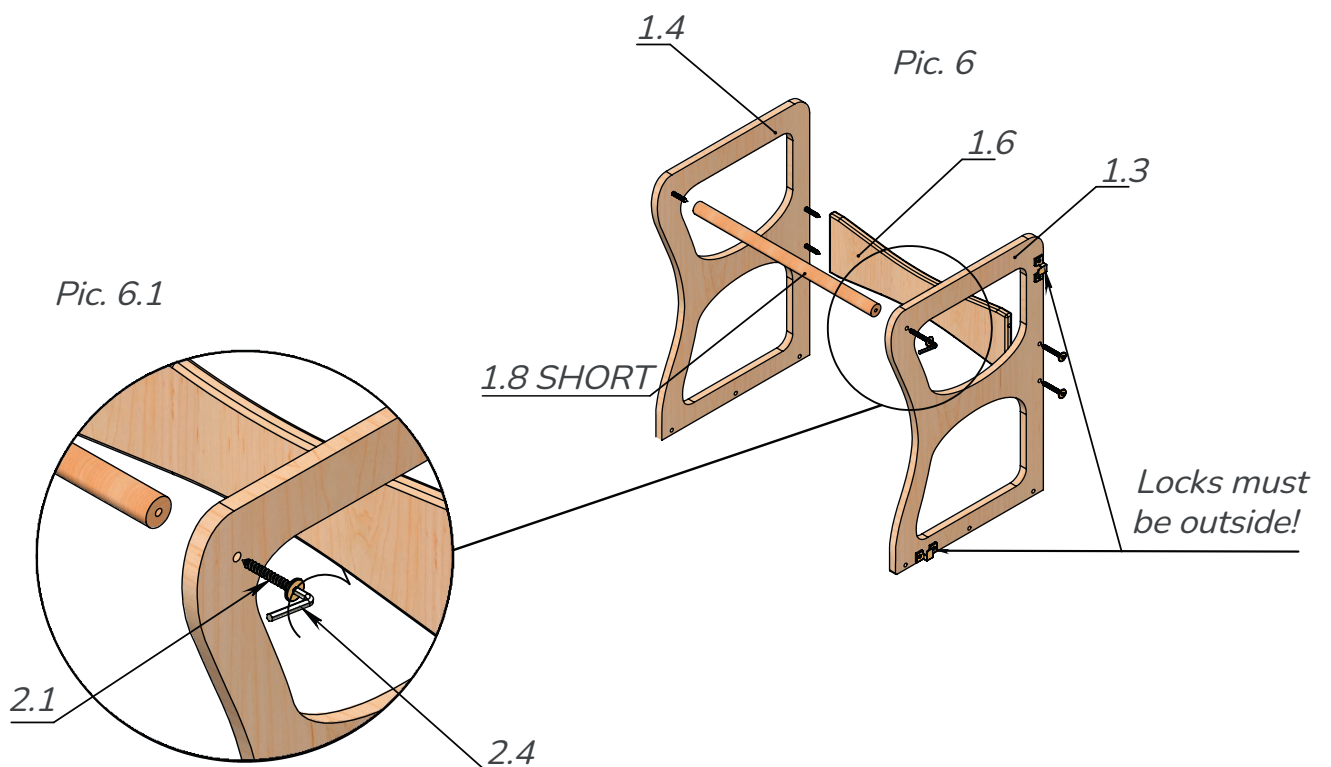


Pic. 5

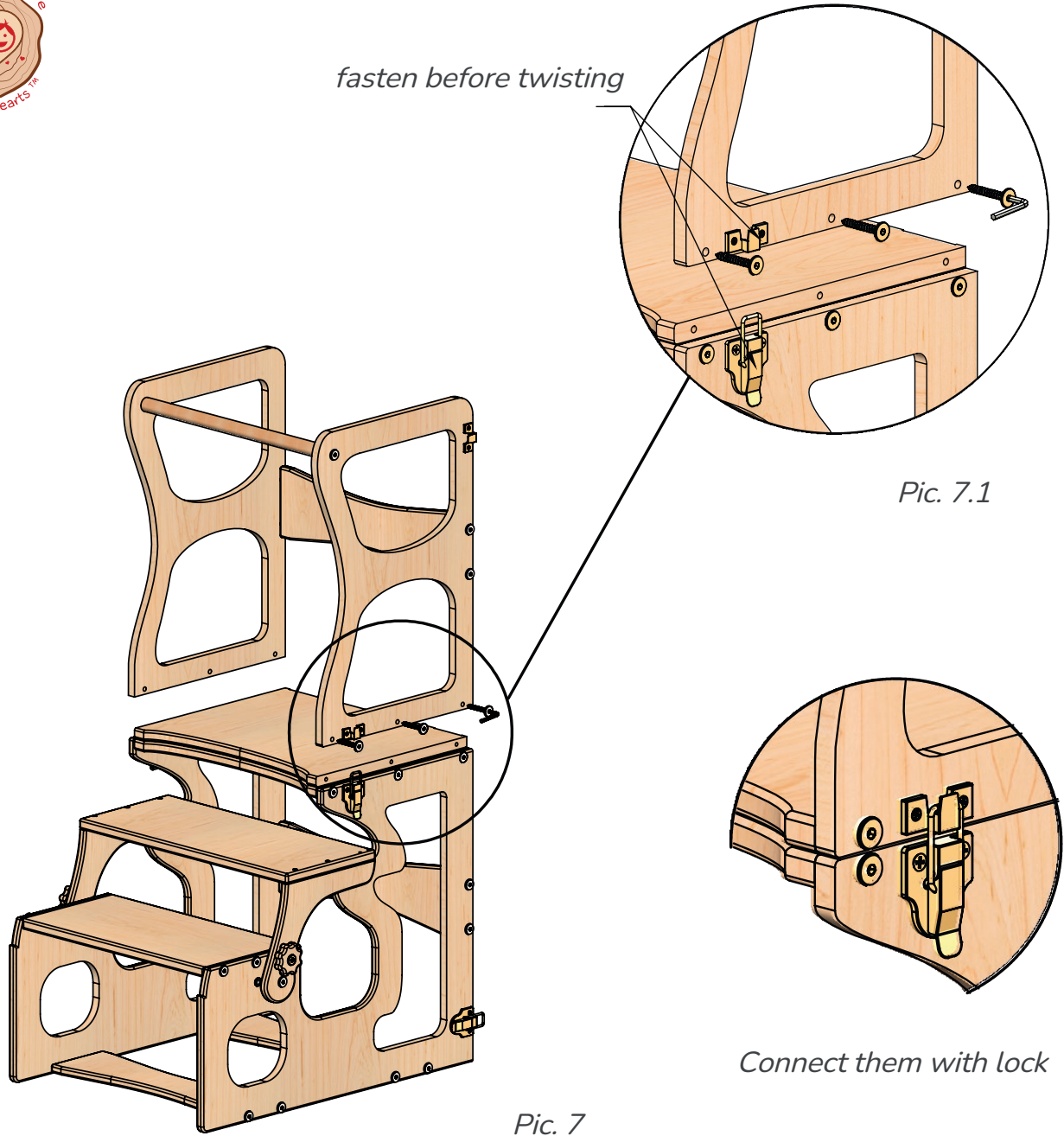


Pic. 5.1

Take the fixator (2.6) and fix the back (1.9) with it in the required position. See Pic.5 and Pic.5.1.



1. Take Top sidewalls (1.3; 1.4), Lintel (1.6), Short nog (1.8).
2. Fasten the parts with (2.1) screws as shown in picture 1 (Pic.6 and 6.1) using the hex key (2.4).
3. Install a nog with a thread between parts (1.3) and (1.4) and tighten the lock (2.7).
4. Locks must be outside!



1. Put two assembled elements as shown in the Pic.7, and connect them with lock.
2. Fasten the parts with screws (2.1) as shown in Pic. 7.1 using the hex key (2.4).



The products is meant for indoor use only.  
To be used for its intended purpose only and under the direct supervision of an adult!  
All the responsibility for children's injuries received during games on the furniture lies on adults watching after them.

Always be vigilant during children's games!