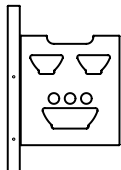
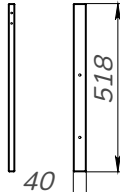

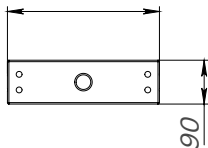
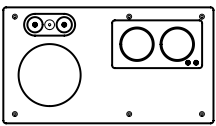
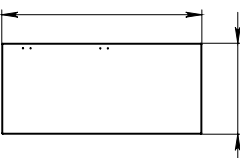
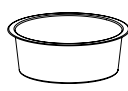
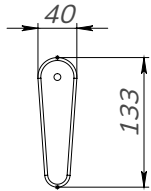
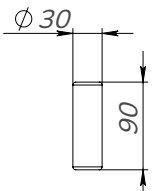


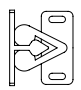





Kitchen "Light"

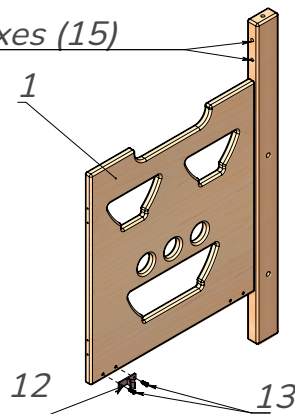


ASSEMBLY DETAILS

<p>1 - Stand with the door</p>  <p>1 pc.</p>	<p>2 - Stand for minifixes</p>  <p>3 pcs.</p>	<p>3 - Common stand</p>  <p>2 pcs.</p>	<p>4 - Upper panel</p>  <p>1 pc.</p>	<p>5 - Tabletop</p>  <p>1 pc.</p>
<p>6 - Shelf</p>  <p>2 pcs.</p>	<p>7 - Sink</p>  <p>1 pc.</p>	<p>8 - Upper faucet part</p>  <p>1 pc.</p>	<p>9 - Faucet base</p>  <p>1 pc.</p>	<p>10 - Screw 6.3x40</p>  <p>20 pcs.</p>
<p>11 - 4mm hex key</p>  <p>1 pc.</p>	<p>12 - Plastic lock</p>  <p>1 pc.</p>	<p>13 - Self-tapping screw 2.5x12</p>  <p>4 pcs.</p>	<p>14 - Screwdriver</p>  <p>1 pc.</p>	<p>15 - Set of minifixes*</p>  <p>8 pcs.</p>

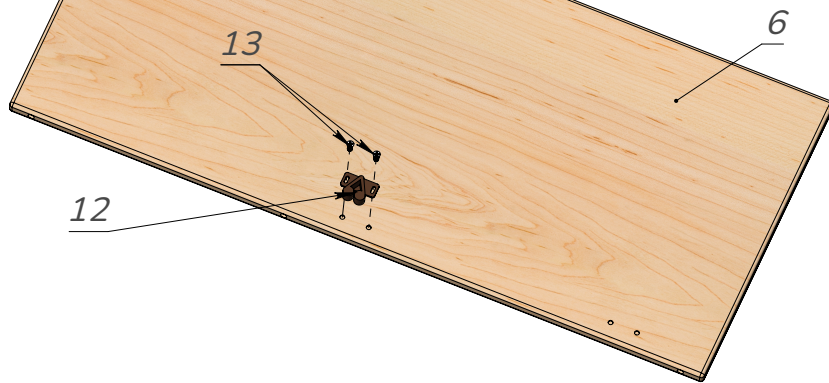
*eccentric ties are already installed into the details

Insert the dowels from minifixes (15)



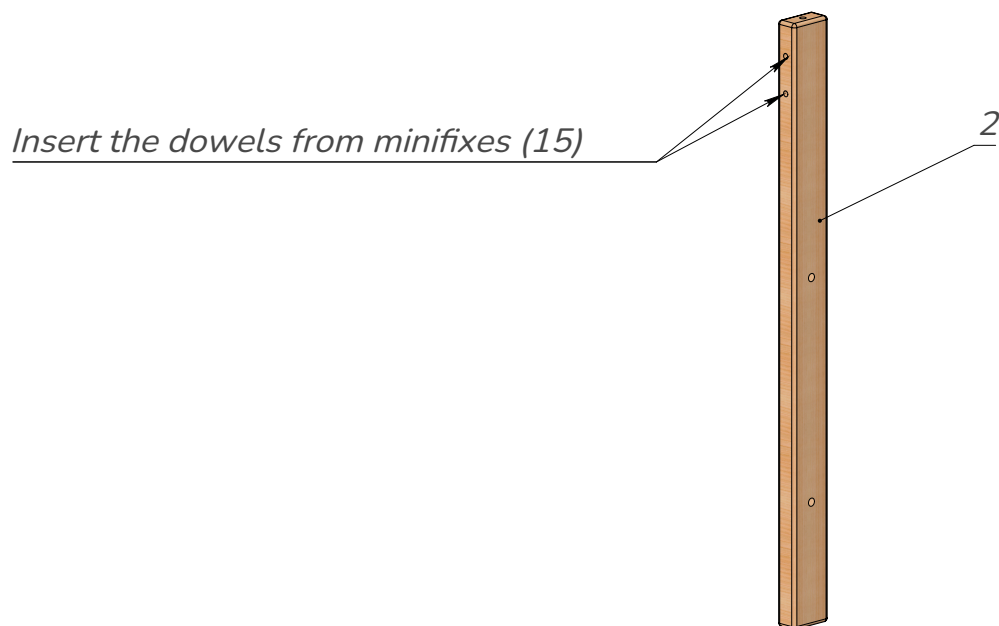
Pic. 1

Take the stand with the door (1) and using the screwdriver (14) and self-tapping screws (13), attach the lock (12). Also install the dowels from minifixes (15) using the screwdriver (14). See Pic.1.



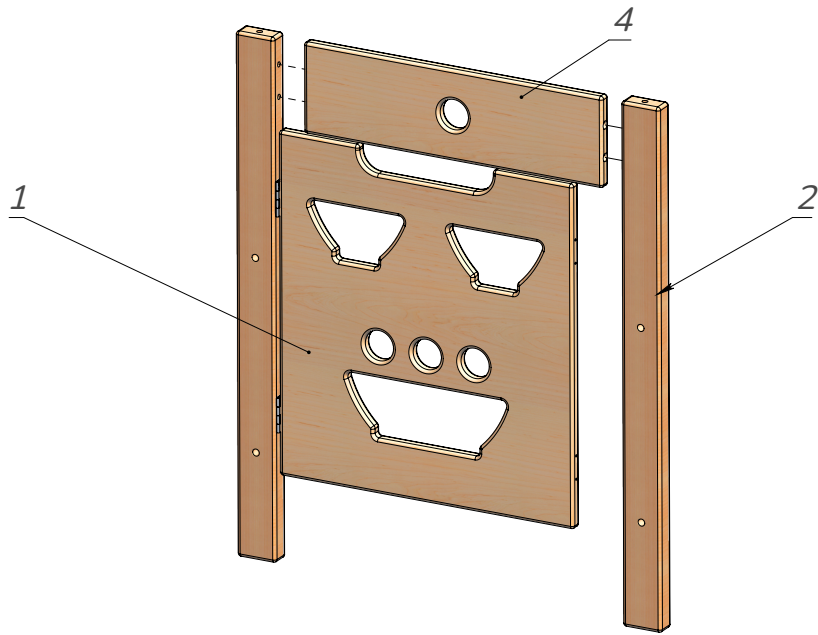
Pic. 2

Take one of the shelves (6) and using the screwdriver (14) and self-tapping screws (13) attach the lock (12). See Pic.2.



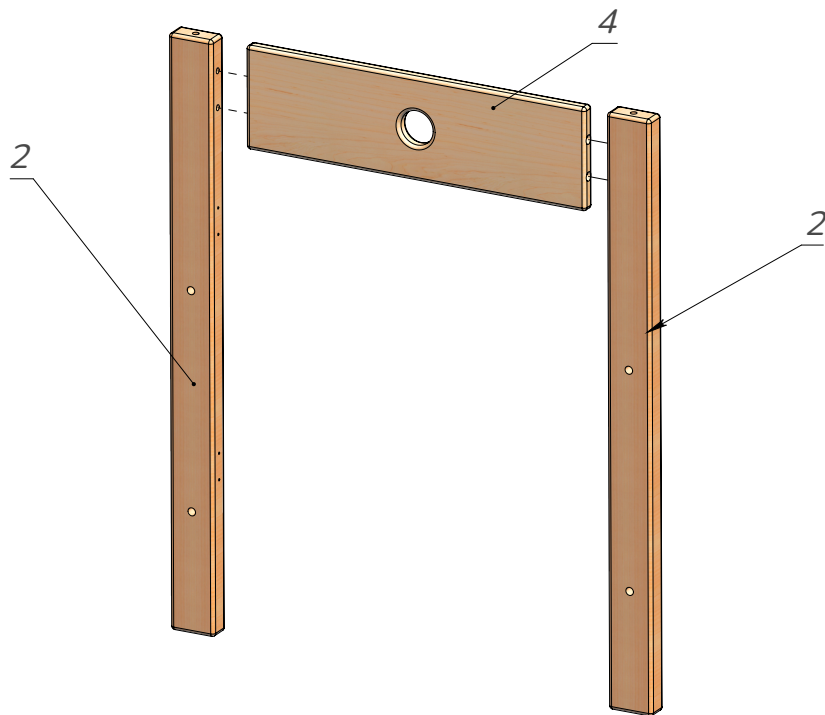
Pic. 3

Take the stands for minifixes (2) and using the screwdriver (14) install the dowels from minifixes (15). See Pic.3.



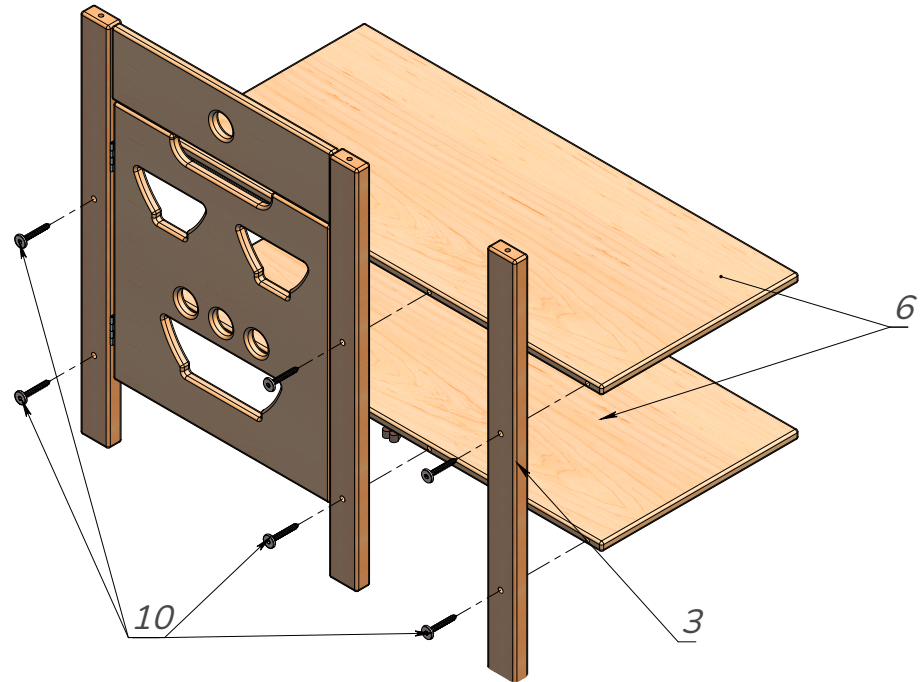
Pic. 4

Take the stand with the door (1) and attach the upper panel (4) and stand for minifixes (2). Close the eccentric ties (15) located on the upper panel (4) using the screwdriver (14) clockwise. See Pic.4.



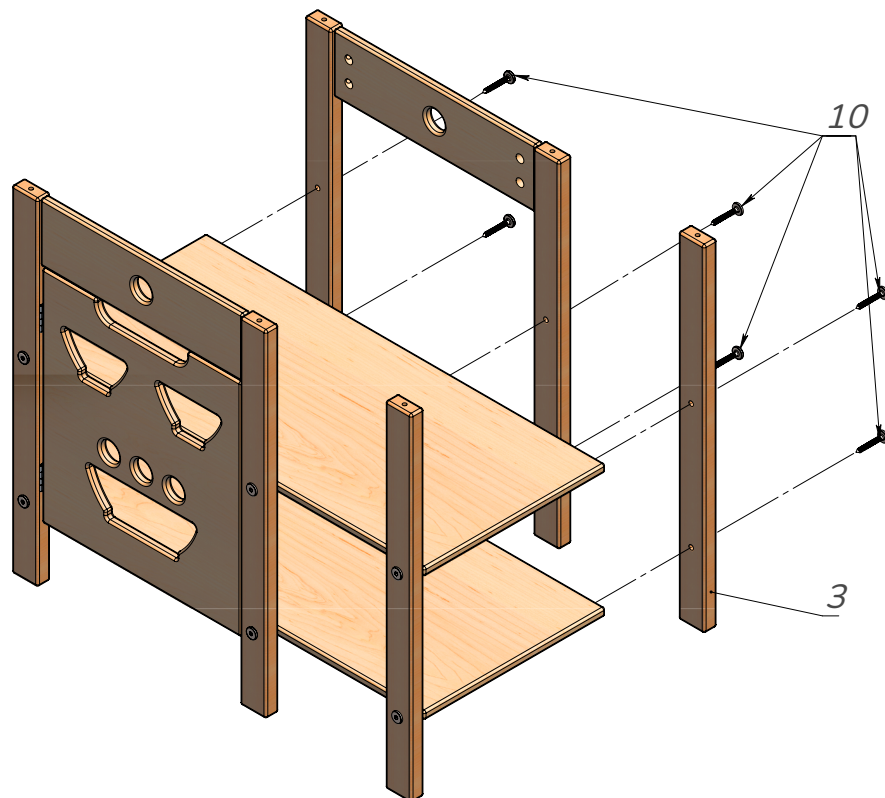
Pic. 5

Attach to other stands for minifixes (2) with upper panel (4). See Pic.5.



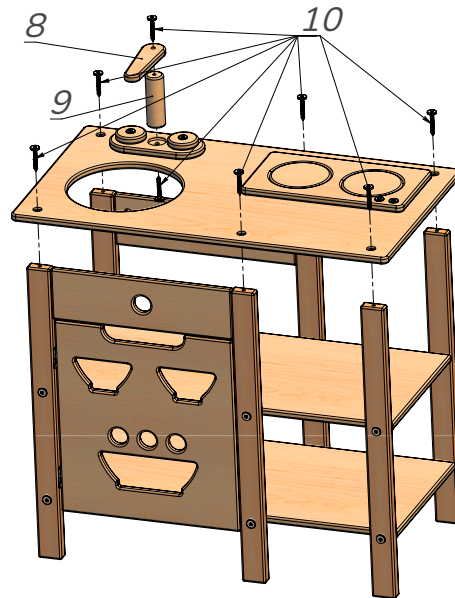
Pic. 6

Take the shelves (6) and using the screws (10) and hex key (11), attach the common stand (3) and the received structure of stands and upper panel (1,2,4). See Pic.6.



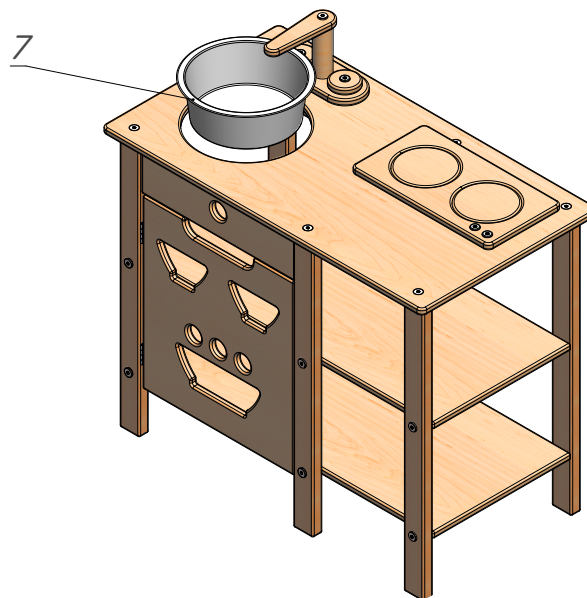
Pic. 7

Attach the common stand (3) and previously assembled construction of stands and upper panel (2,4) to the construction assembled in previous step using the screws (10) and hex key (11). See Pic.7.



Pic. 8

Attach the tabletop (5) to the received structure using the screws (10) and hex key (11). Then join the faucet parts (8,9) together with the screws and attach the assembled faucet to the tabletop (5). See Pic.8.



Pic. 9

Install the sink (7) onto the ready kitchen construction. See Pic.9.



To be used for its intended purpose only and under the direct supervision of an adult!
All the responsibility for children's injuries received during games on the furniture lies on adults watching after them.

Always be vigilant during children's games!