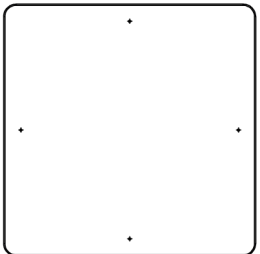
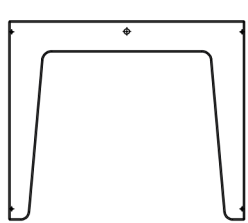
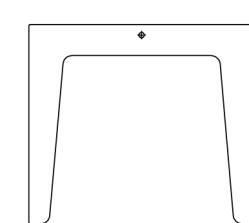
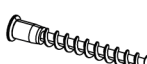
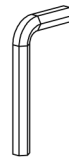

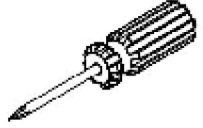
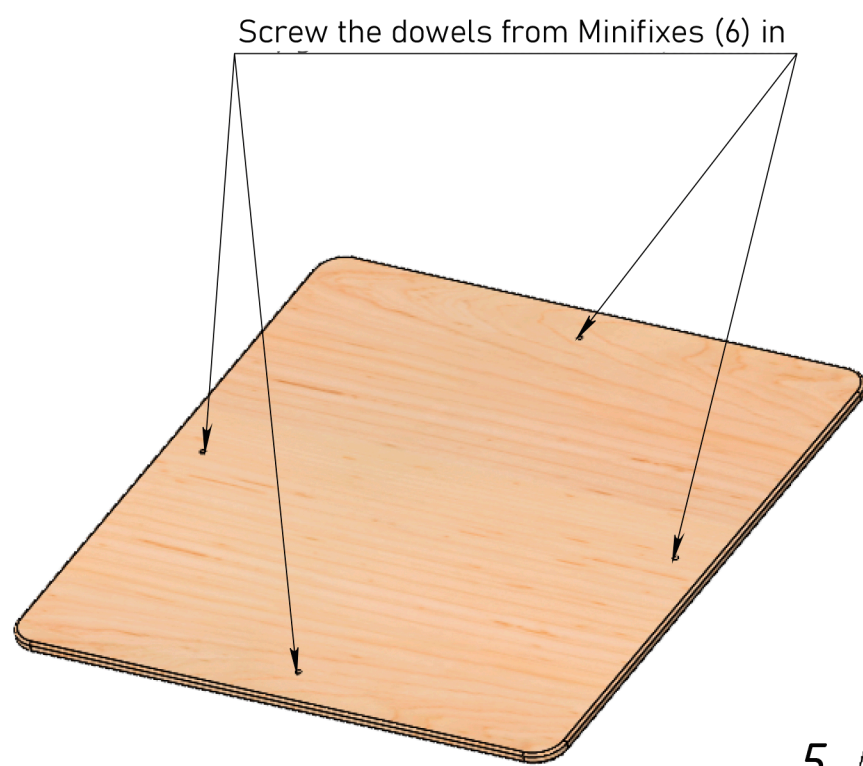


Table 'Kiddo'

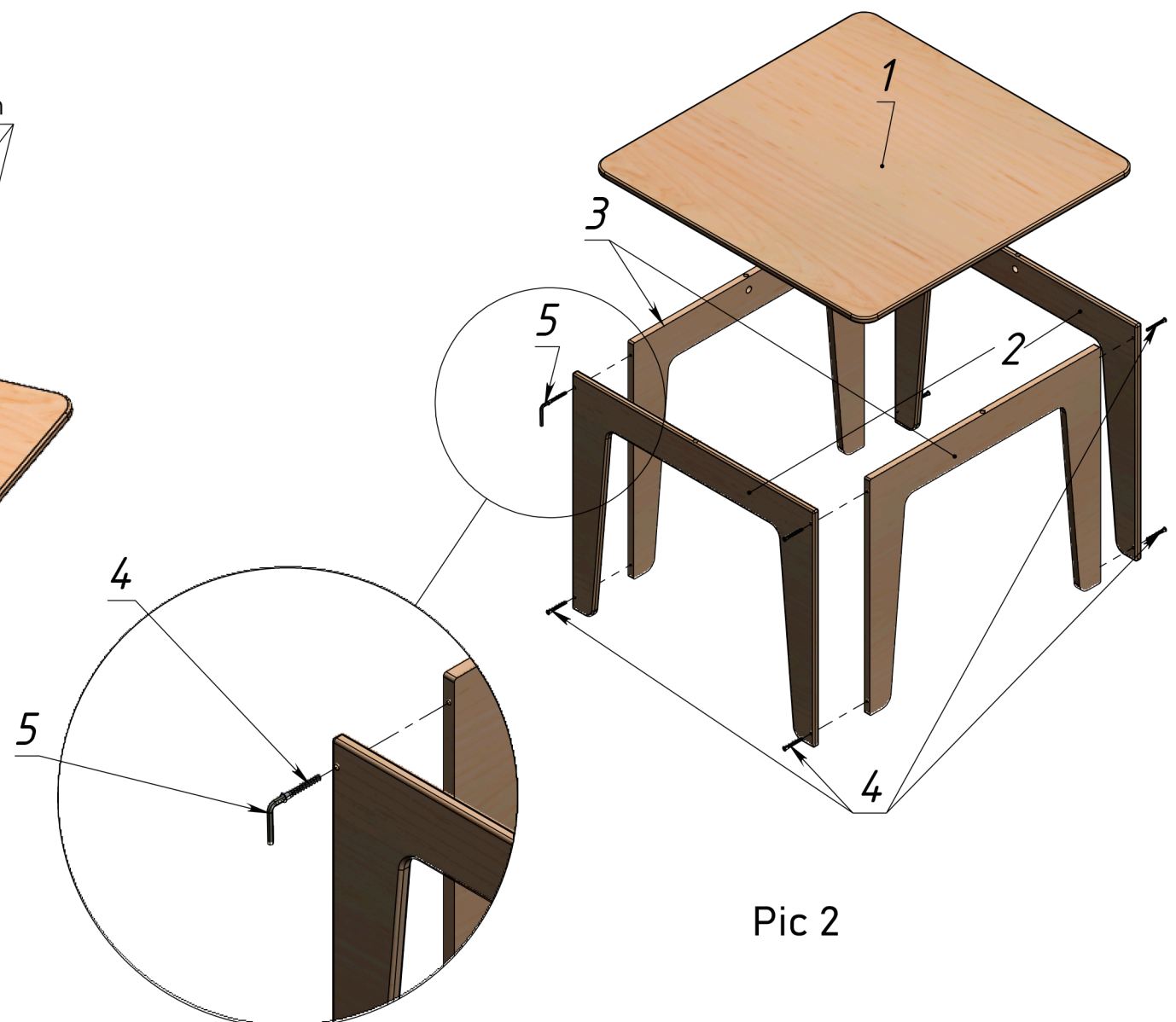


ASSEMBLY DETAILS

1 - Tabletop  1 pc.	2 - Legs #1  2 pc.	3 - Legs #2  2 pc.	4 - Confirmat screws 5x40  8 pcs.	5 - 3 mm Hex key  1 pc.	6 - Set of minifixes  4 pcs.	7 - Screwdriver  1 pc.
--	--	--	--	---	--	--



Pic 1



Pic 2

Take the Tabletop (1) and screw the dowels from Minifixes (6) in using the Screwdriver (7). See Pic. 1.

Then locate the Legs (2,3) and fix them using the Confirmat screws (4) using the Hex key (5). Then put the Tabletop (1) with dowels from minifixes on the assembled Legs (2,3) and tighten the eccentrics (6) on the Legs clockwise. See Pic. 2

**To be used under the direct supervision of an adult only.
Always be vigilant during children's game**