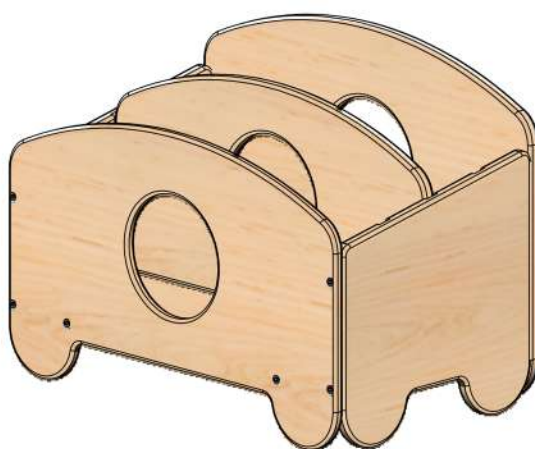
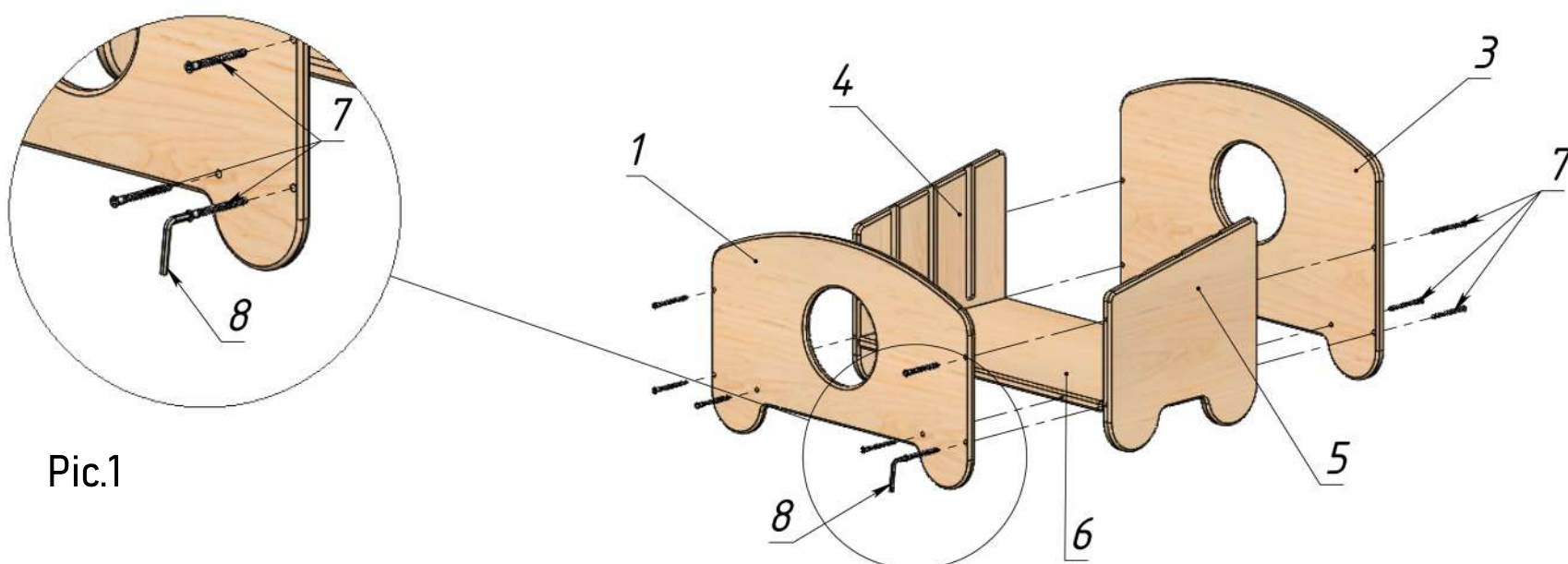


Bookshelf «Josie»



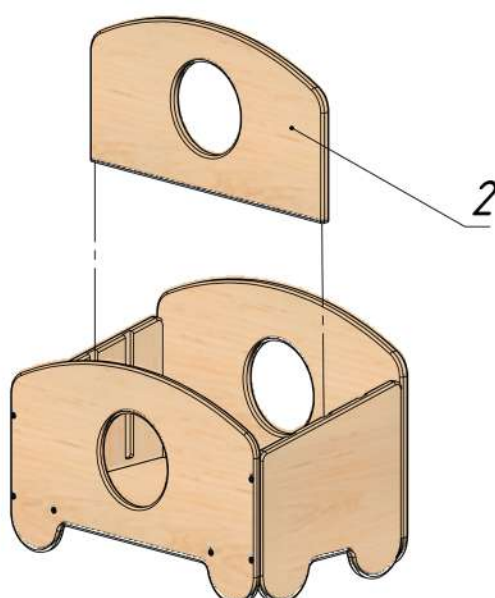
ASSEMBLY DETAILS

| | | | |
|--------------------------------|-------------------------------|---|---------------------------------|
| 1 - Front panel 1 pc. | 2 - Middle panel 1 pc. | 3 - Back panel 1 pc. | 4 - Right sidewall 1 pc. |
| 5 - Left sidewall 1 pc. | 6 - Lower lintel 1 pc. | 7 - Confirmat screw 5x40 12 pcs. | 8 - 3 mm Hex key 1 pc. |



Pic.1

Take the Front panel (1) and using the Confirmat screws (7) and Hex key (8) connect the Right sidewall (4), Left sidewall (5), and Lower lintel (6) sequentially. Then connect the Back panel (3) using the Confirmat screws (7) in a same way, See Pic.1



Pic.2

Insert the Middle panel (2) into the grooves in Sidewalls. See Pic. 2. The position of the Middle panel may be changed.

**To be used under the direct supervision of an adults only.
Always be vigilant during children's games.**