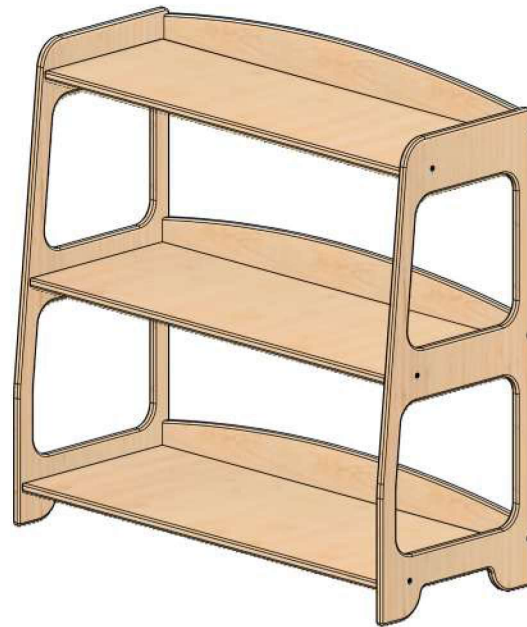
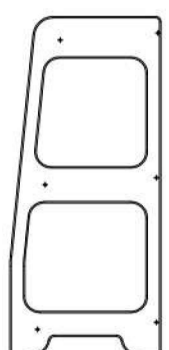
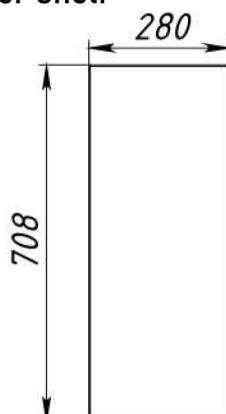
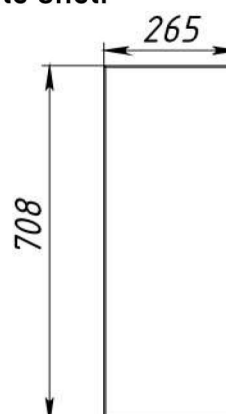
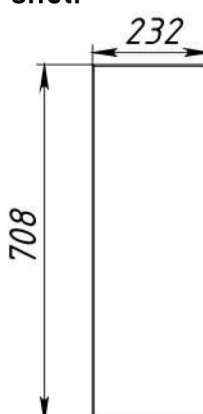



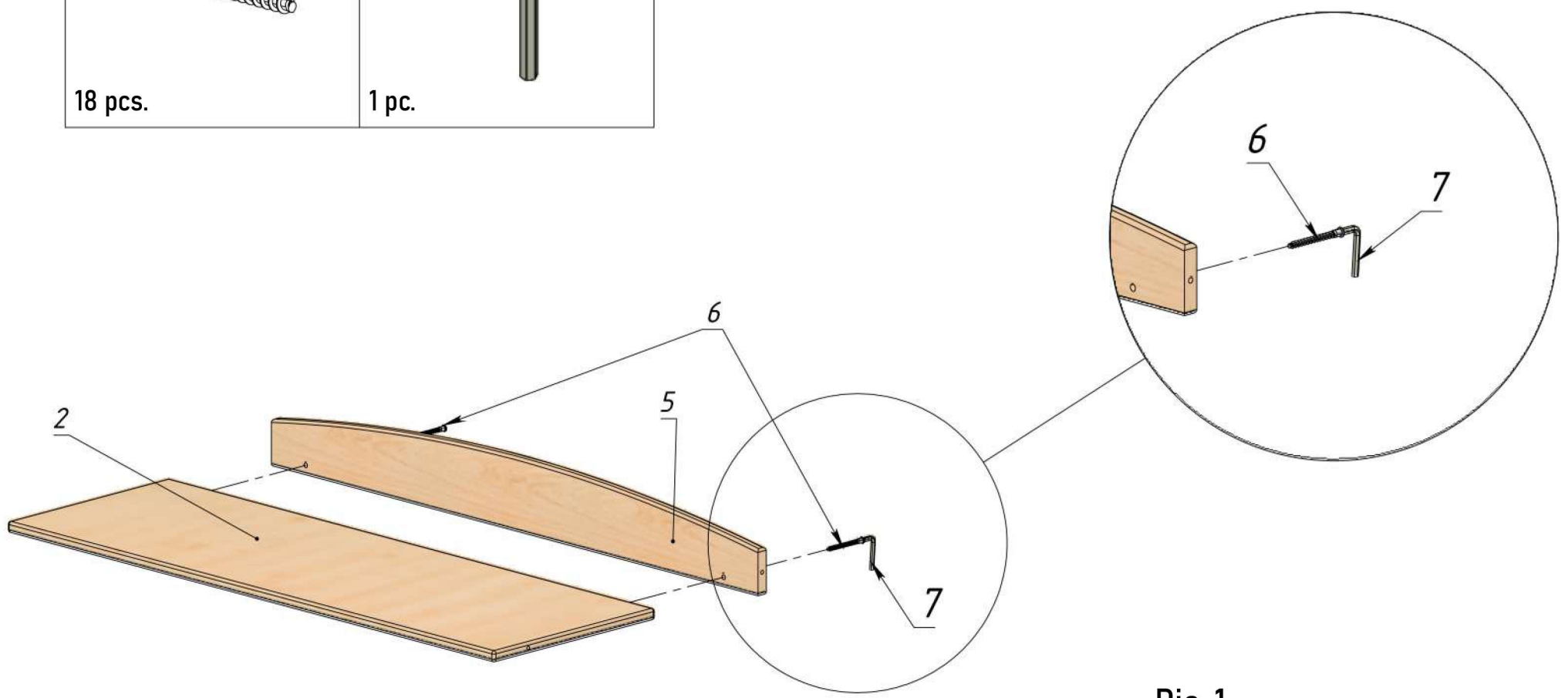


High shelf «In Order»



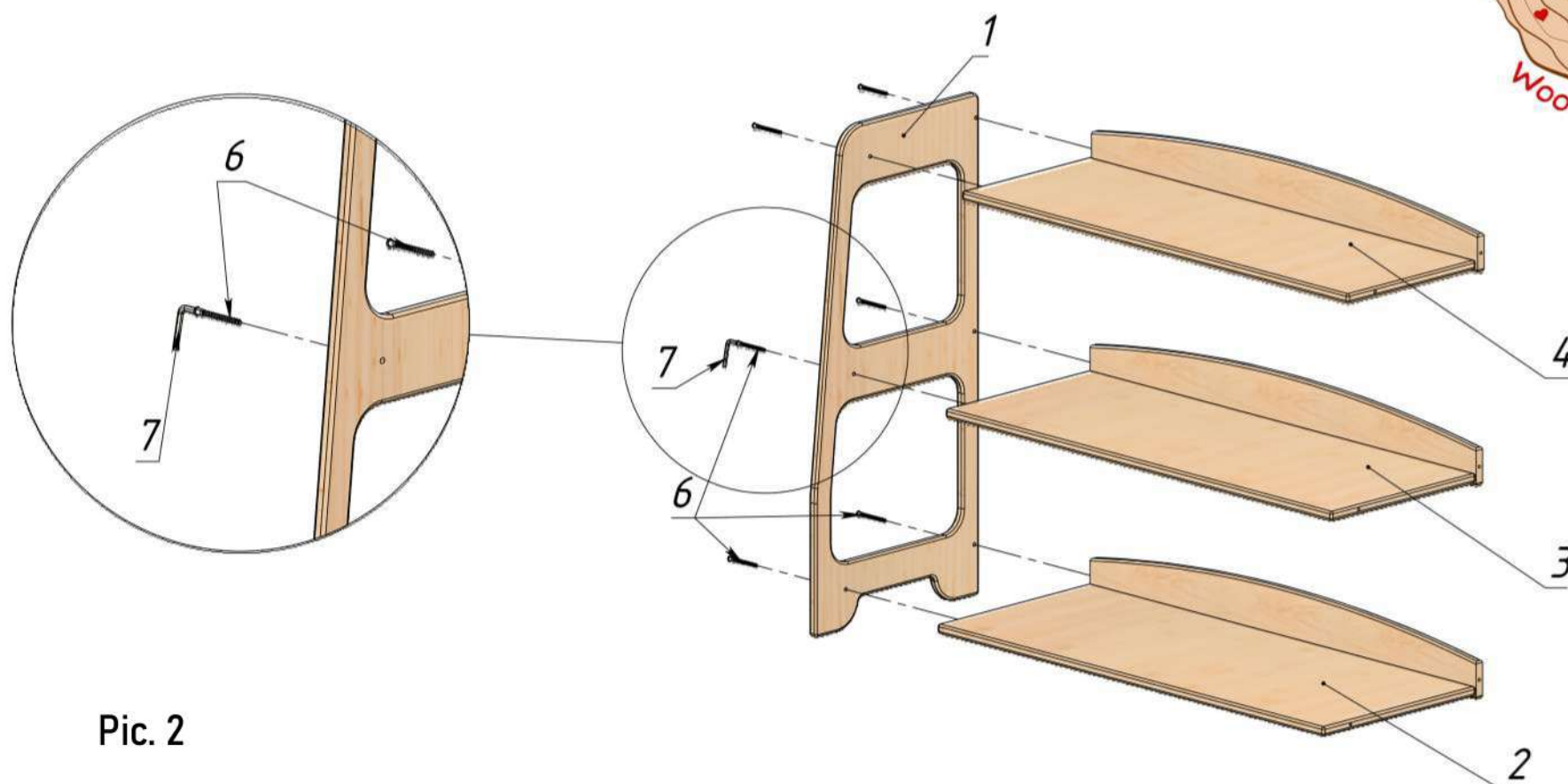
ASSEMBLY PARTS

1 - Sidewall  2 pcs.	2 - Lower shelf  1 pc.	3 - Middle shelf  1 pc.	4 - Upper shelf  1 pc.	5 - Back panel  3 pcs.
6 - Confirmat screw 5x40 mm  18 pcs.	7 - 3 mm Hex key  1 pc.			



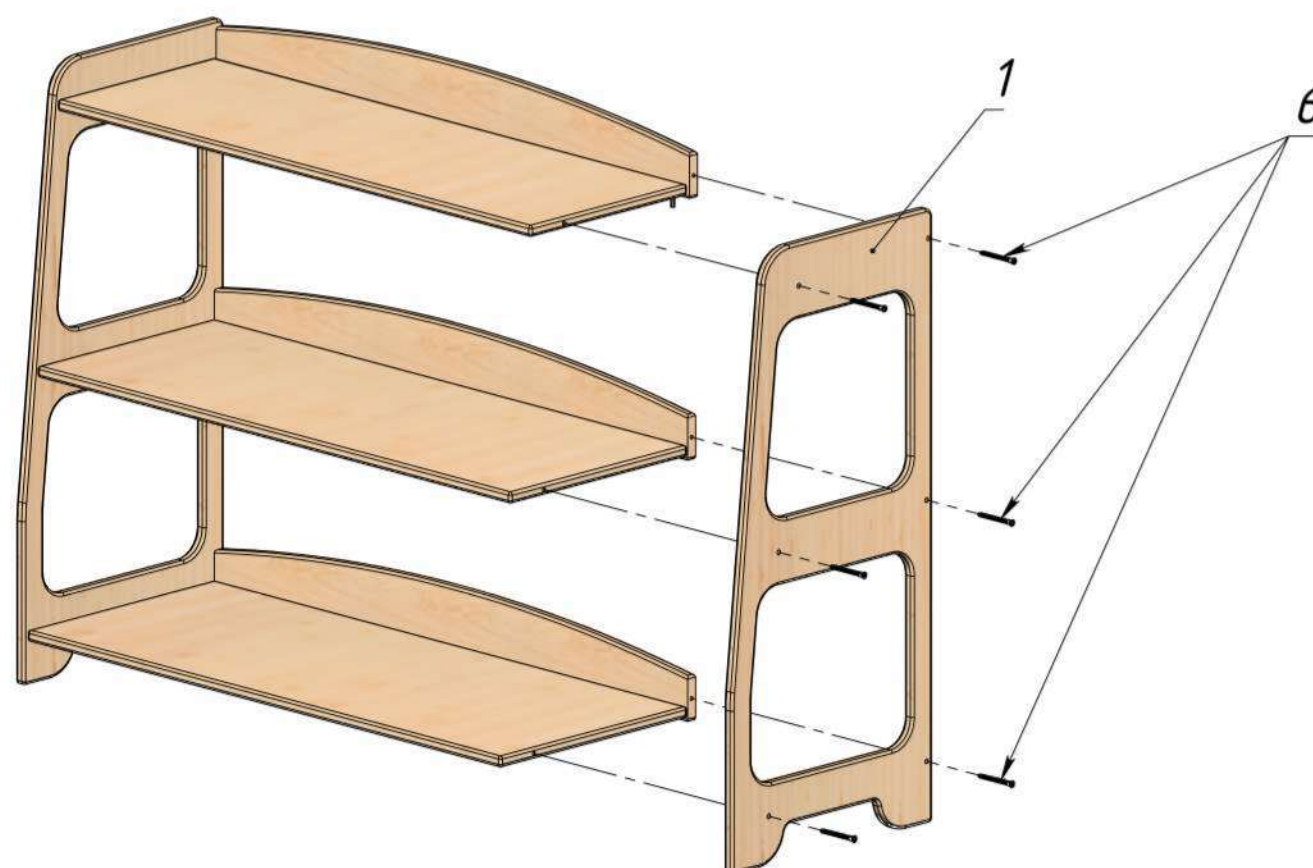
Pic. 1

Take the Lower shelf (2) and using the Confirmat screws (6) and a 3 mm hex key (7), connect it with one of the Back panels (5). In a same way, screw together the Middle and Upper shelves (3,4) with 2 other pieces of Back panel (5). See Pic. 1



Pic. 2

One of the Sidewalls (1) is to be screwed to previously assembled constructions with the help of Confirmat screws (6) and 3 mm hex key (7) as shown in the picture (see Pic. 2).



Pic. 3

Take another Sidewall (1) and connect it to the previously assembled construction using the Confirmat screws (6). See Pic. 3.

To be used under the direct supervision of an adult only.
Always be vigilant during children's games