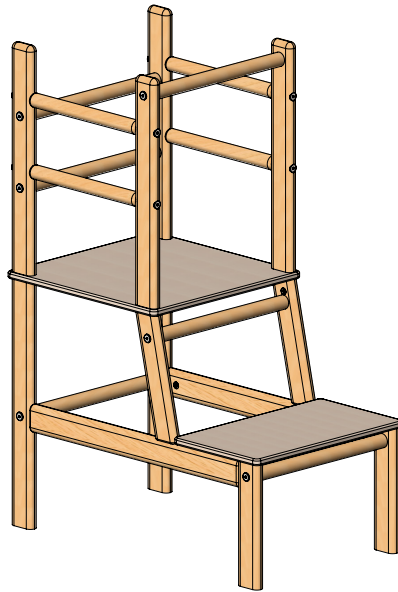
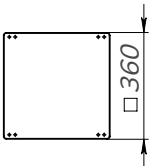
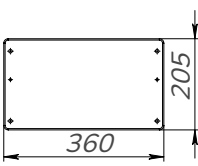

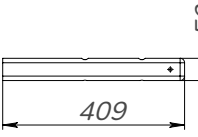
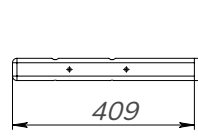
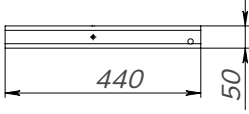
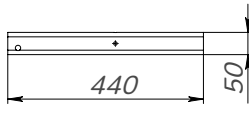
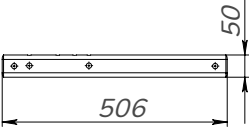
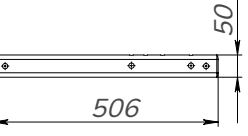
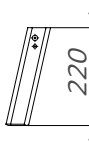
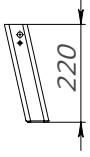
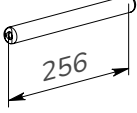
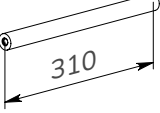
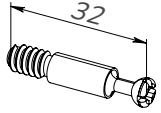
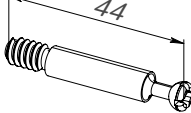
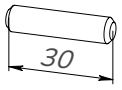

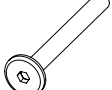
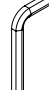



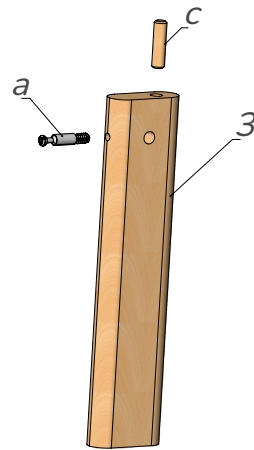
# Helper tower with protective cover



## ASSEMBLY DETAILS

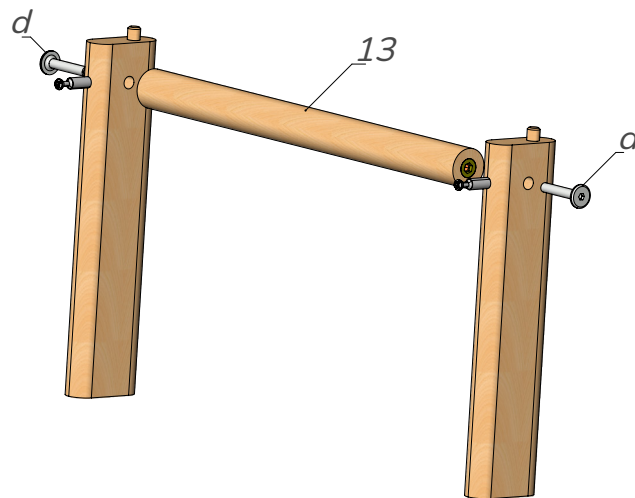
<p>1 - Upper base</p>  <p>1 pc.</p>	<p>2 - Lower base</p>  <p>1 pc.</p>	<p>3 - Front lower leg</p>  <p>2 pcs.</p>	<p>4 - Front upper leg</p>  <p>2 pcs.</p>	<p>5 - Back upper leg</p>  <p>2 pcs.</p>
<p>6 - Left back lower leg</p>  <p>1 pc.</p>	<p>7 - Right back lower leg</p>  <p>1 pc.</p>	<p>8 - Left siderail</p>  <p>1 pc.</p>	<p>9 - Right siderail</p>  <p>1 pc.</p>	<p>10 - Left plank</p>  <p>1 pc.</p>
<p>11 - Right plank</p>  <p>1 pc.</p>	<p>12 - Short nog</p>  <p>4 pcs.</p>	<p>13 - Long nog</p>  <p>6 pcs.</p>	<p>a - 32 mm Minifix dowel</p>  <p>8 pcs.</p>	<p>b - 44 mm Minifix dowel</p>  <p>4 pcs.</p>
<p>c - Wooden dowel 8x30</p>  <p>10 pcs.</p>	<p>d - Screw M6x30</p>  <p>12 pcs.</p>	<p>e - Screw M6x60</p>  <p>8 pcs.</p>	<p>f - 4 mm hex key</p>  <p>1 pc.</p>	<p>g - Screwdriver</p>  <p>1 pc.</p>

\* eccentric fasteners are pre-installed into the details



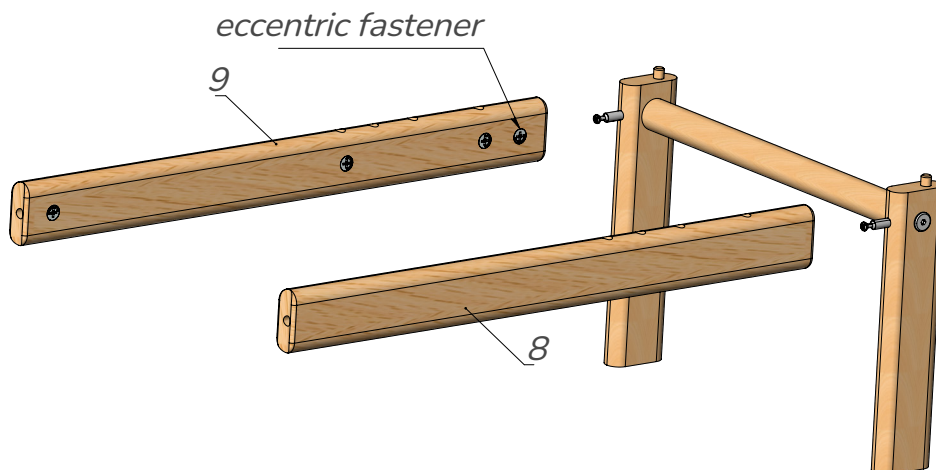
Pic. 1

Take the front lower leg (3) and using the screwdriver (g) screw the minifix dowel (a) in and install a wooden dowel (c). See Pic.1. Repeat the actions with another detail (3).



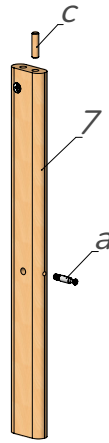
Pic. 2

Take the received details and using the screw (d) and hex key (f) attach the nog (13). See Pic. 2.



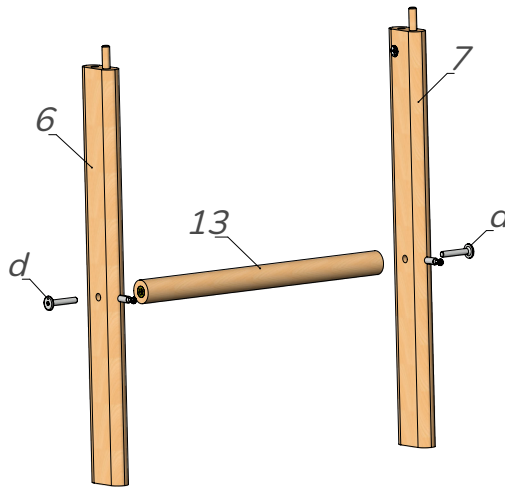
Pic. 3

Take the assembled construction and attach the left and right siderails (8, 9). Lock the eccentric fasteners located in the details 8 and 9 with the screwdriver (g) by turning it by 180 degrees clockwise. See Pic. 3.



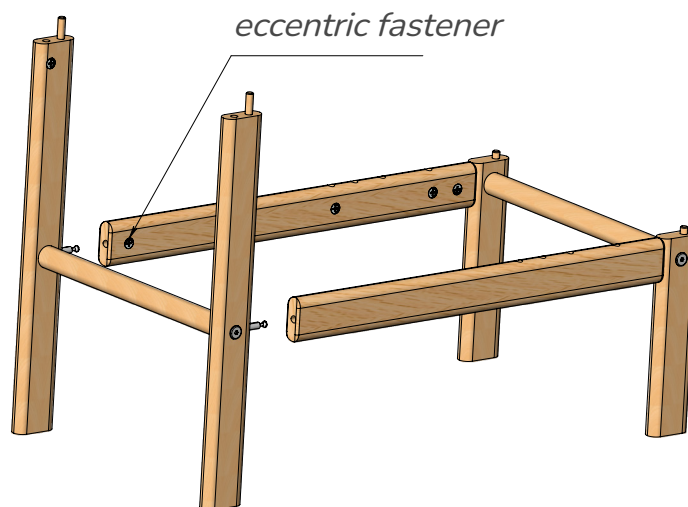
Pic. 4

Take the right back lower leg (7), screw the minifix dowel (a) in with the help of screwdriver (g) and install the wooden dowel (c). See Pic. 4. Repeat the actions with left back lower leg.



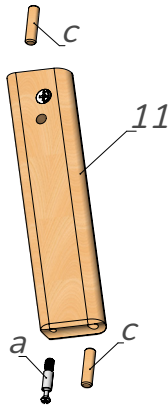
Pic. 5

Attach the nog (13) to the previously assembled constructions with the help of screw (d) and hex key (f). See Pic. 5.



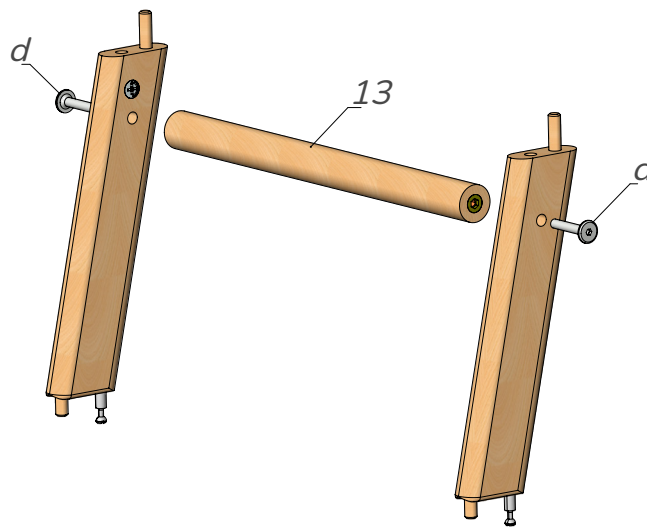
Pic. 6

Joint both constructions depicted in the Pic. 3, 5. Lock the eccentric fasteners located in the left and right siderails (8, 9) with the screwdriver (g) by turning it by 180 degrees clockwise. See Pic. 6.



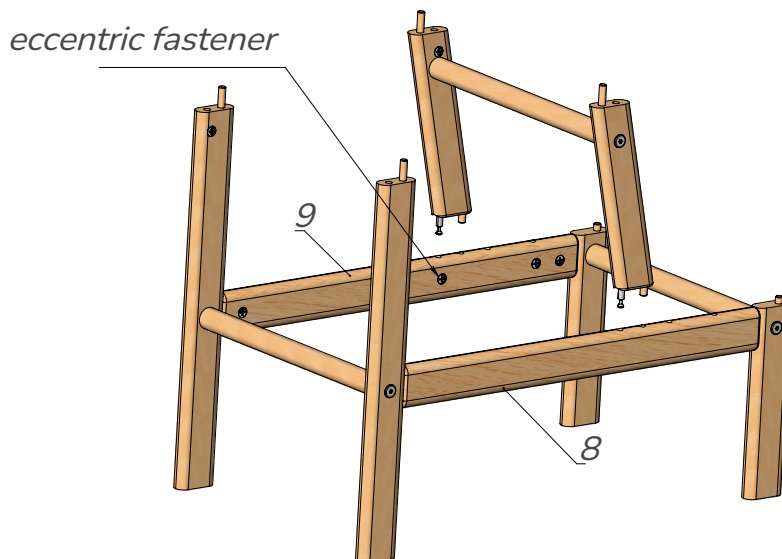
Pic. 7

Take the right plank (11). Using the screwdriver (g), install the dowel (a) into it. Then install the wooden dowel (c) into the detail, Repeat the actions with left plank (10).



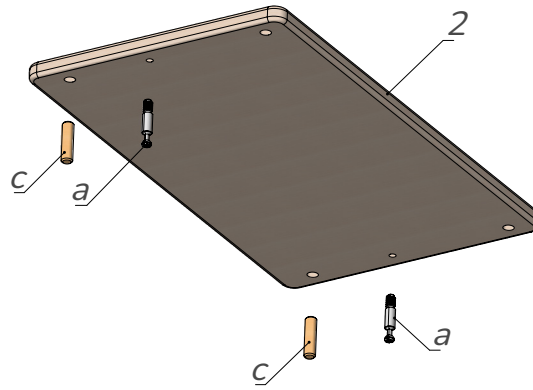
Pic. 8

Attach the nog (13) to the previously assembled constructions with the help of screw (d) and hex key (f). See Pic. 8.



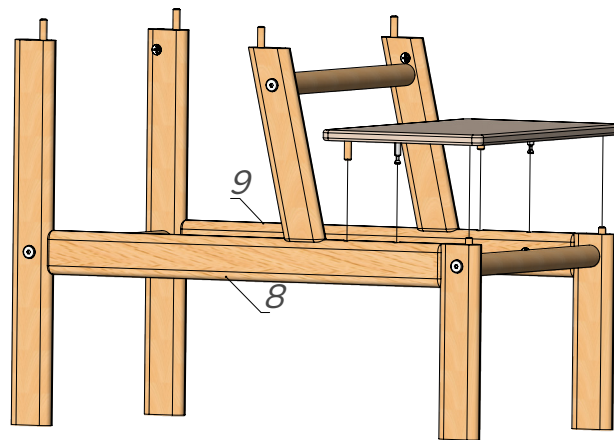
Pic. 9

Joint both constructions depicted in the Pic. 6, 8. Lock the eccentric fasteners located in the left and right siderails (8, 9) with the screwdriver (g) by turning it by 180 degrees clockwise. See Pic. 9.



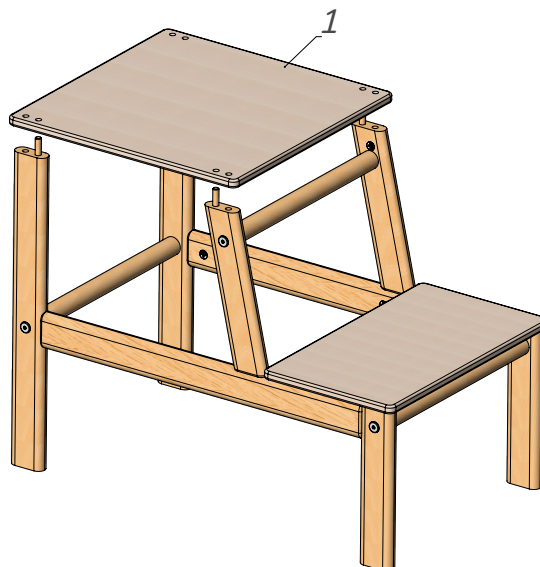
Pic. 10

Take the lower base (2) and using the screwdriver (g) screw the dowel (a) in and install the wooden dowels (c). See Pic. 10.



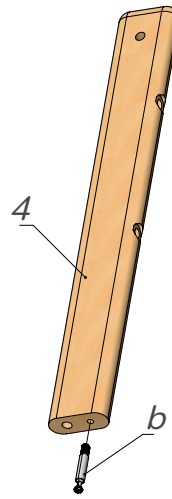
Pic. 11

Joint both constructions depicted in the Pic. 9, 10. Lock the eccentric fasteners located in the left and right siderails (8, 9) with the screwdriver (g) by turning it by 180 degrees clockwise. See Pic. 11.



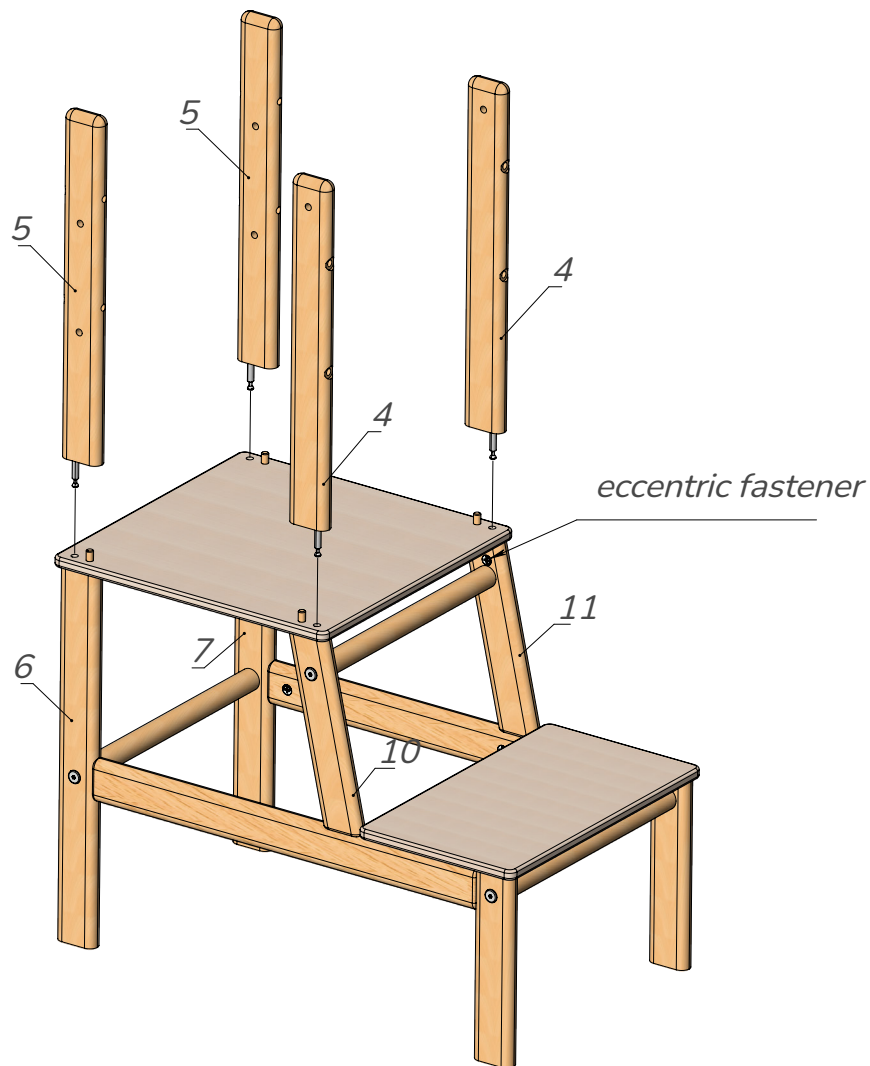
Pic. 12

Screw the upper base (1) to the received construction. See Pic.12.



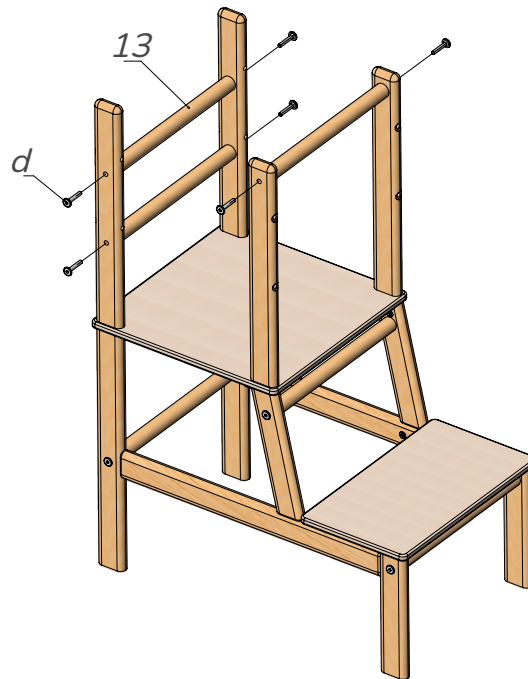
Pic. 13

Using the screwdriver (g), screw the long dowel (b) into the front upper leg.  
See Pic. 13.  
Repeat the actions with another detail 4 and both back upper legs (5).



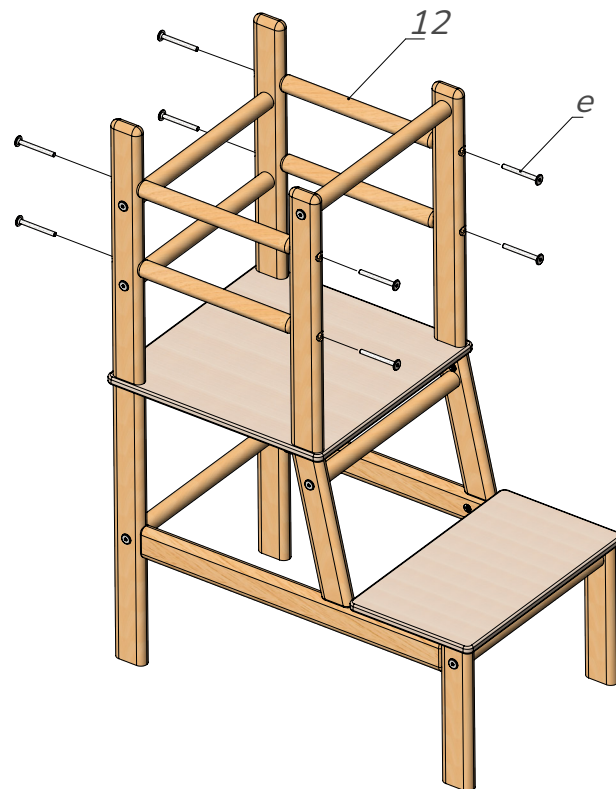
Pic. 14

Joint both constructions depicted in the Pic. 12, 13. Lock the eccentric fasteners located in the both back lower legs (6, 7) and both planks (10, 11) with the screwdriver (g) by turning it by 180 degrees clockwise.  
See Pic. 14.



Pic. 15

Attach the nogs (13) to the previously assembled construction with the screws (d) and hex key (f). See Pic. 15.



Pic. 16

Using the screws (e) and hex key (f) attach the short nogs (12) to the previously assembled construction. See Pic. 16.



The products is meant for indoor use only.  
To be used for its intended purpose only and under  
the direct supervision of an adult!  
All the responsibility for children's injuries received during  
games on the furniture lies on adults watching after them.

Always be vigilant during children's games!