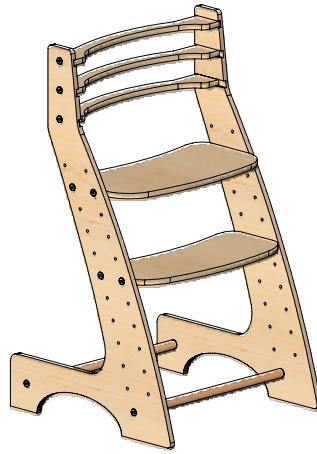
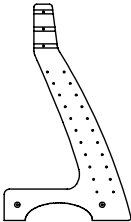
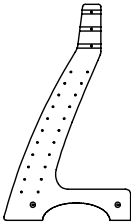
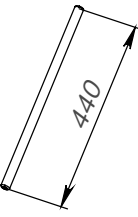



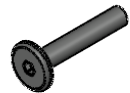

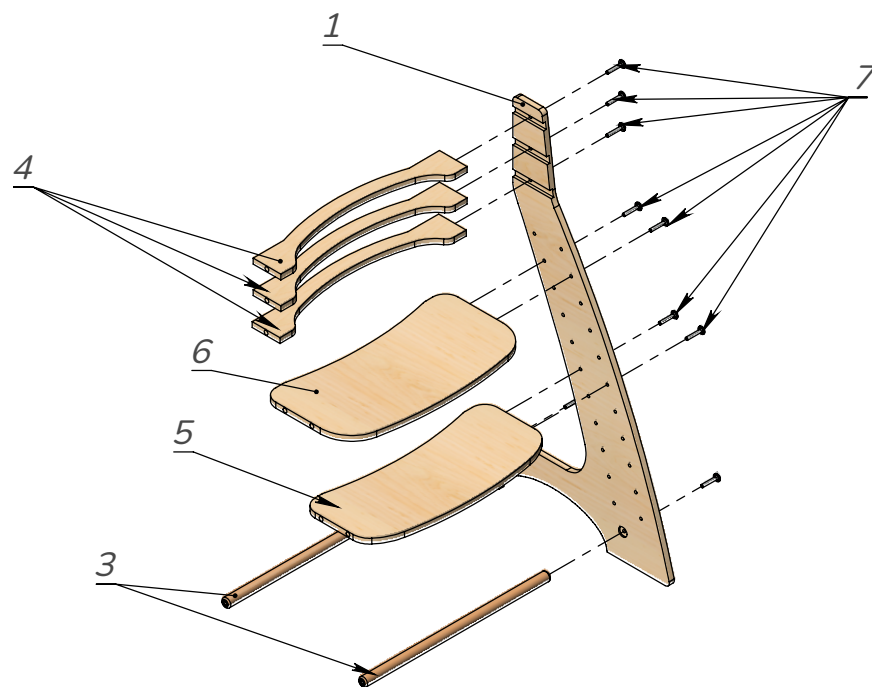


# Giraffe' chair



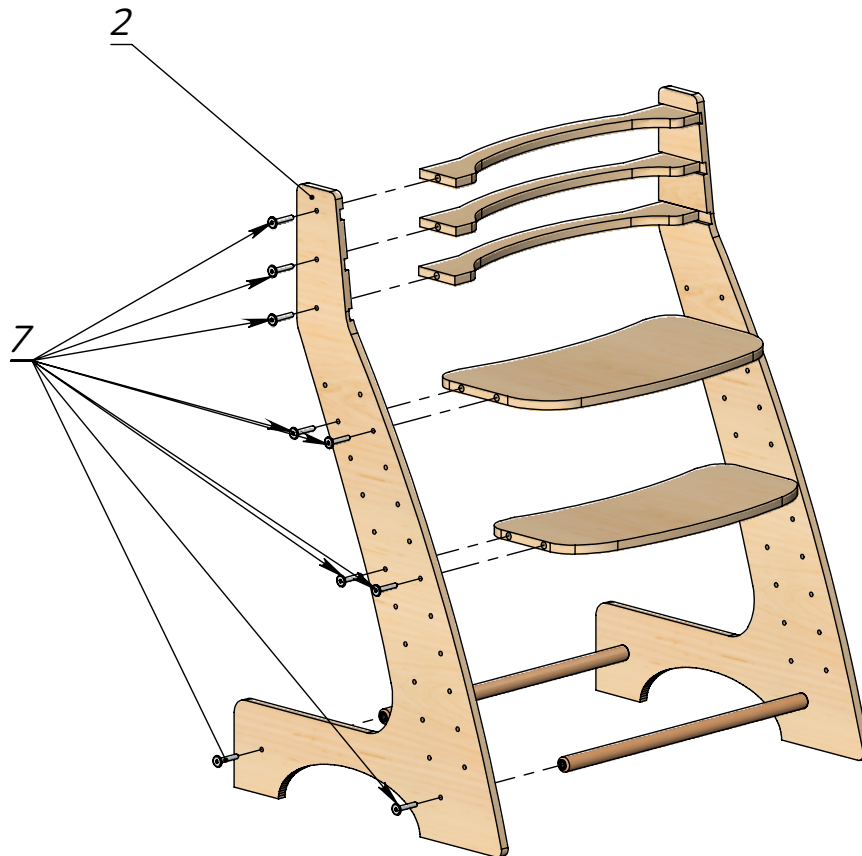
## ASSEMBLY DETAILS

<p>1 - Right sidewall</p>  <p>1 pc.</p>	<p>2 - Left sidewall</p>  <p>1 pc.</p>	<p>3 - Nog</p>  <p>2 pcs.</p>	<p>4 - Backrest plank</p>  <p>3 pcs.</p>
<p>5 - Narrow seat</p>  <p>1 pc.</p>	<p>6 - Wide seat</p>  <p>1 pc.</p>	<p>7 - M6x35 Flat head screw</p>  <p>18 pcs.</p>	<p>8 - 4 mm Hex key</p>  <p>1 pc.</p>



Pic. 1

Take the Right sidewall (1) and using the screws (7) and a Hex key (8), connect both Seats (5,6), Backrest planks (4) and Nogs (3) to it. See Pic. 1



Pic. 2

Take the screws (7) and using a Hex key (8), connect the Left sidewall (2) to the previously assembled construction



Use only for its intended purpose, indoors, under the direct supervision of adults.  
Maximum load weight - 60 kg / 132 lbs.

Responsibility for any damage incurred by children during play on the furniture rests with the supervising adults.

Always be vigilant during children's games.

Have any questions? Contact us: [support@woodandhearts.com](mailto:support@woodandhearts.com)