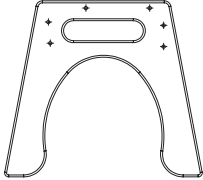


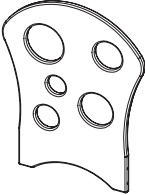

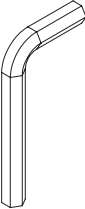
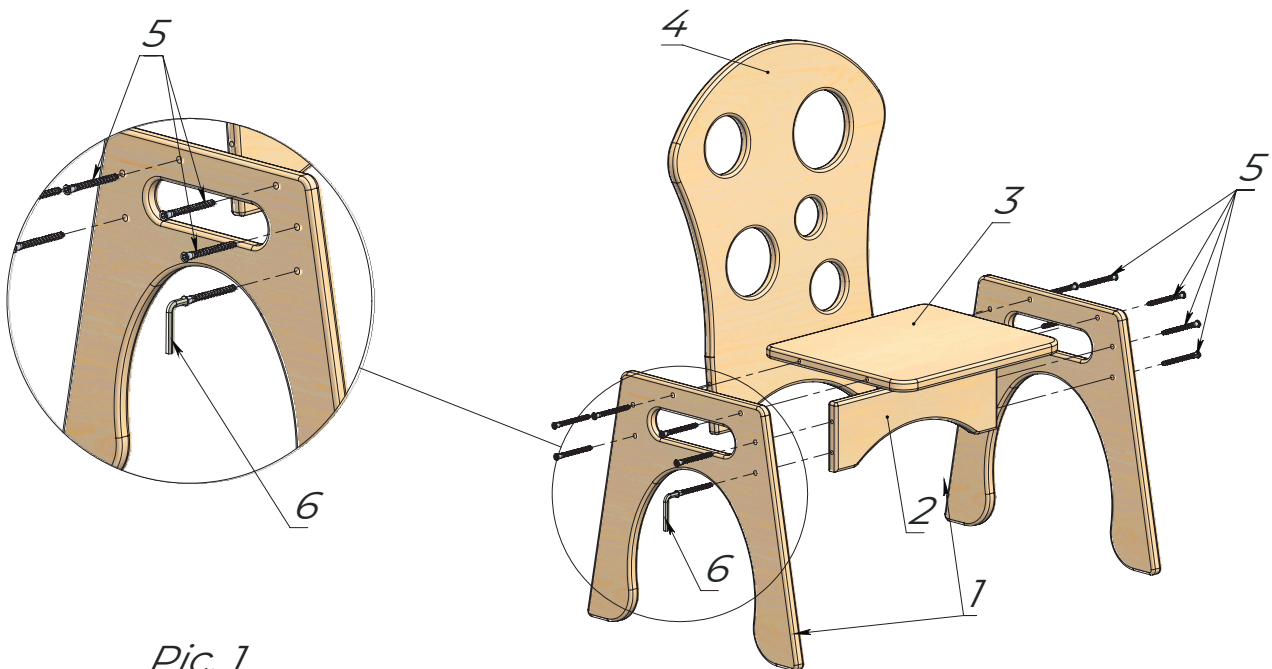


## Chair "Dixie"



### Assembly details

<i>1 - Sidewall</i>  <i>2 pcs.</i>	<i>2 - Lower plank</i>  <i>1 pc.</i>	<i>3 - Seat</i>  <i>1 pc.</i>	<i>4 - Backrest</i>  <i>1 pc.</i>	<i>5 - Confirmat screw 5x40</i>  <i>12 шт.</i>	<i>6 - 3mm Hex key</i>  <i>1 pc.</i>
---	---	--	--	---	--



*Pic. 1*

Take one of the Sidewalls (1) and attach the Lower plank (2), Seat (3) and a Backrest (4) to it using the Confirmat screws (5) and Hex key (6). Take another Sidewall (1) and attach it to the previously assembled construction. See Pic. 1

**To be used under the direct supervision of an adult only.  
Always be vigilant during children's games**

Have any questions? Contact us: [support@woodandhearts.com](mailto:support@woodandhearts.com)