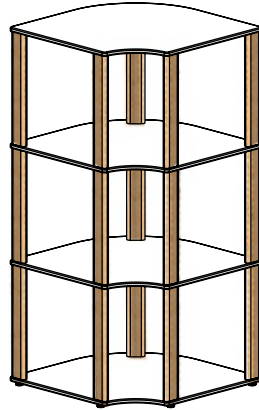
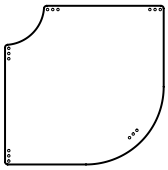
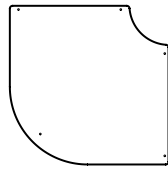
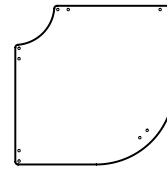
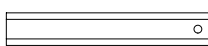
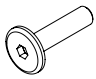
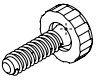
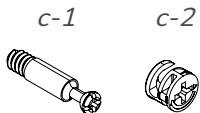
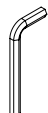

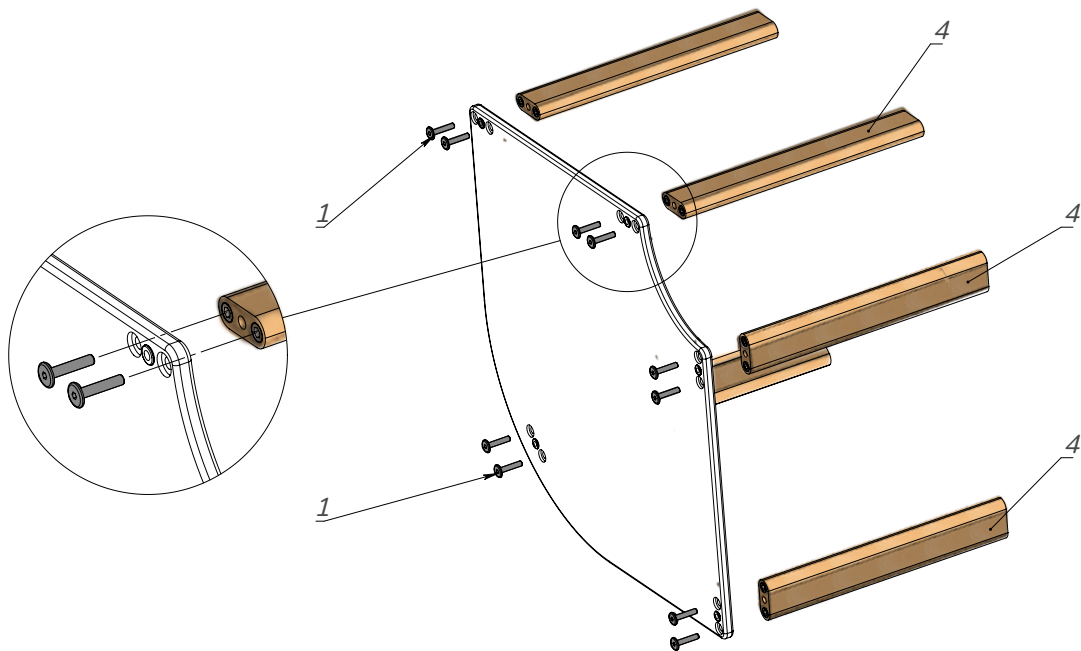


# Corner, 4 shelves



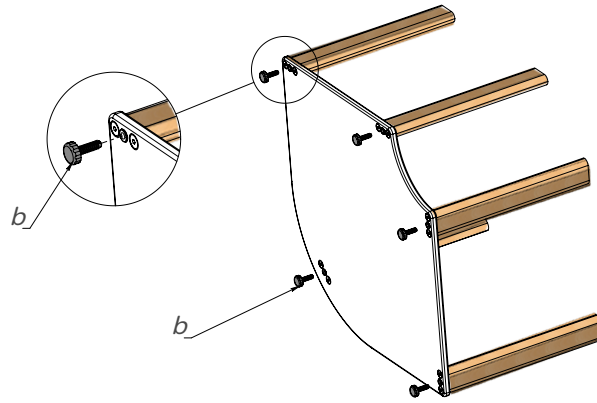
## ASSEMBLY DETAILS

<p>1 - Lower shelf</p>  <p>1 pc.</p>	<p>2 - Upper shelf</p>  <p>1 pc.</p>	<p>3 - Shelf</p>  <p>2 pcs.</p>	<p>4 - Stand</p>  <p>15 pcs.</p>	<p>a - Screw M6x30</p>  <p>30 pcs.</p>
<p>b - Furniture leg M6</p>  <p>5 pcs.</p>	<p>c - Set of Minifixes</p>  <p>15 pcs.</p>	<p>d - 4 mm hex key</p>  <p>1 pc.</p>	<p>e - Screwdriver</p>  <p>1 pcs.</p>	



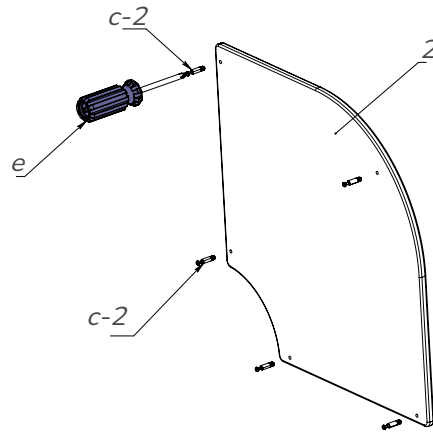
Pic. 1

Take the lower shelf (1) and attach the stands (4) to it using the screws (a) and hex key (d).



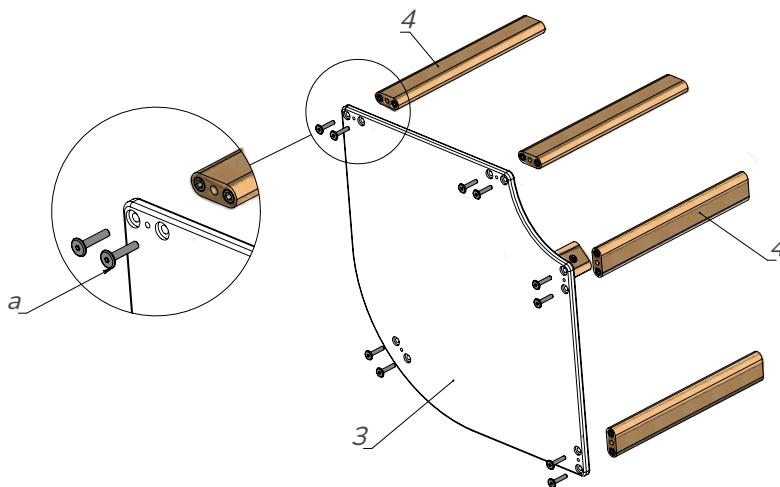
Pic. 2

Screw the furniture legs (b) into the lower shelf (1) from beneath as shown in the Pic. 2. These legs are used to adjust the construction on the uneven floor.



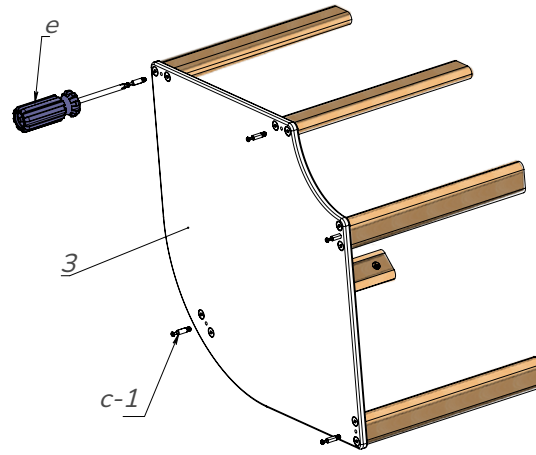
Pic. 3

Take the upper shelf (2) and screw the minifix dowels (c-1) into it with the screwdriver (e). See Pic. 3.



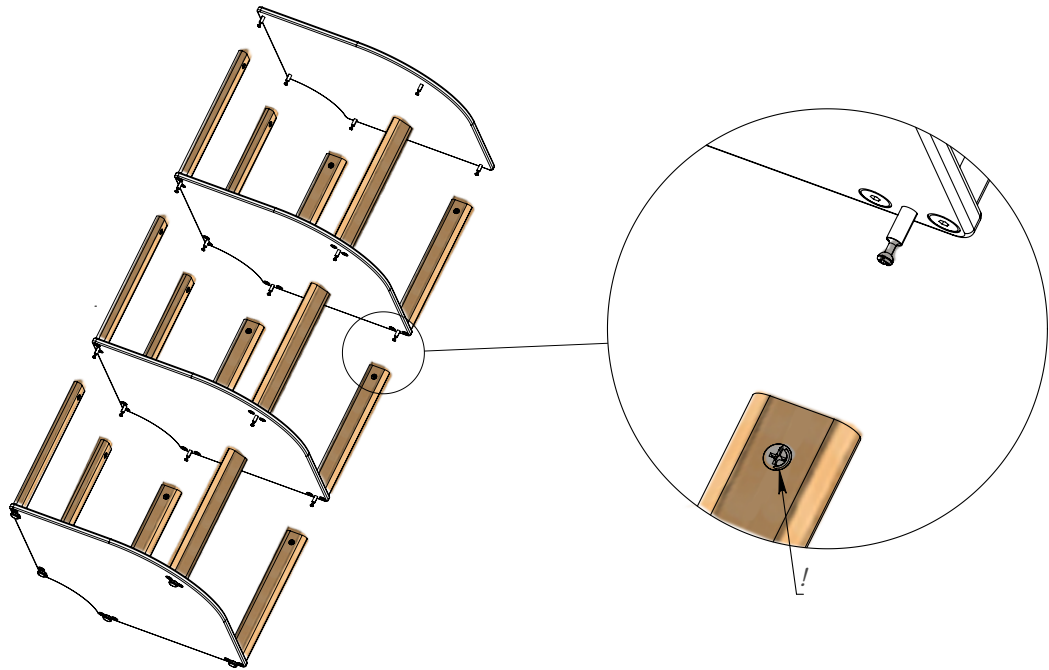
Pic. 4

Take the stands (4) and attach them to both shelves (3) with the screws (a) with hex key (d). See Pic. 4.



Pic. 5

Take the assembled constructions and insert the minifix dowels (c-1) into the shelves (3) from beneath with the screwdriver (e). See Pic. 5.



Pic. 6

Put the constructions on one another as shown in the Pic. 6. Fix the eccentric ties (c-2) located in the stands (4) by turning them by 180 degrees clockwise with the screwdriver (e).



The products is meant for indoor use only.  
To be used for its intended purpose only and under  
the direct supervision of an adult!  
All the responsibility for children's injuries received during  
games on the furniture lies on adults watching after them.

Always be vigilant during children's games!