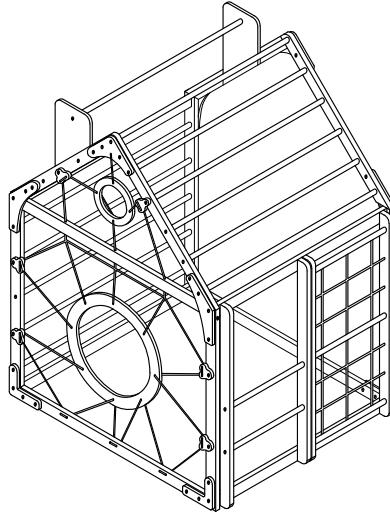




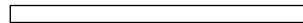
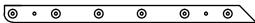
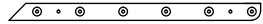
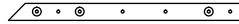
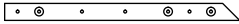



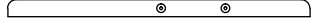
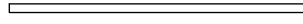
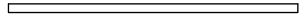
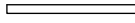

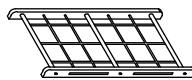





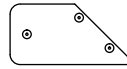
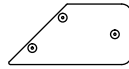
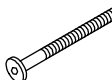





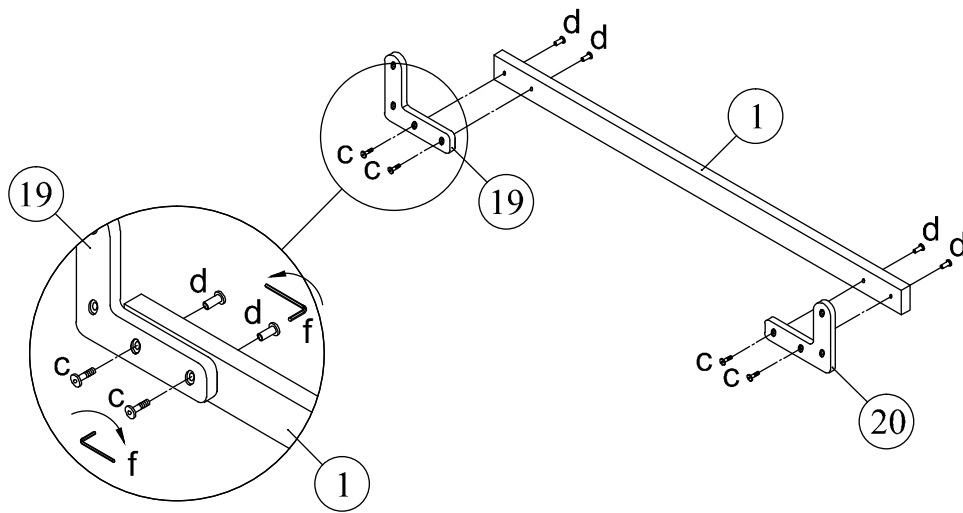


Climbing complex "Home"



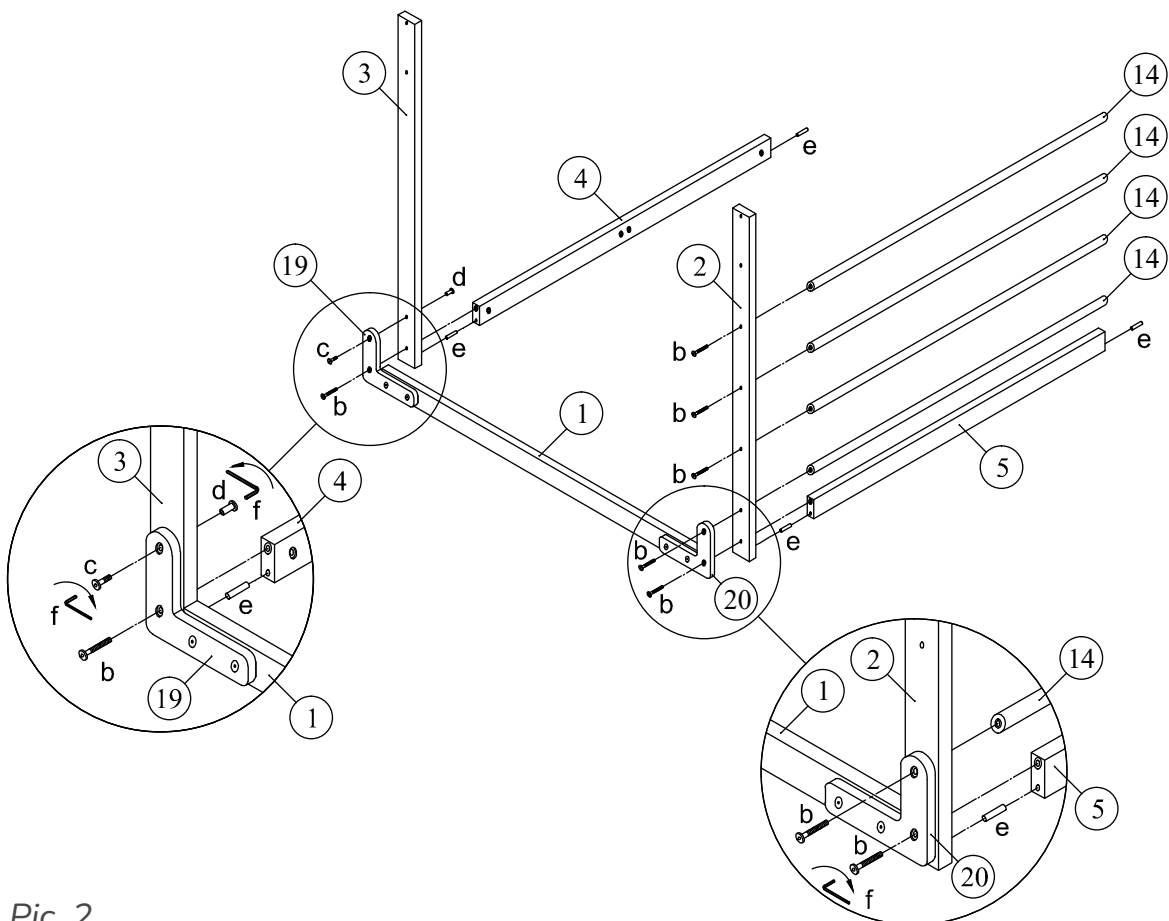
ASSEMBLY DETAILS

1 - 960*50*20 Down back base  1 pc	2 - 900*50*20 Vertical base  1 pc	3 - 900*50*20 Vertical base  1 pc	
4 - 880*50*20 Side base  1 pc	5 - 880*50*20 Side base  2 pcs	6 - 750*50*20 Up big base left  1 pc	
7 - 750*50*20 Up big base right  1 pc	8 - 700*50*20 Up small base left  1 pc	9 - 700*50*20 Up small base right  1 pc	
10 - 900*50*20 Vertical base  1 шт.	11 - 900*50*20 Vertical base  1 шт.	12 - 900*50*20 Ladder with 2 steps side left  1 pc	
13 - 900*50*20 Ladder with 2 steps side right  1 pc	14 - 886*25*25 Long nog  14 pcs	15 - 862*25*25 Nog  3 pcs	
16 - 386*25*25 Short nog  2 pcs	17 - Plywood rope ladder  1 pc	18 - Rope ladder  1 pc	19 - 154*138*12 Down connector left  2 pcs
20 - 154*138*12 Down connector right  2 pcs	21 - 264*138*12 Up connector left  2 pcs	22 - 264*138*12 Up connector right  2 pcs	23 - 220*130*12 Up connector  1 pc
24 - 366*180*12 Right chimney  1 pc	25 - 366*180*12 Left chimney  1 pc	a - Flat head 60 mm screw  3 pcs - 1 pc spare	b - Flat head 40 mm screw  52 pcs - 5 pcs spare
c - Flat head 20 mm screw  22 pcs - 2 pcs spare	d - Flat head 17 mm dull nut  22 pcs - 2 pcs spare	e - Dowel 32 mm  14 pcs - 1 pc spare	f - 4mm hex key  2 pcs



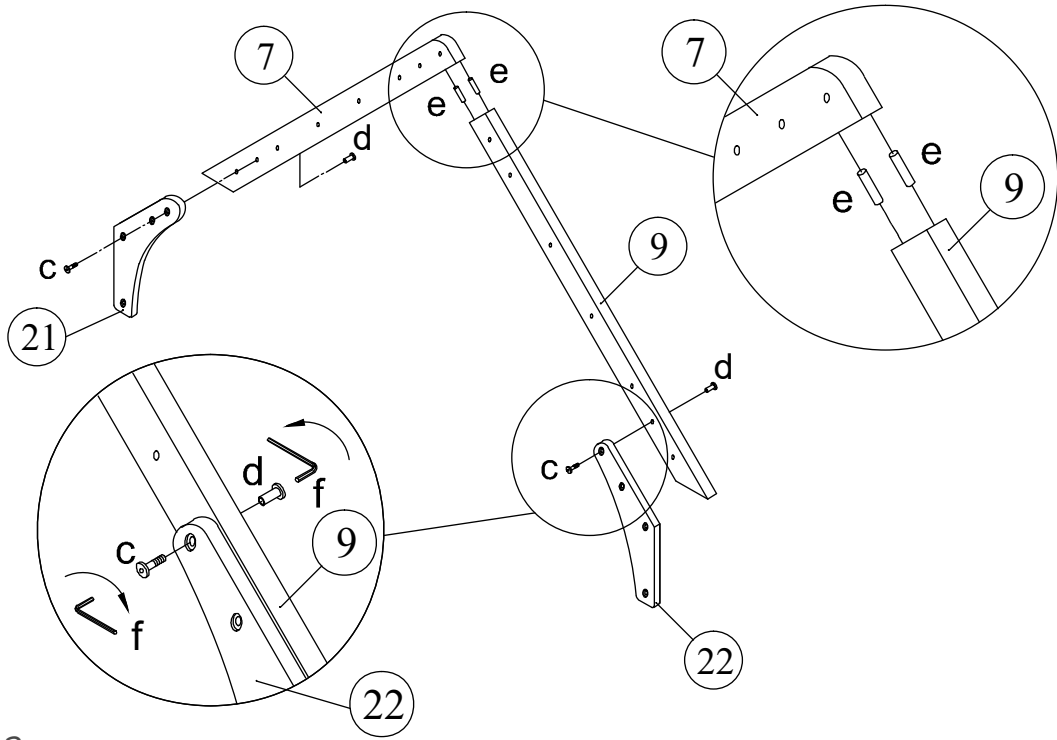
Pic. 1

Assemble Down back base (1) with Down connector left (19) and Down connector right (20) using screws c, nuts d and both hex keys f as shown in the Pic. 1.



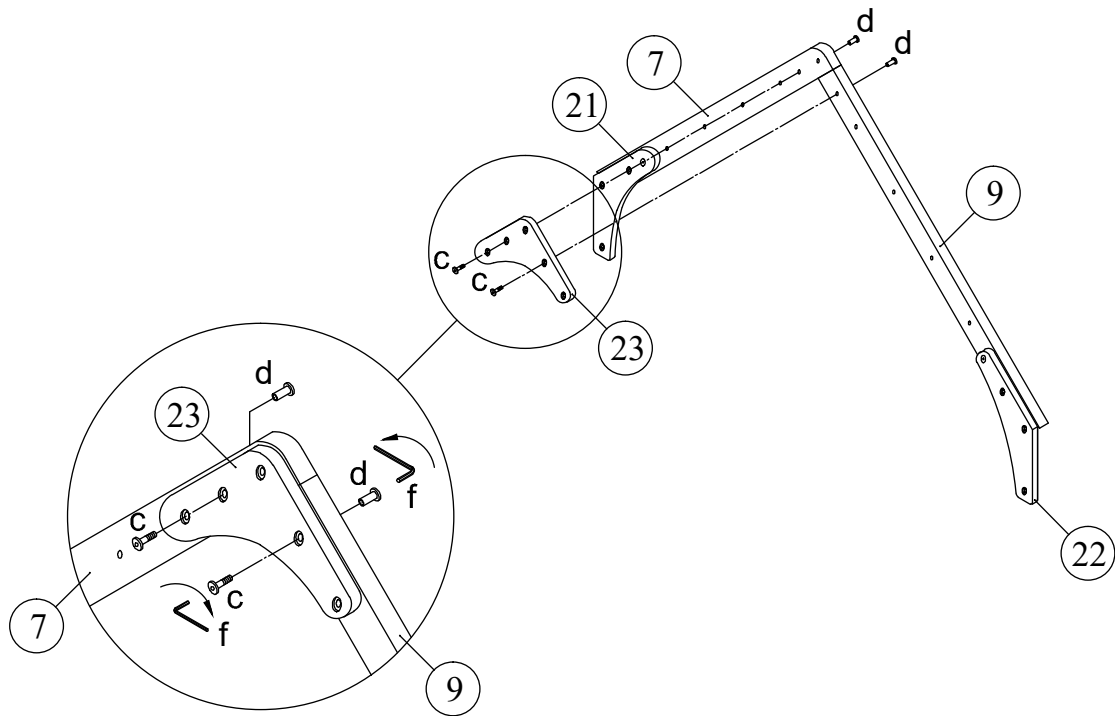
Pic. 2

Insert the dowels e into Side bases (4 and 5). Assemble Down connector left (19) and Vertical base (3) using screws c, nuts d and both hex keys f. Attach Down connector left (19), Vertical base (3) and Side base (4) with screw b, using hex key f. Attach Down connector right (20), Vertical base (2) and Side base (5) with screw b, using hex key f. Attach Down connector right (20), Vertical base (2) and Long nogs (14) with screw b, using hex key f. Assemble Vertical base (2) and 4 Long nogs (14) with screws b, using hex key f. See Pic. 2.



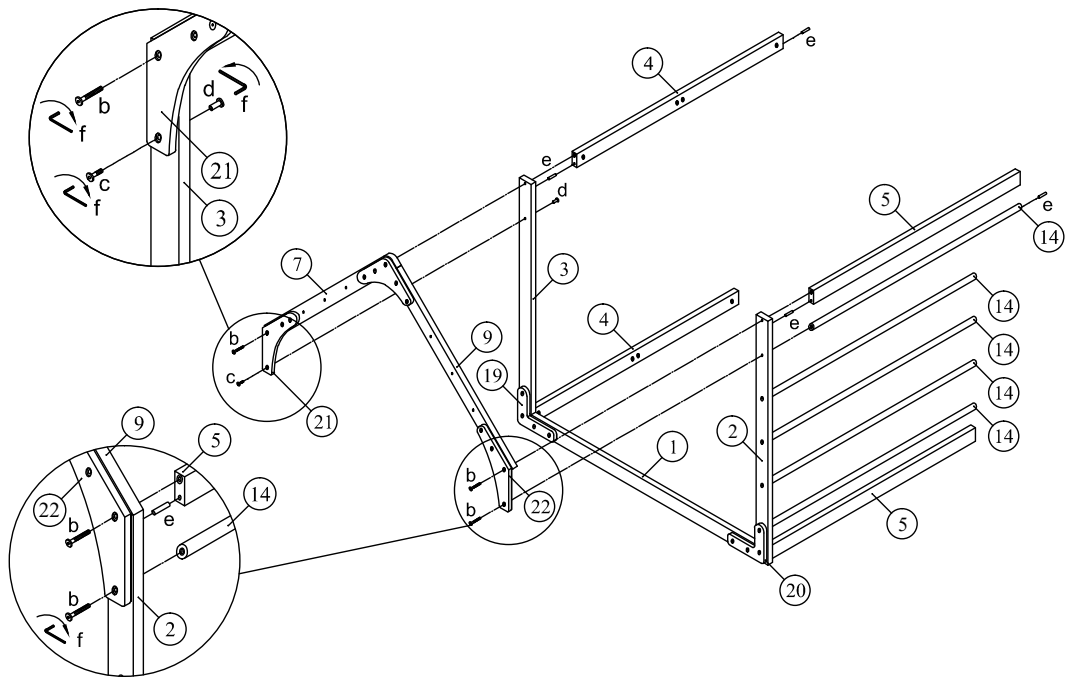
Pic. 3

Insert the dowels e into Up small base right (9) and Up big base right (7) and connect them together. Assemble Up connector left (21) and Up big base right (7), Up connector right (22) and Up small base right (9) with screws c, nuts d and both hex keys f as shown in the Pic. 3.



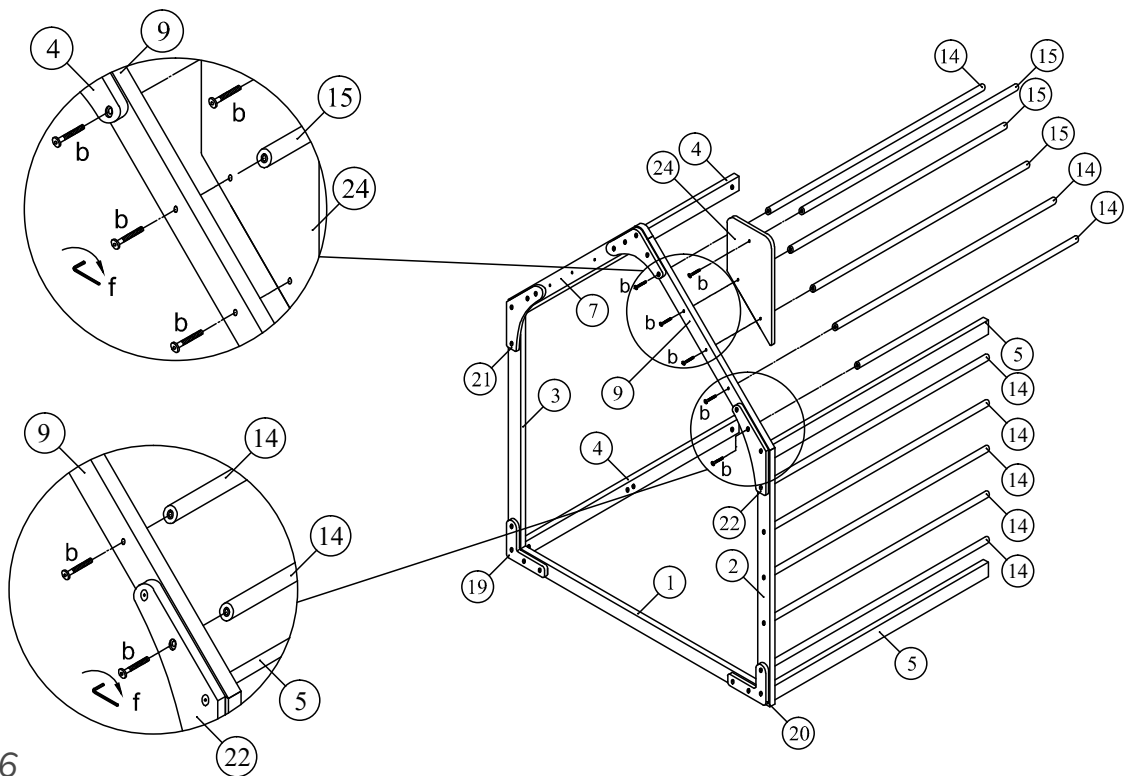
Pic. 4

Assemble Up connector (23) with Up big base right (7) and Up small base right (9) with screws c, nuts d and both hex keys f as shown in the Pic. 4.



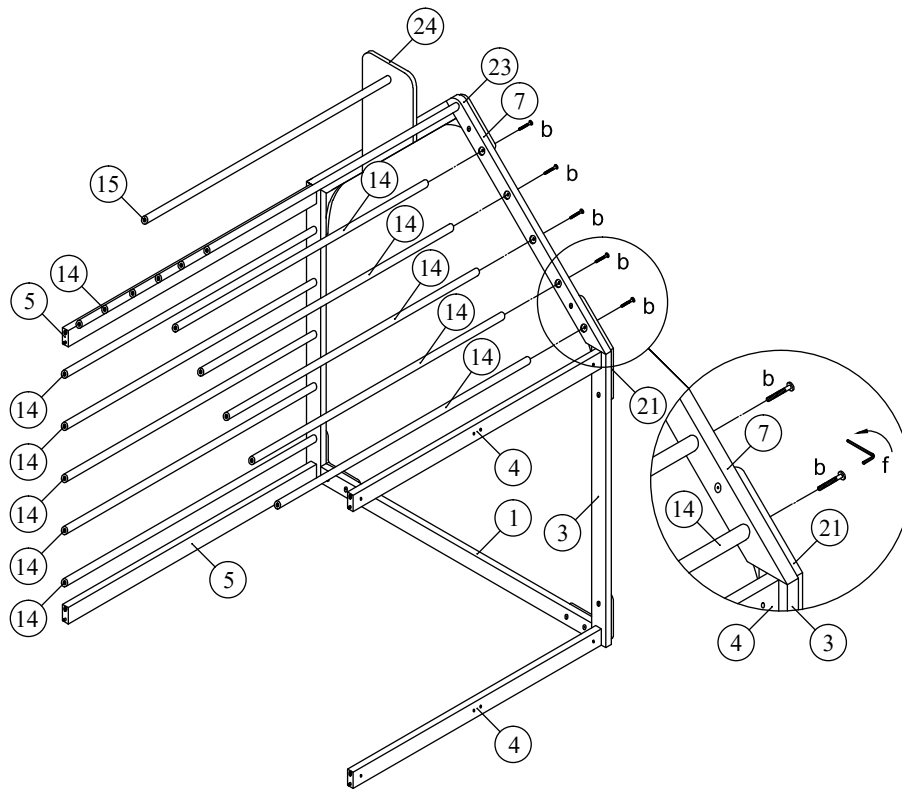
Pic. 5

Insert the dowels e into Side bases (4 and 5). Assemble Up connector left (21) and Vertical base (3) using screw c, nut d and both hex keys f. Connect Up connector left (21), Vertical base (3) and Side base (4) with screw b, using hex key f. Connect Up connector right (22), Vertical base (2) with Side base (5) and Long nog (14) with screws b, using hex key f. See Pic. 5.



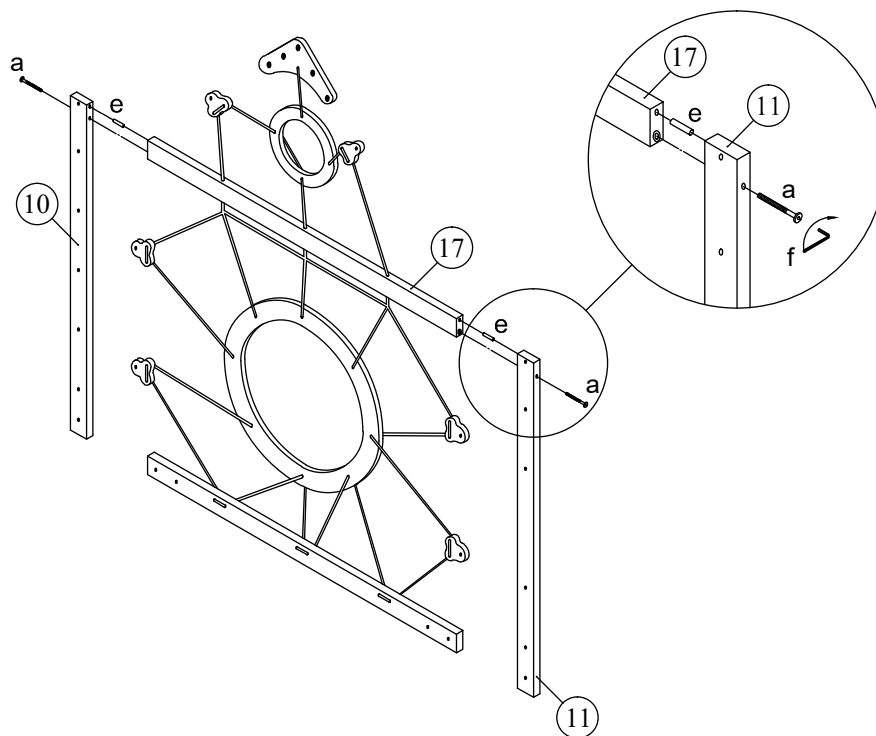
Pic. 6

Attach Up connector right (22), Up small base right (9) and Long nog (14) with screw b, using hex key f. Connect Up small base right (9) and Long nog (14) with screw b, using hex key f. Assemble Up small base right (9), Right chimney (24) and 2 Nogs (15) using screws b and hex key f. Connect Right chimney (24) and Nog (15) using screw b and hex key f. Attach Up connector (23), Up small base right (9) and Long nog (14) with screw b, using hex key f. See Pic. 6.



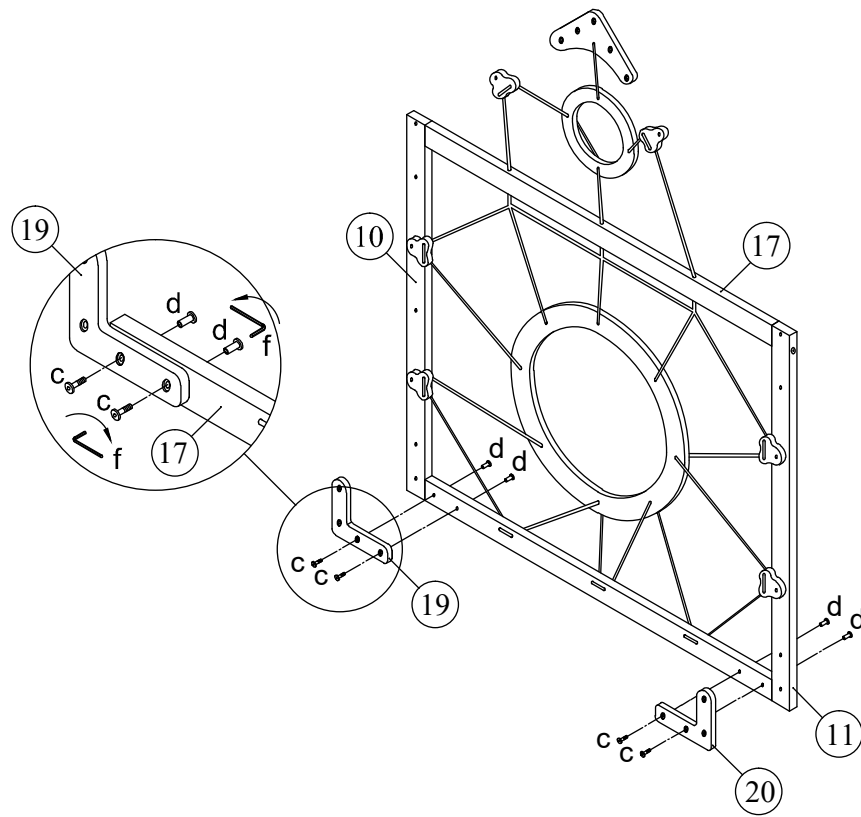
Pic. 7

Assemble Up connector left (21), Up big base right (7) and Long nog (14) using screw b with hex key f. Connect Up big base right (7) and 3 Long nogs (14) with screws b, using hex key f. Assemble Up connector (23), Up big base right (7) and Long nog (14) using screw b with hex key f. See Pic. 7.



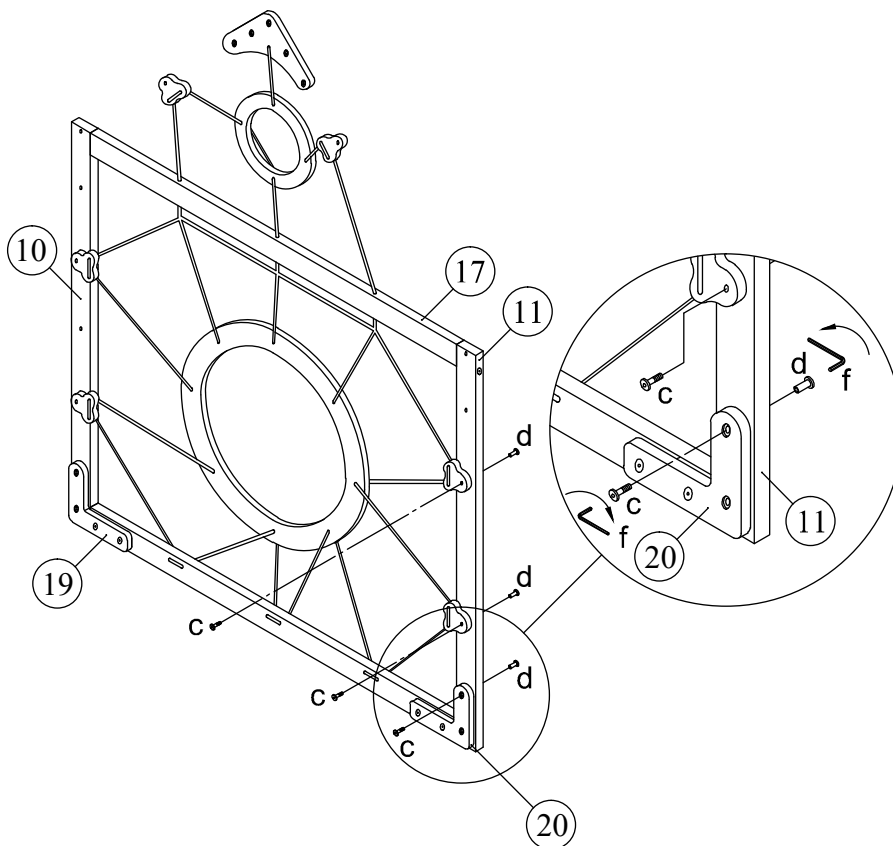
Pic. 8

Insert the dowels e into Plywood rope ladder (17). Assemble Plywood rope ladder (17) and Vertical bases (10 and 11) using screws a and hex key f. See Pic. 8.



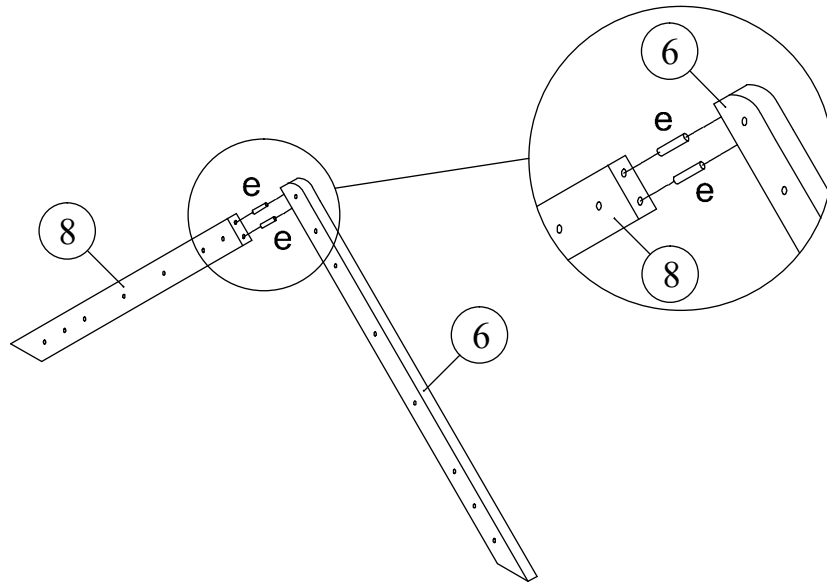
Pic. 9

Assemble Plywood rope ladder (17) with Down connector left (19) and Down connector right (20) using screws c, nuts d and both hex keys f as shown in the Pic. 9.



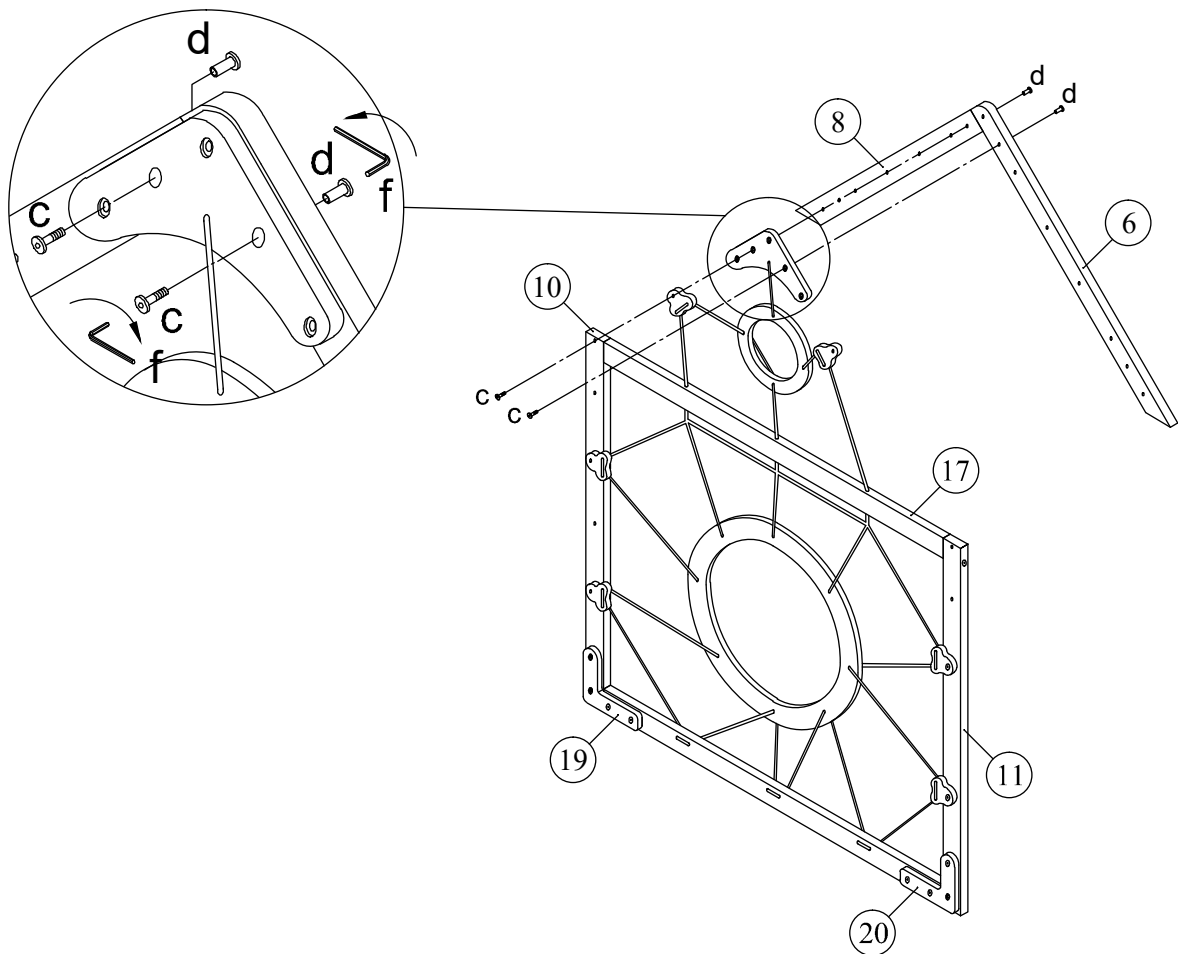
Pic. 10

Assemble Down connector right (20) with Vertical base (11) using screw c, nut d and both hex keys f . Attach Plywood rope ladder (17) with Vertical base (11) using screws c, nuts d and both hex keys f . See Pic. 10.



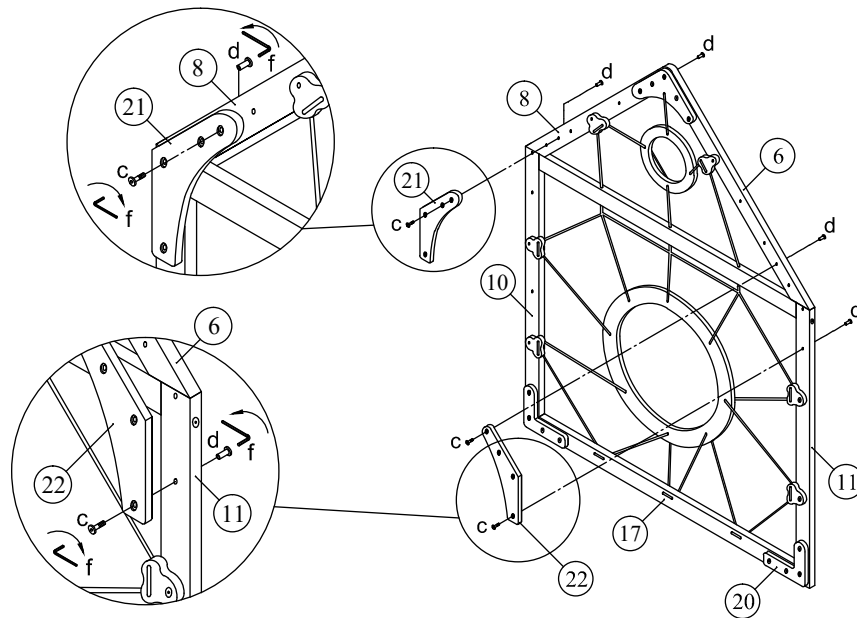
Pic. 11

Insert the dowels e into Up small base left (8) and Up big base left (6) and connect them together as shown in the Pic. 11.



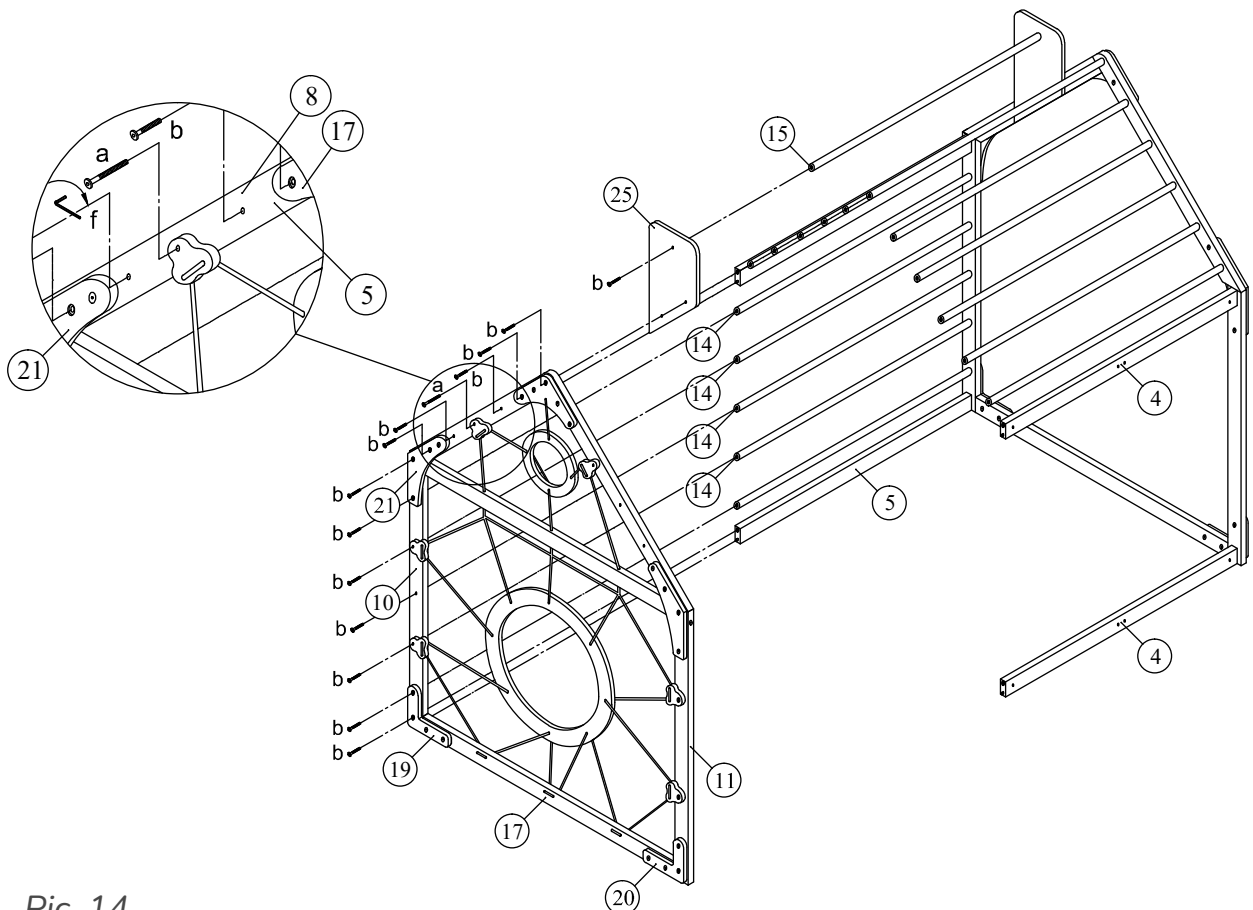
Pic. 12

Assemble Plywood rope ladder (17), Up small base left (8) and Up big base left (6) with screws c, nuts d and both hex keys f as shown in the Pic. 12.



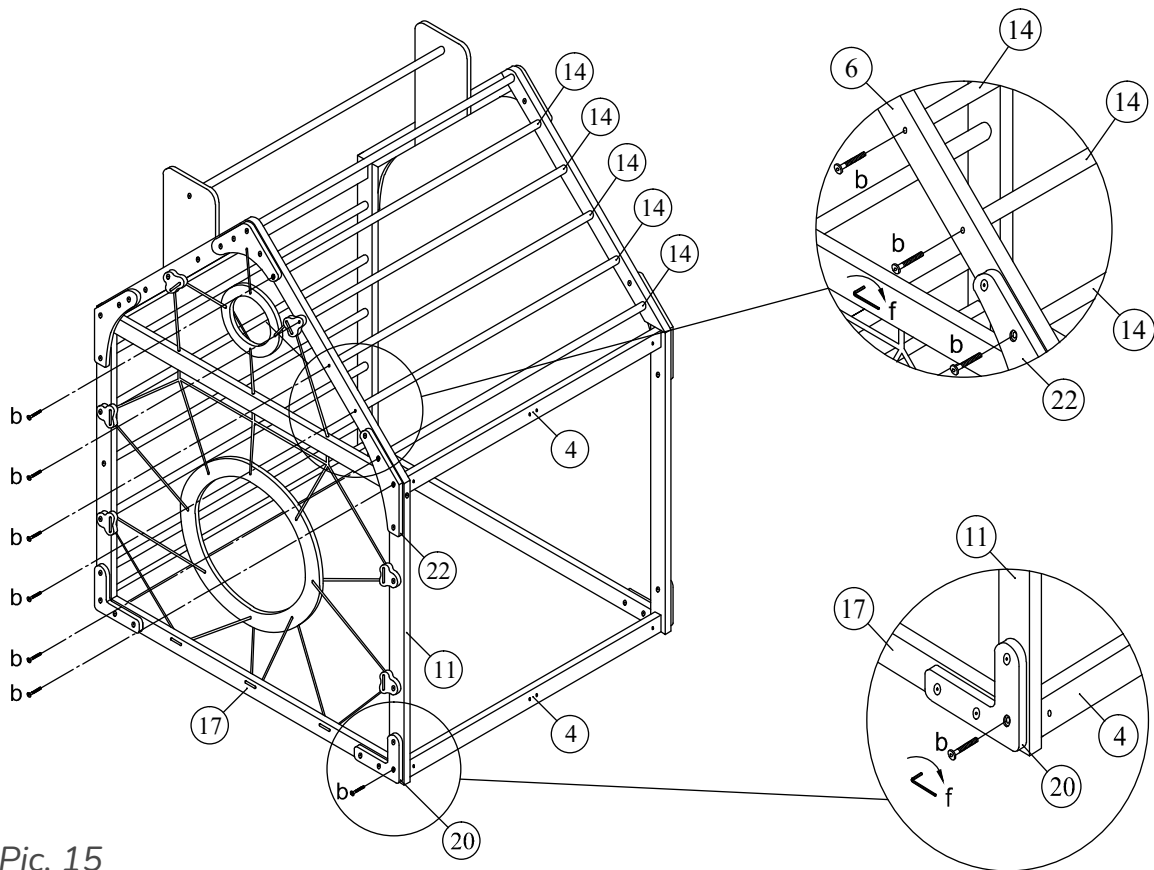
Pic. 13

Assemble Up connector left (21) and Up small base left (8) with screw c, nut d and both hex keys f. Connect Up connector right (22) with Up big base left (6) and Vertical base (11) with screws c, nuts d and both hex keys f as shown in the Pic. 13.



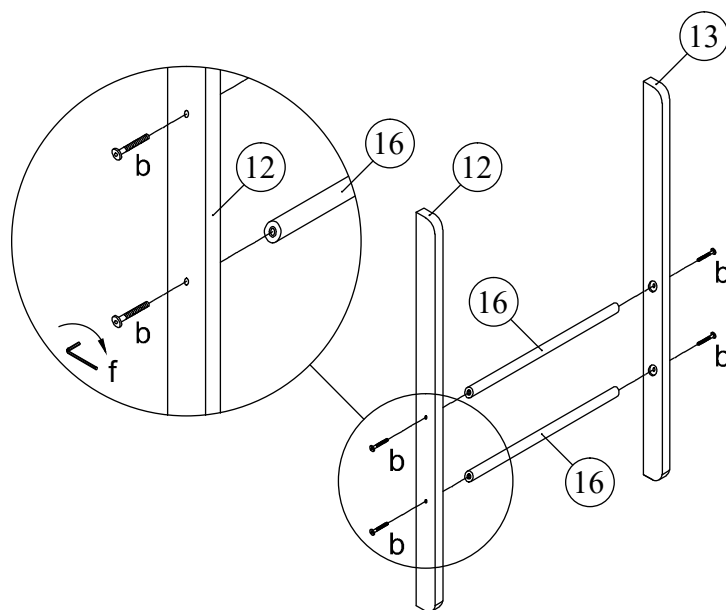
Pic. 14

Connect Down connector left (19) and Vertical base (10) with Side base (5) and Long nog (14) using screws b and hex key f. Assemble Plywood rope ladder (17), Vertical base (10) and Long nogs (14) with screws b using hex key f. Attach Up connector left (21), Vertical base (10) with Side base (5) and Long nogs (14) using screws b and hex key f. Connect Plywood rope ladder (17), Up small base left (8), Left chimney (25) with Long nogs (14) and Nogs (15) with screws a, b using hex key f. See Pic. 14.



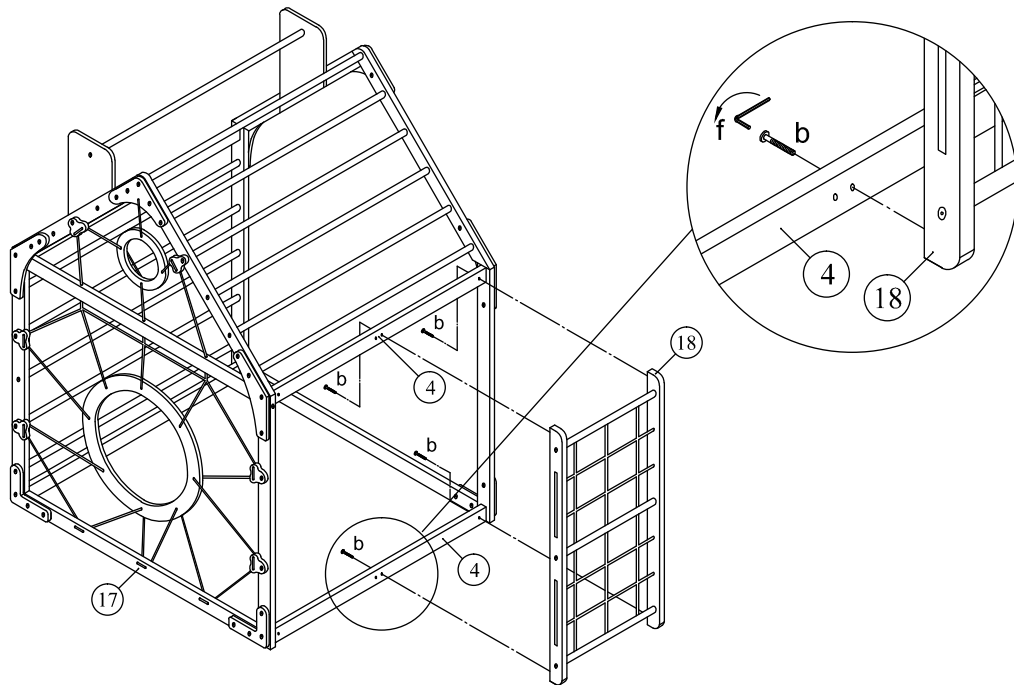
Pic. 15

Assemble Down connector right (20), Vertical base (11) with Side base (4) using screw b and hex key f. Assemble Up connector right (22), Vertical base (11) with Side base (4) using screw b and hex key f. Attach Up connector right (22), Up big base left (6) with Nog (14) using screw b and hex key f. Connect Plywood rope ladder (17), Up big base left (6) with Nogs (14) using screws b and hex key f. See Pic. 15.



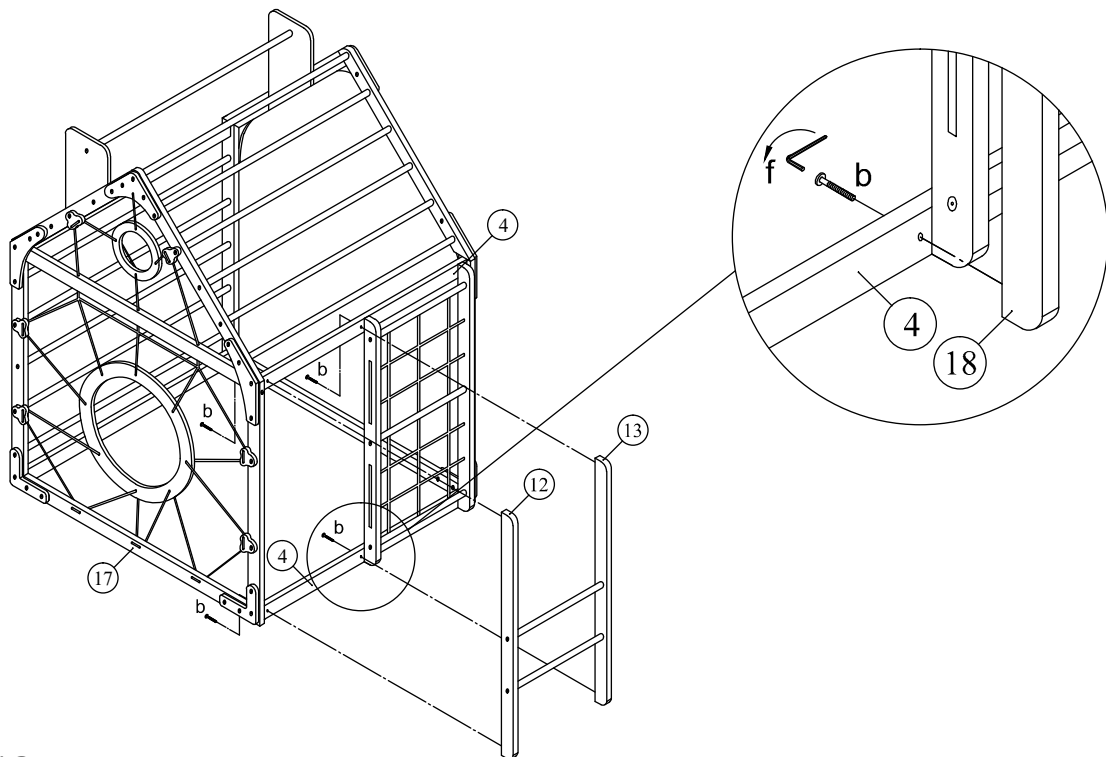
Pic. 16

Assemble the Ladder with 2 steps as shown in the Pic. 16. Take the sides of the Ladder (12, 13) and 2 Short nogs (16). Screw the parts together with screws b, using hex key f.



Pic. 17

Screw the Rope Ladder with Side bases (4) with screws b, using hex key f. See Pic. 17.



Pic. 18

Screw the Ladder with 2 steps with Side bases (4) with screws b, using hex key f. See Pic. 18.



To be used for its intended purpose only and under the direct supervision of an adult!
All the responsibility for children's injuries received during games on the furniture lies on adults watching after them.

Always be vigilant during children's games!