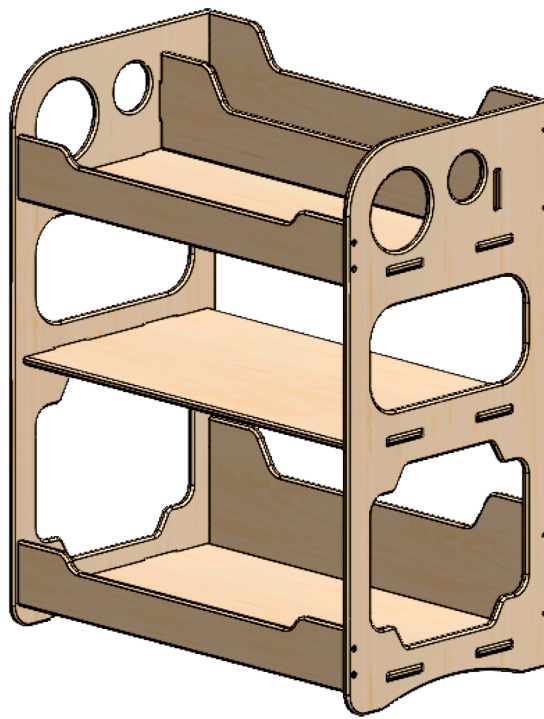
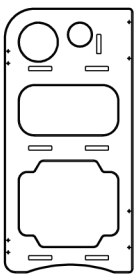
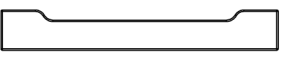
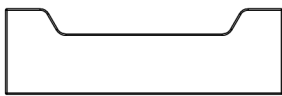
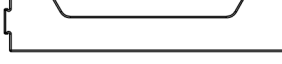

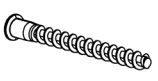
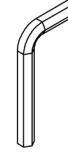
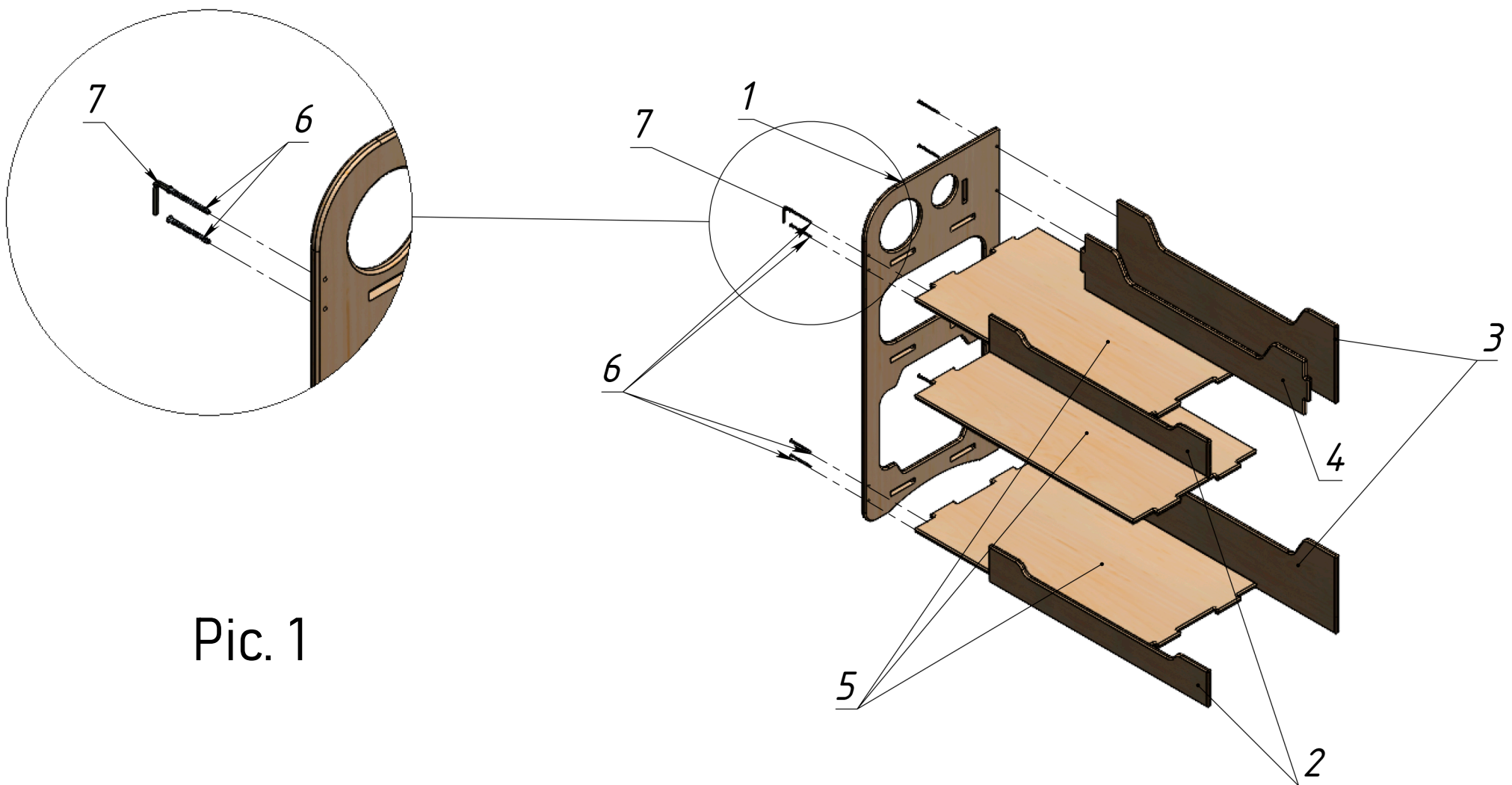


# Bookshelf "Charlie"



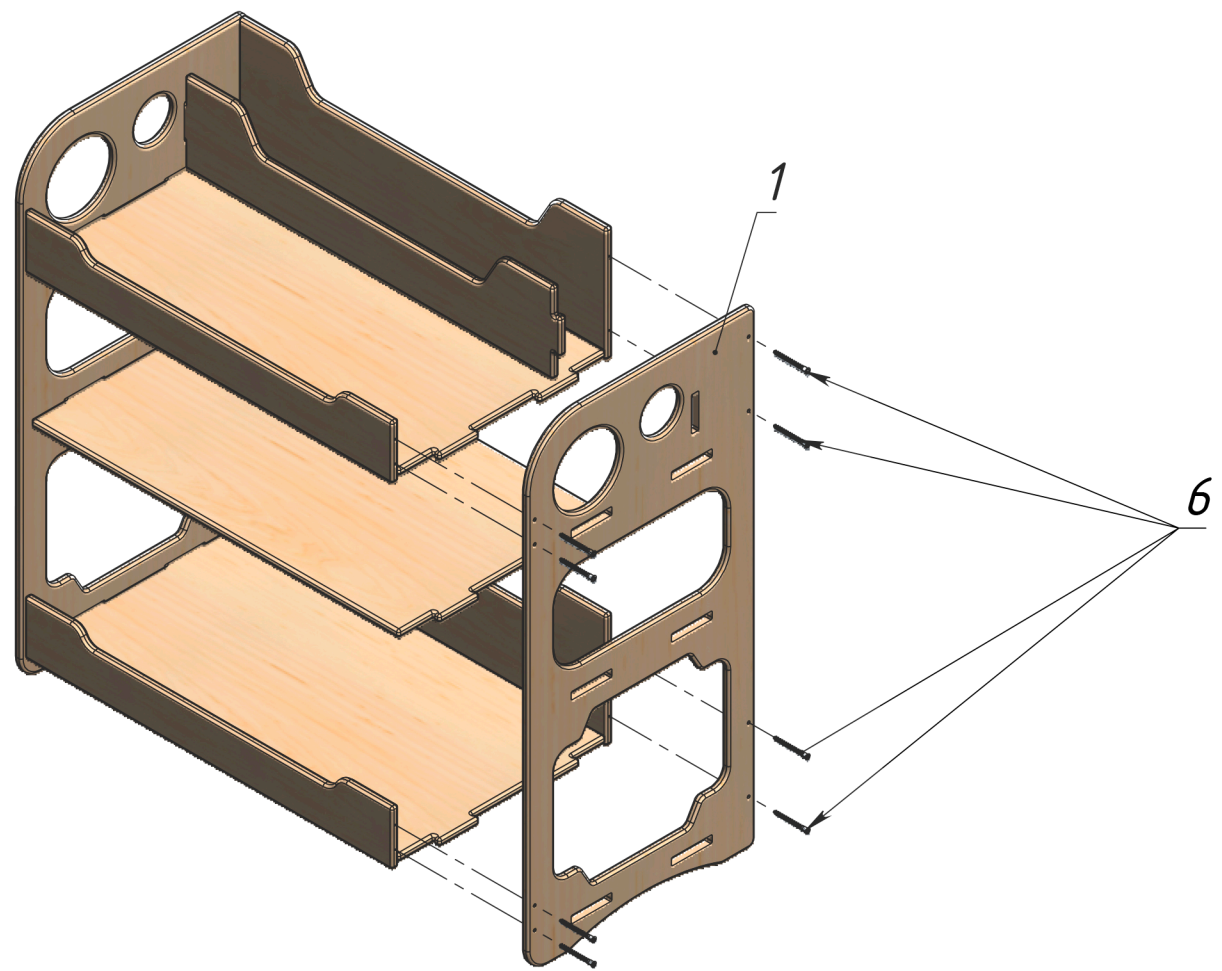
## ASSEMBLY DETAILS

|   |   |  |  |
|---|---|--|--|
| <p>1 - Sidewall</p>  <p>2 pcs.</p> | <p>2 - Front plank</p>  <p>2 pcs.</p>           | <p>3 - Back plank</p>  <p>2 pcs.</p>  | <p>4 - Middle plank</p>  <p>1 pc.</p> |
| <p>5 - Base</p>  <p>3 pcs.</p>     | <p>6 - Confirmat screws 5x40</p>  <p>16 pcs.</p> | <p>7 - 3 mm Hex key</p>  <p>1 pc.</p> |  |



Pic. 1

Take the Sidewall (1) and using the confirmat screws (6) and 3 mm Hex key (7), connect the Front and Back planks (2,3). Then take the Middle plank and Bases (4,5) and insert into the holes in the Sidewall (1). See Pic. 1.



Pic. 2

Finish the assembly by adding another Sidewall (1) and screwing it to the assembled construction with the Confirmat screws (6). See Pic. 2

**To be used under the direct supervision of an adult only.  
Always be vigilant during children's games**