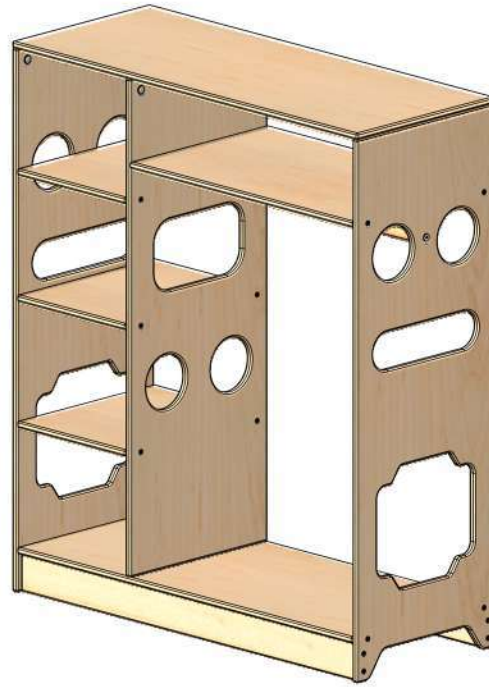
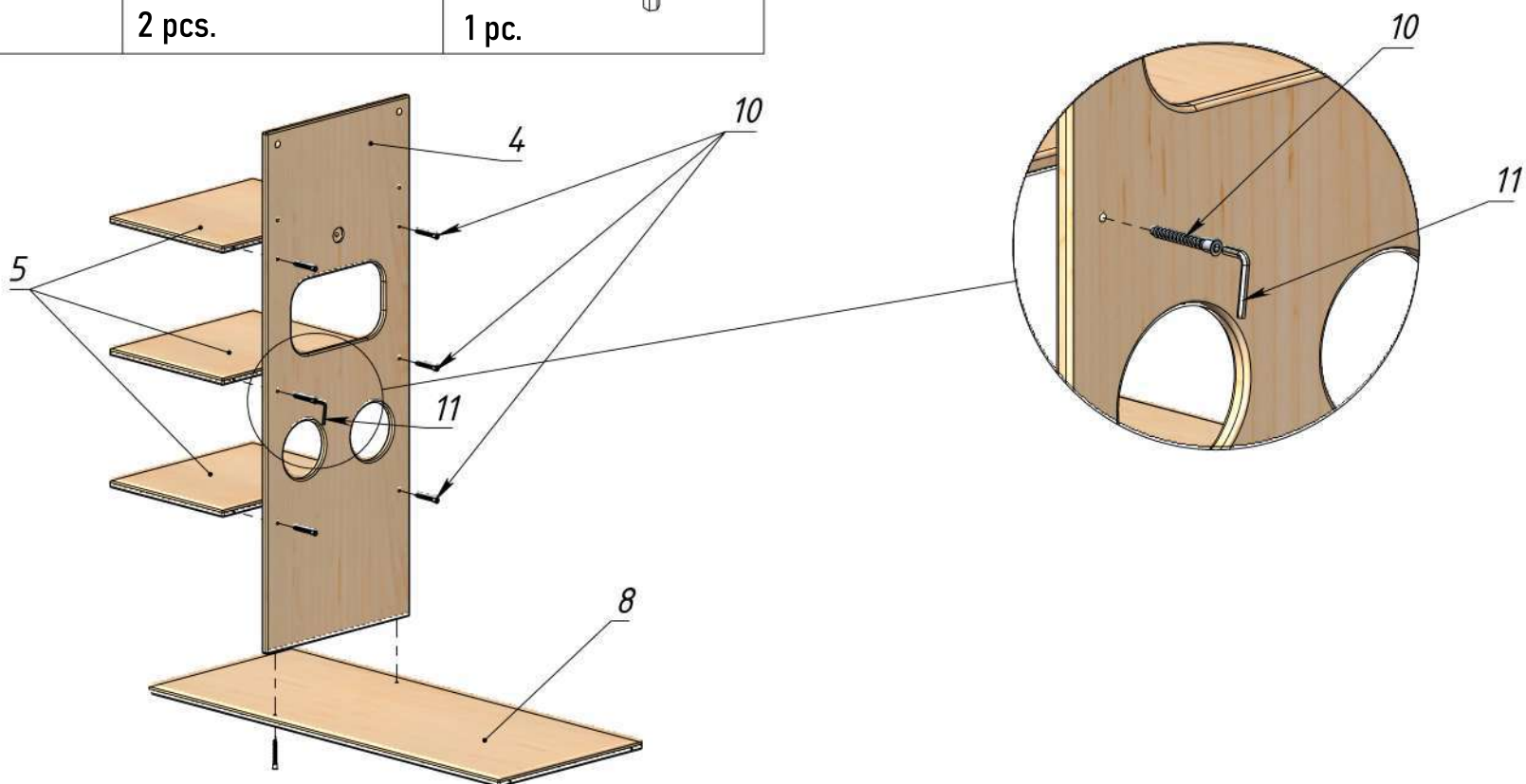


Wardrobe «Champion +»



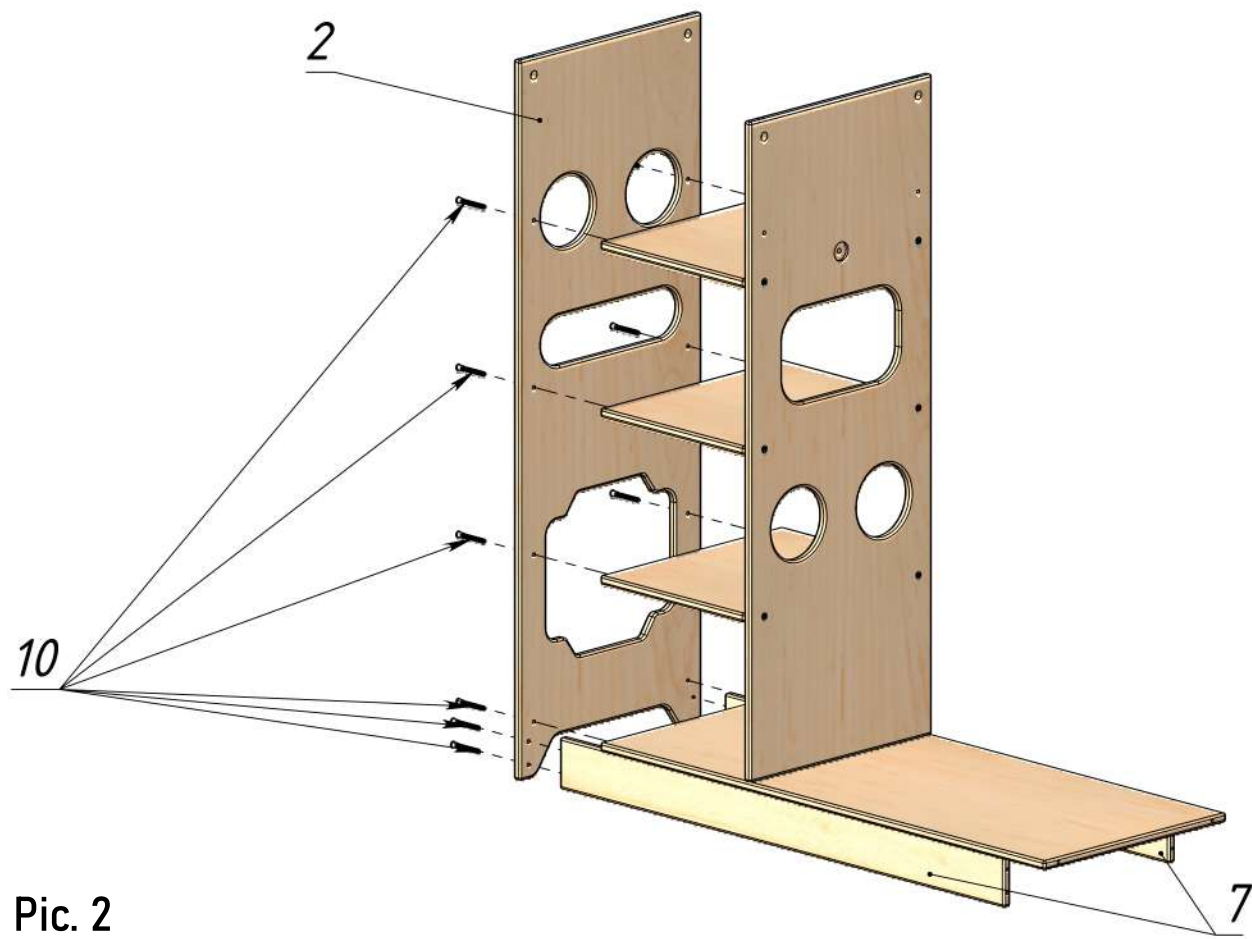
ASSEMBLY PARTS

1 - Upper cover 1 pc.	2 - Left sidewall 1 pc.	3 - Right sidewall 1 pc.	4 - Middle wall 1 pc.	5 - Small shelf 3 pcs.	6 - Crossbar 1 pc.
7 - Rail 2 pcs.	8 - Lower plank 1 pc.	9 - Large shelf 1 pc.	10 - Confirmat screw 5x40 mm 30 pcs.	11 - 3 mm hex key 1 pc.	12 - Set of Minifixes* 6 pcs.
13 - Screwdriver 1 pc.	14 - Self-tapping screw 6.3x40 mm 2 pcs.	15 - 4 mm hex key 1 pc.	*Eccentric couplers are already installed into the necessary details		



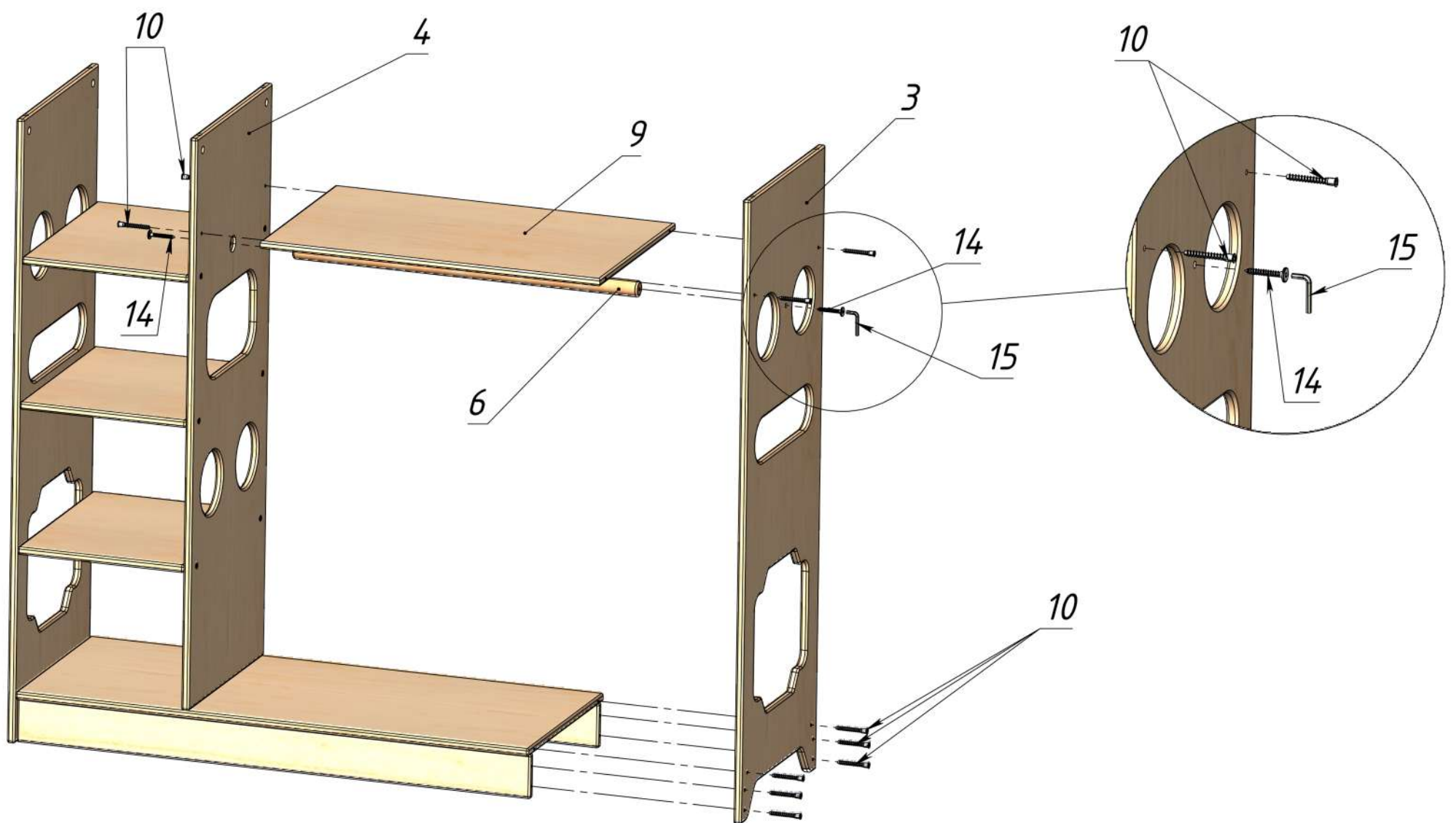
Pic.1

Take the Lower plank (8) and using the Confirmat screws (9) and 3 mm hex key (10), connect it to the Middle wall (4). Then screw the Shelves (5) to the Middle wall (4) using the Confirmat screws. See Pic. 1



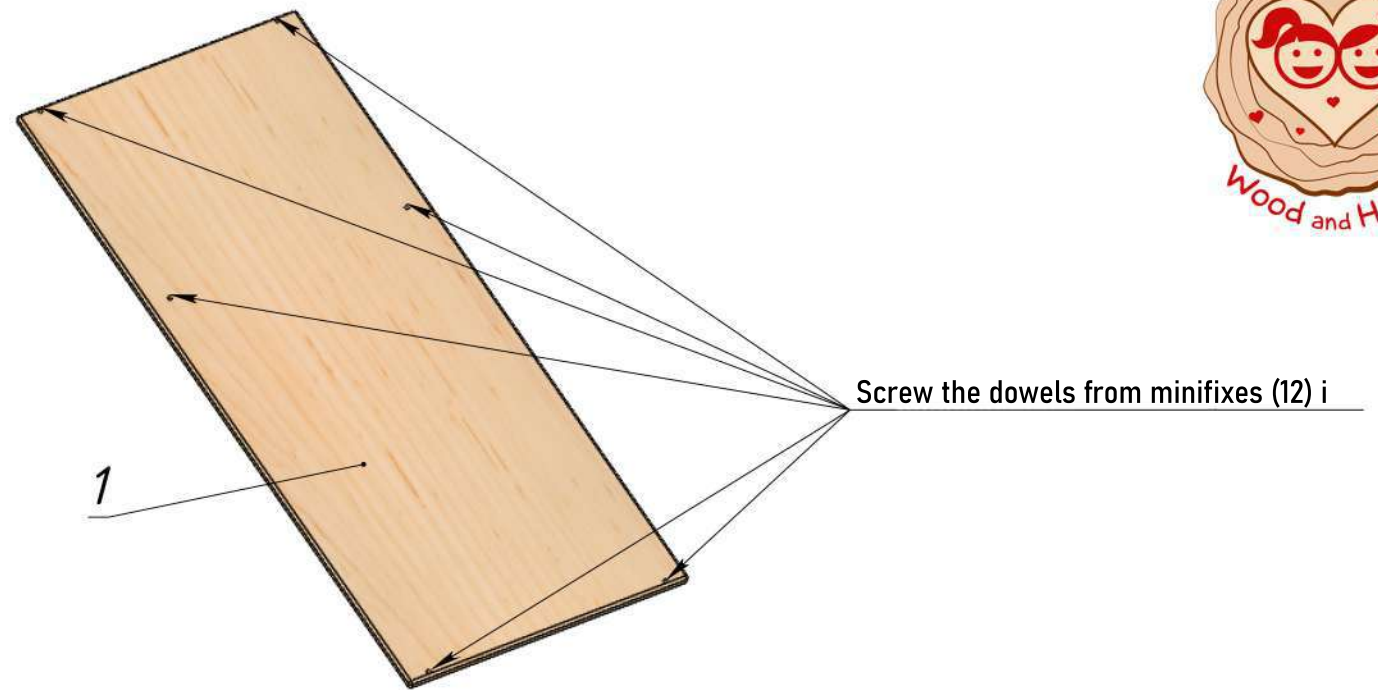
Pic. 2

Take the Left sidewall (2) and using the Confirmat screws (9), connect the Rails (7) to it. Connect the assembled constructions with the Conirmat screws (9). See Pic.2



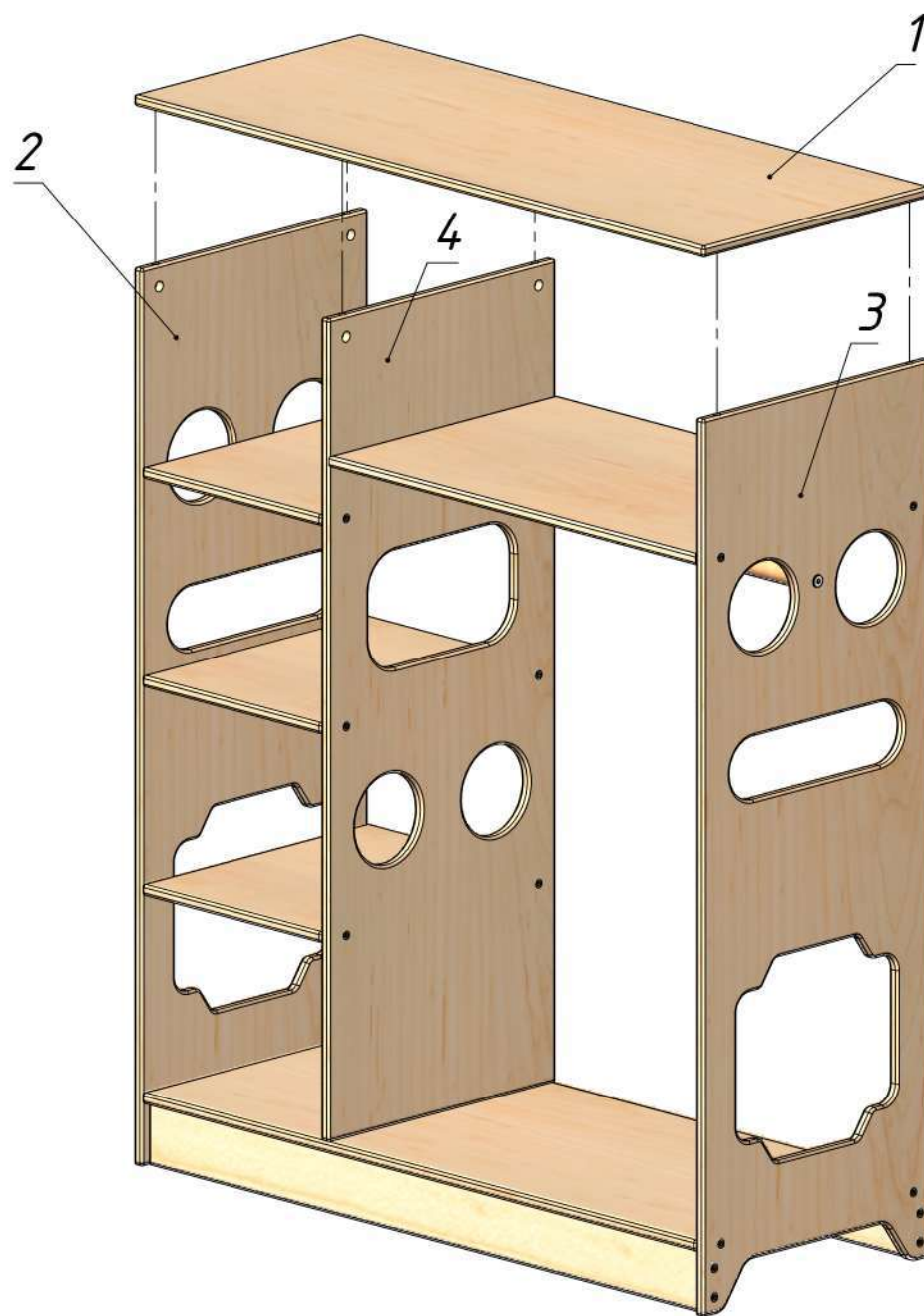
Pic. 3

Take the Self-tapping screws (14) and 4 mm hex key (15), connect the Crossbar (6) to the previously assembled construction. Then take the Large shelf (9) and using the Confirmat screws (10), connect it to the Middle wall (4). Then screw the Right sidewall (3) to the Rails (7) and Large shelf (9) using the Confirmat screws (10). The Crossbar is to be connected with the Self-tapping screw (14). See Pic. 3



Pic. 4

Take the Upper Cover (1) and using the Screwdriver (13), screw the dowels from Minifixes (12) in. See Pic. 4



Pic. 5

Take the Upper cover (1) and screw it to the previously assembled construction, and close the Eccentric couplers clockwise on the Right, Left, and Middle walls (2,3,4). See Pic. 5

To be used under the direct supervision of an adult only.