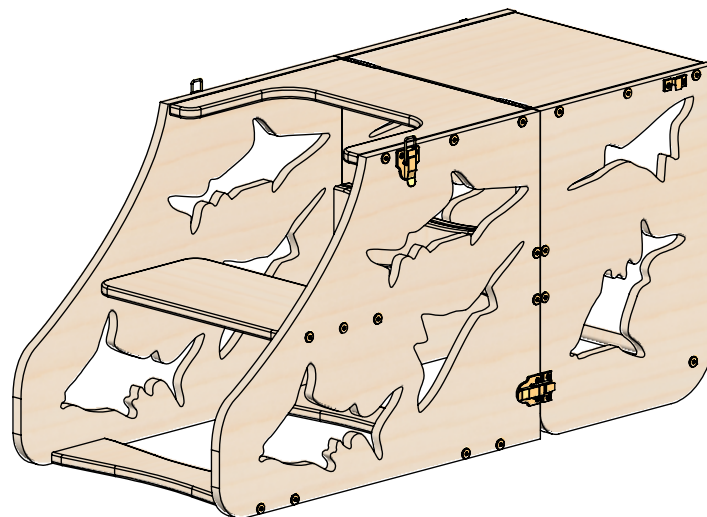
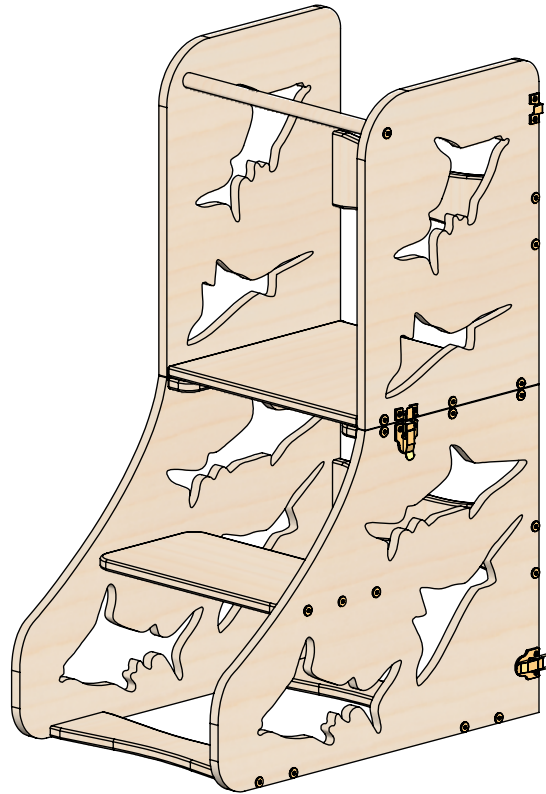




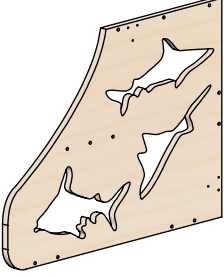




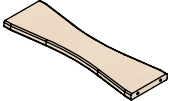
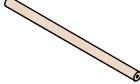
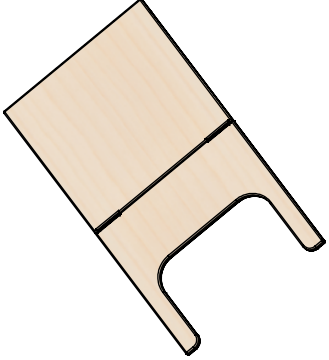


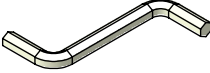
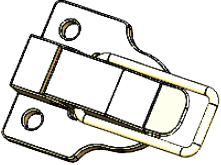
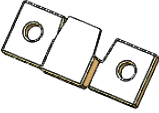
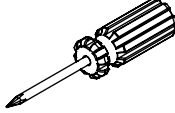
Chair without back, Sharks cutouts



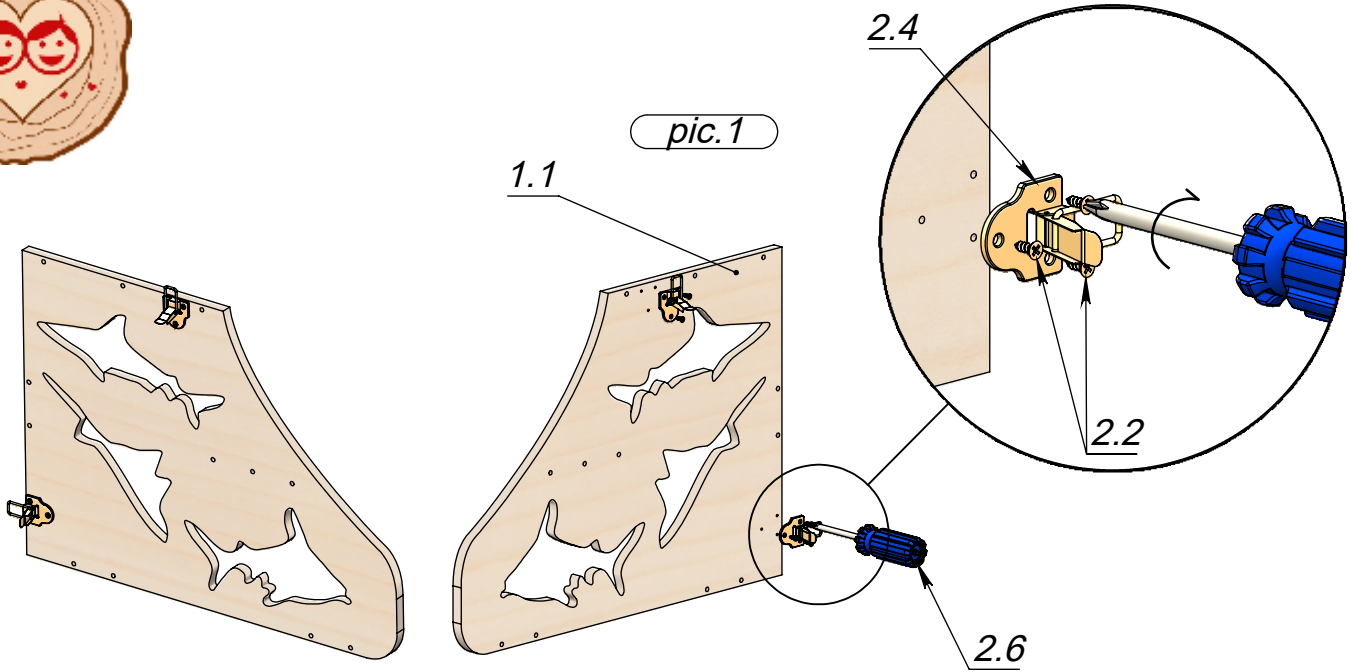
Check all the locking locks before use!!!



ASSEMBLY PARTS

<p>1.1</p>  <p>Lower sidewall Right 1pc.</p>	<p>1.2</p>  <p>Lower sidewall Left 1pc.</p>	<p>1.3</p>  <p>Top sidewall Left 1pc.</p>	<p>1.4</p>  <p>Top sidewall Right 1pc.</p>
<p>1.5</p>  <p>Seat - 1pc.</p>	<p>1.6</p>  <p>Lintel - 4pcs.</p>	<p>1.7</p>  <p>Nog - 1pc.</p>	<p>1.8</p>  <p>Table-top 2 connected pcs.</p>
<p>2.1</p>  <p>Flat head screw 38pcs. (36pcs.+2 spare)</p>	<p>2.2</p>  <p>Small screw (3x12) 22pcs. (20pcs.+ 2spare)</p>	<p>2.3</p>  <p>4mm hex key - 1pc</p>	
<p>2.4</p>  <p>Lock - 4pcs.</p>	<p>2.5</p>  <p>Lock hooks - 4pcs.</p>	<p>2.6</p>  <p>Screwdriver - 1pc.</p>	

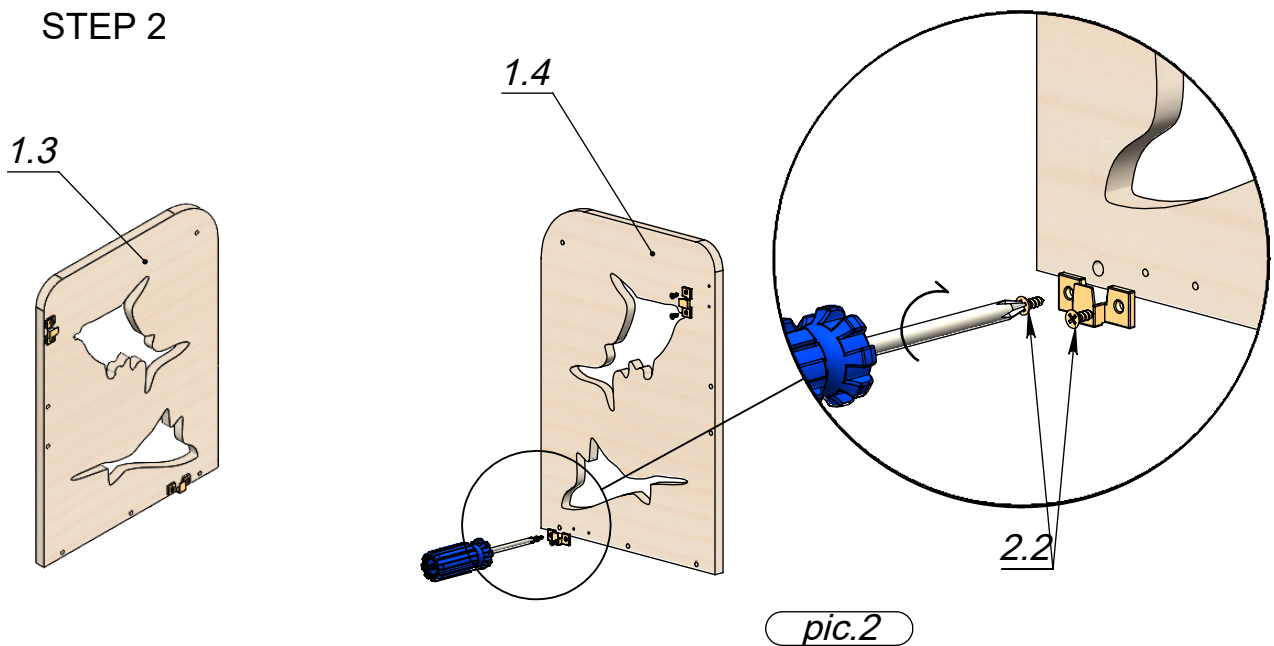
STEP 1



1. Take Lower sidewalls (1.1; 1.2). (page 2).

2. Connect the Locks (2.4) to the outer sides of the lower sidewalls (1.1; 1.2) using the small screws (2.2).

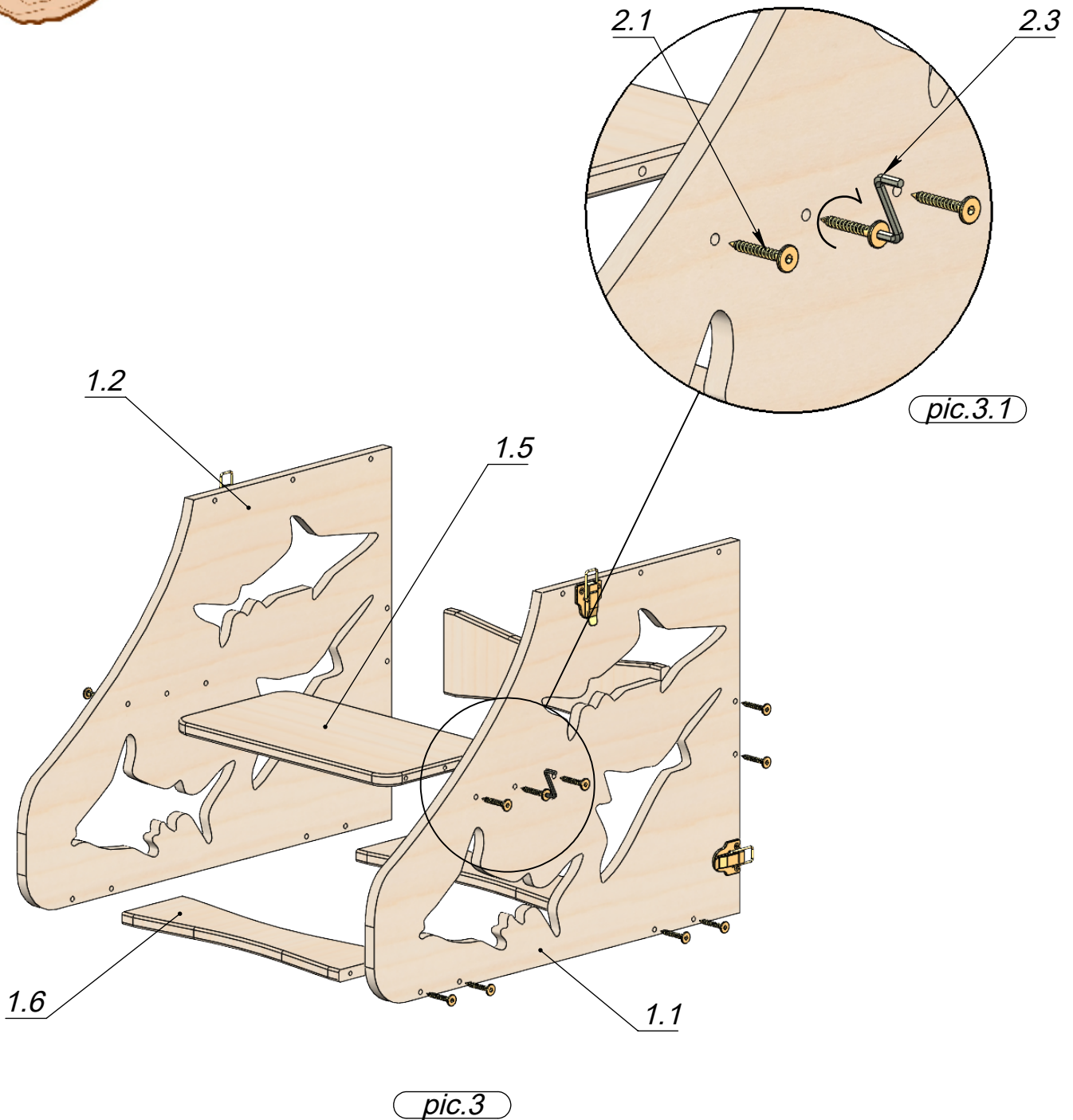
STEP 2



1. Take Top sidewalls (1.3; 1.4). (page 2).

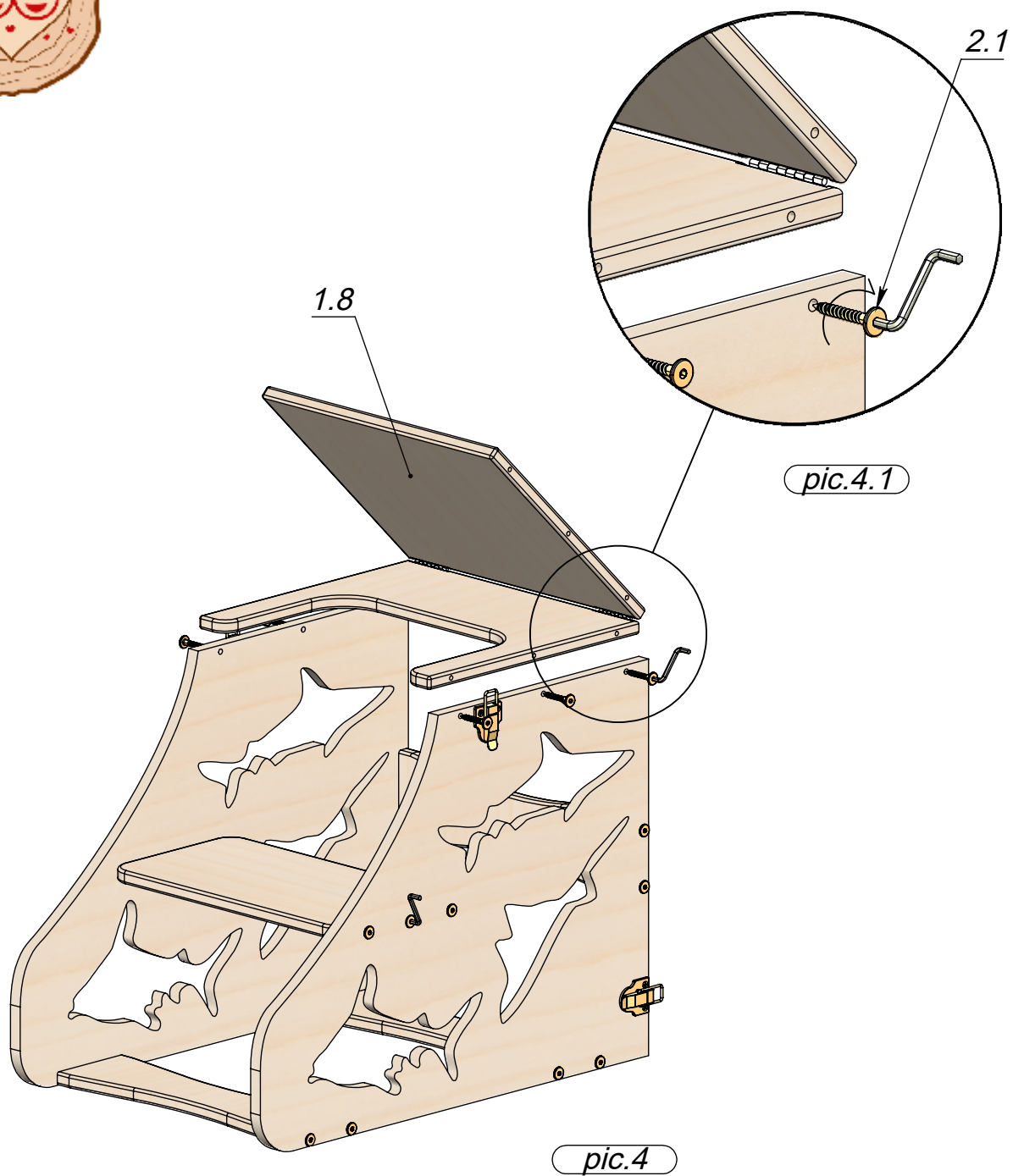
2. Connect the Lock Hooks (2.5) to the outer sides of the top sidewalls (1.3; 1.4) using the small screws (2.2).

STEP 3



1. Take Lower sidewalls (locks to outer) , Seat (1.5), and a Lintel (3 pcs.). (page 2).
2. Fasten the parts with 2.1 screws as shown in picture 1 (pic.3.1) using the hex key 2.3.
3. Locks must be outside!

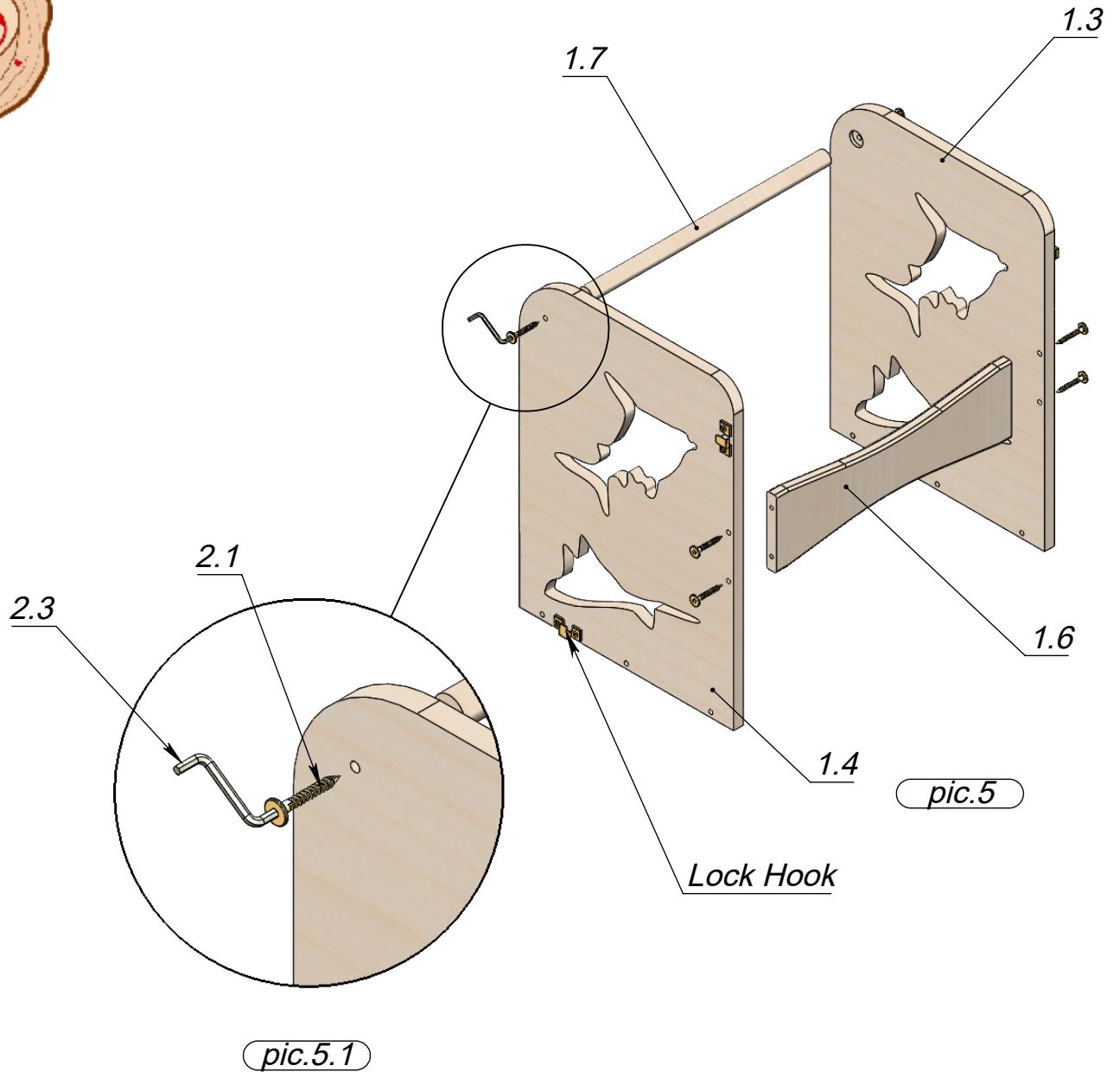
STEP 4



1. Take detail 1.8 (page 2).
2. Fold the part 1.8. and screw to the assembled structure (pic.4 and pic.4.1).



STEP 5



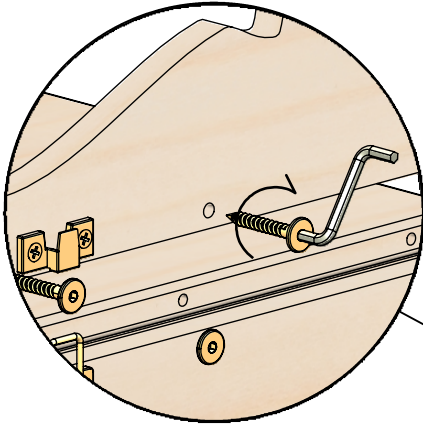
1. Take Top sidewalls (1.3; 1.4), Lintel (1.6), Nog (1.7) (page 2).

2. Fasten the parts with 2.1 screws as shown in picture 1 (pic.5 and 5.1) using the hex key 2.3.

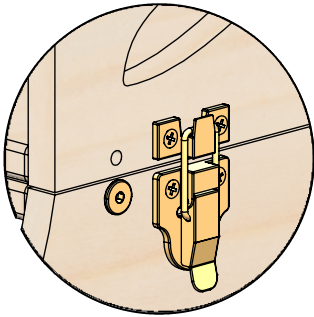
3. Lock Hooks must be outside!



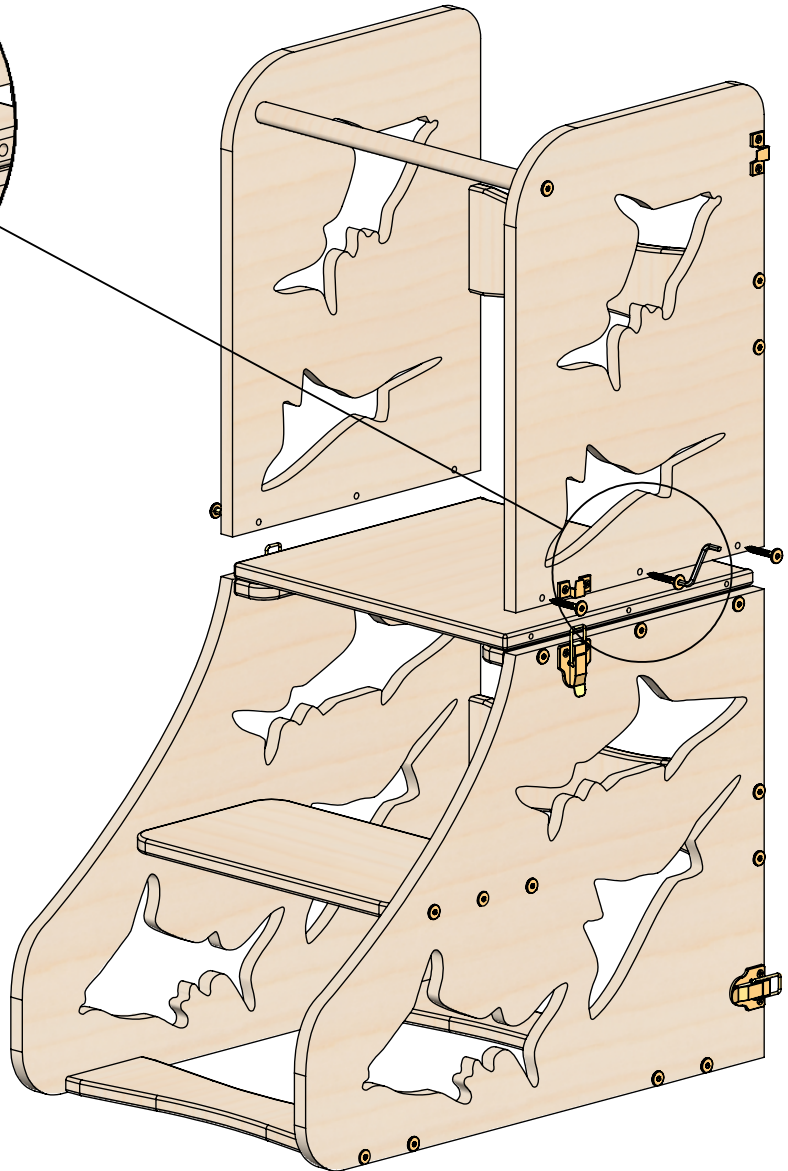
STEP 6



pic.6.1



connect them with lock



pic.6

1. We put two assembled elements as shown in the picture 6, and connect them with lock.
2. Fasten the parts with 2.1 screws as shown in picture.4.1 using the hex key 2.3.