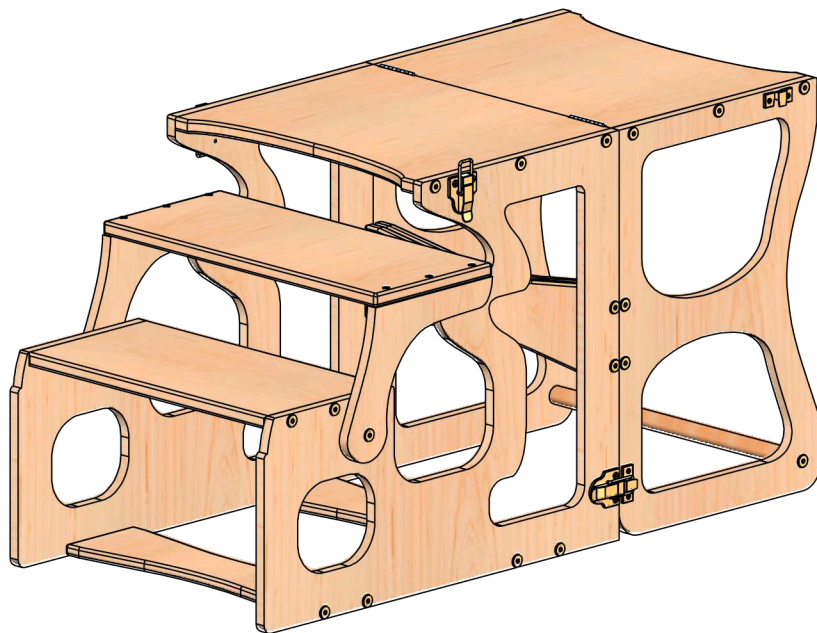
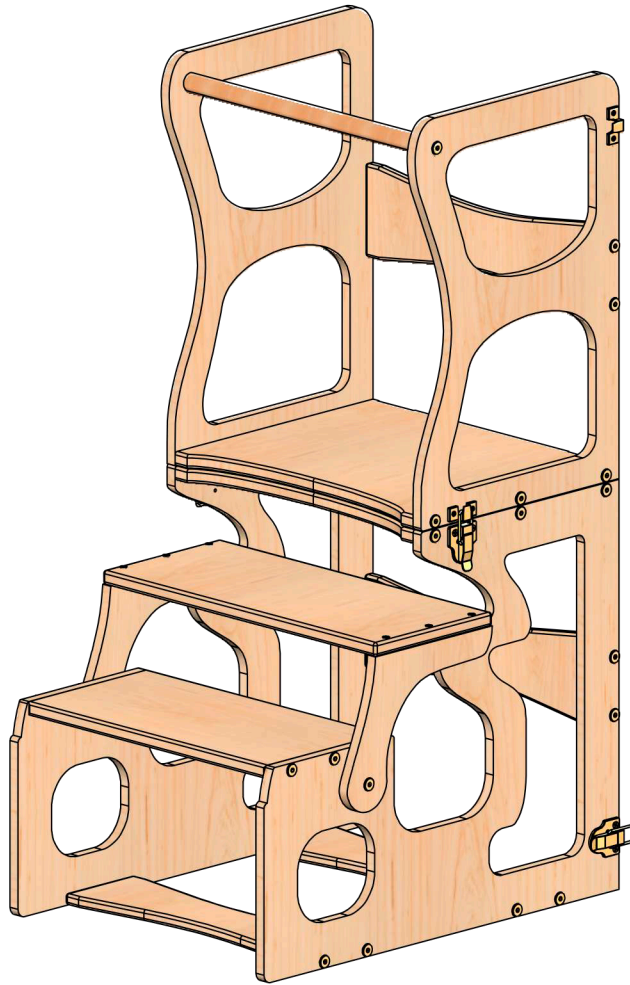
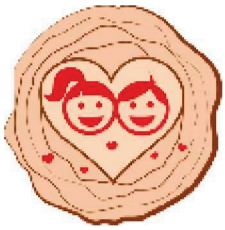


## Chair with back, Simple Shapes cutouts



*Check all the locking locks before use !!!*

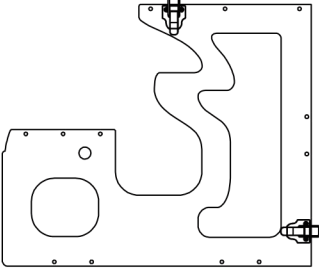
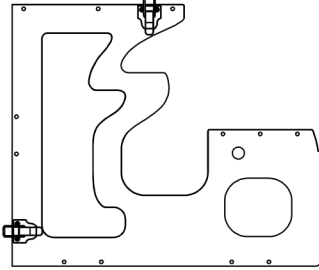
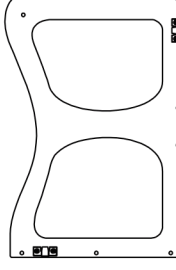
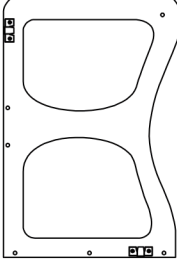
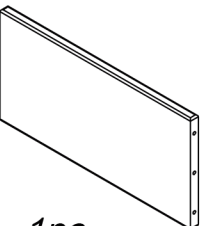
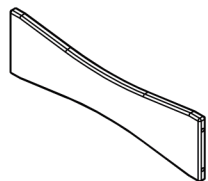
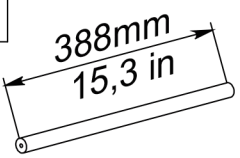
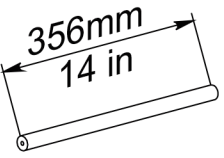
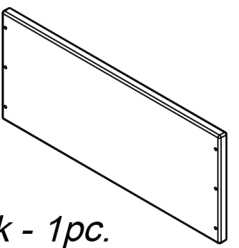
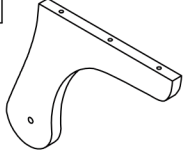
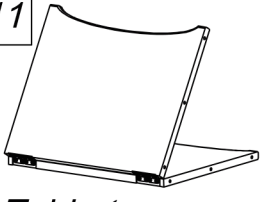
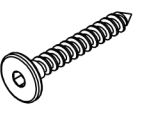



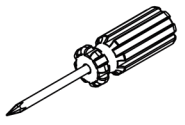


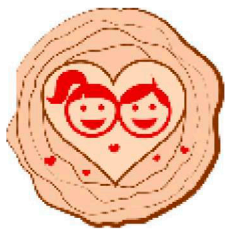
To be used under the direct supervision of an adult only.  
Always be vigilant during children's games

## ASSEMBLY PARTS

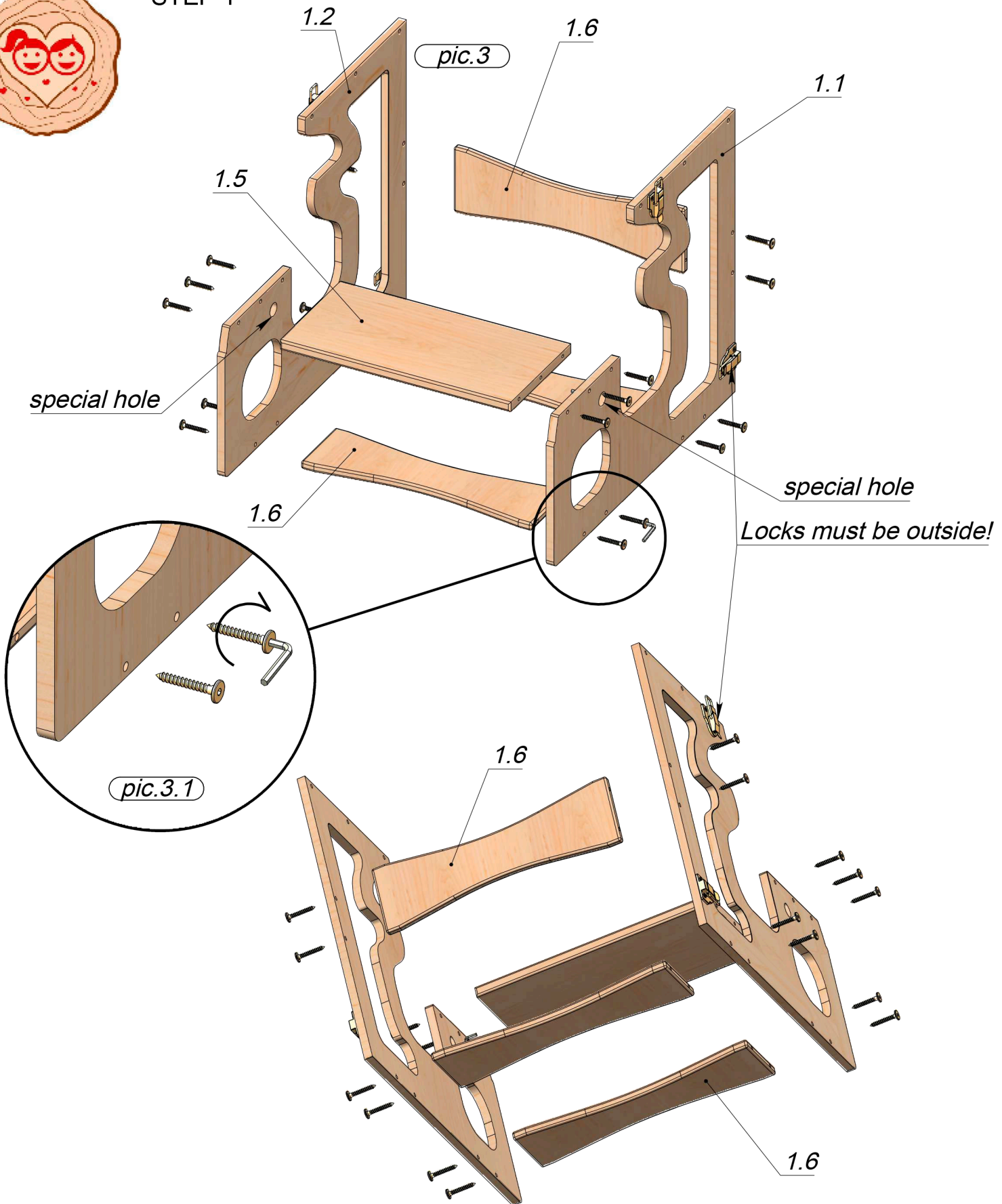


Video assembly here!  
Scan to watch

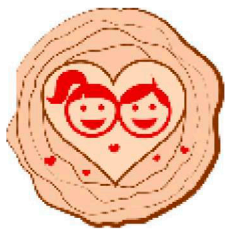
<p>1.1</p>  <p>Lower sidewall Right 1pc.</p>	<p>1.2</p>  <p>Lower sidewall Left 1pc.</p>	<p>1.3</p>  <p>Top sidewall Right 1pc.</p>	<p>1.4</p>  <p>Top sidewall Left 1pc.</p>
<p>1.5</p>  <p>Seat - 1pc.</p>	<p>1.6</p>  <p>Lintel - 4pcs.</p>	<p>1.7</p>  <p>Long Nog - 1pc</p>	<p>1.8</p>  <p>Short Nog - 1pc</p>
<p>1.9</p>  <p>Back - 1pc.</p>	<p>1.10</p>  <p>Bracket - 2pc.</p>	<p>1.11</p>  <p>Table-top 2 connected pcs</p>	<p>2.1</p>  <p>Flat head screw 40pcs (38pcs+2spare)</p>
<p>2.2</p>  <p>Screw (3,5x30 ) 8pcs (6pcs+2spare)</p>	<p>2.3</p>  <p>Shim - 2pcs. (1pc. spare)</p>	<p>2.4</p>  <p>4mm hex key - 1pc.</p>	<p>2.5</p>  <p>Screwdriver - 1pc.</p>



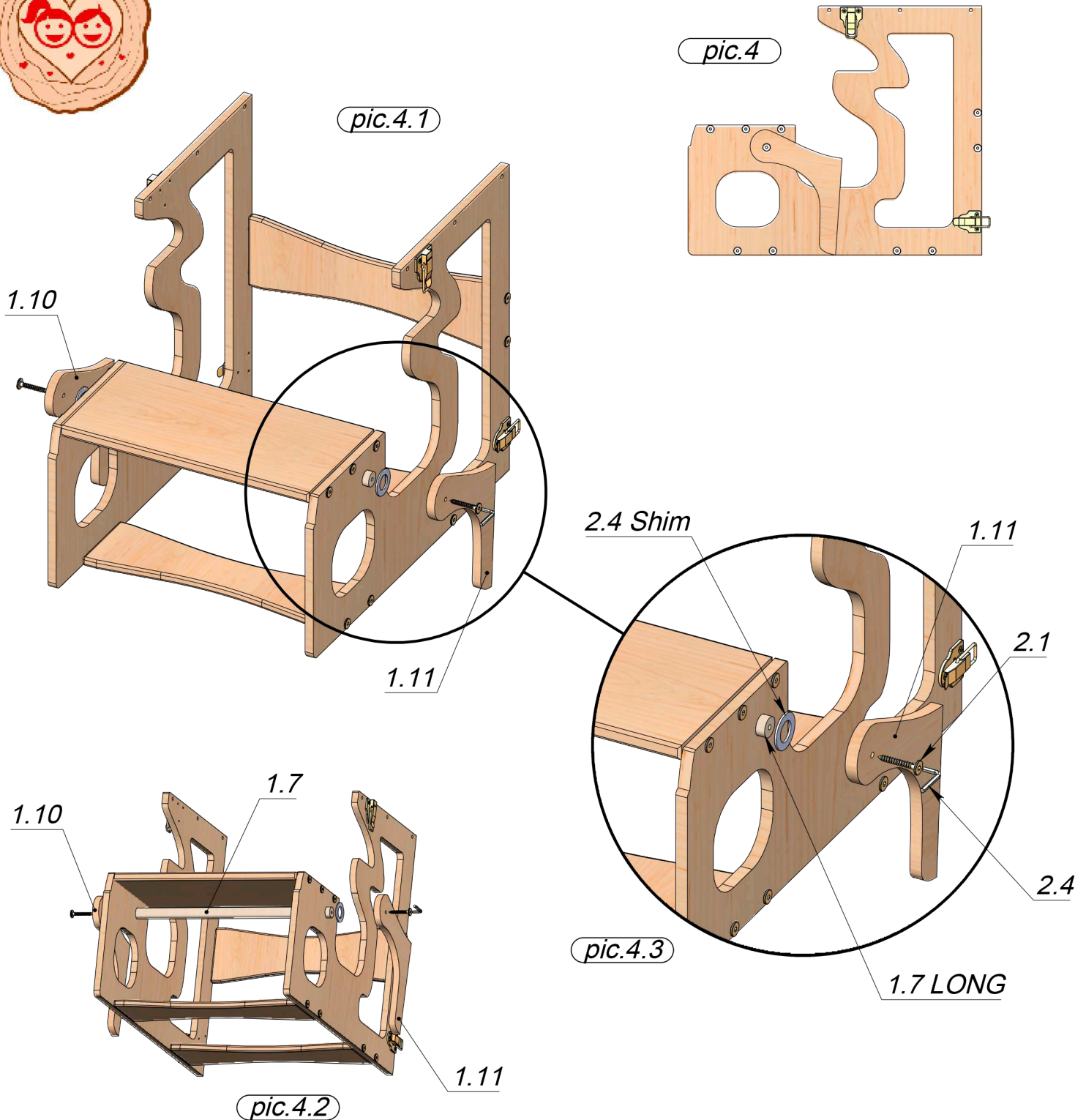
STEP 1



1. Take Lower sidewalls (locks to outer) , Seat (1.5),and a Lintel (3 pcs.). (page 2).
2. Fasten the parts with 2.1 screws as shown in picture 1 (pic.3.1) using the hex key 2.4.
3. Locks must be outside!



## STEP 2



1. Take details 1.7, 1.10, 2.3. (page 2).

2. Insert part 1.7 into a special hole (page 4). The part should protrude from both sides of the assembled structure. (pic.4.1, pic.4.2 and pic.4.3).

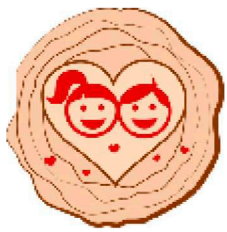
3. Set the parts 1.7 and 1.10 in position as shown on pic. 4.

4. On both sides, part 2.3 is put on part 1.7. (pic.4.3).

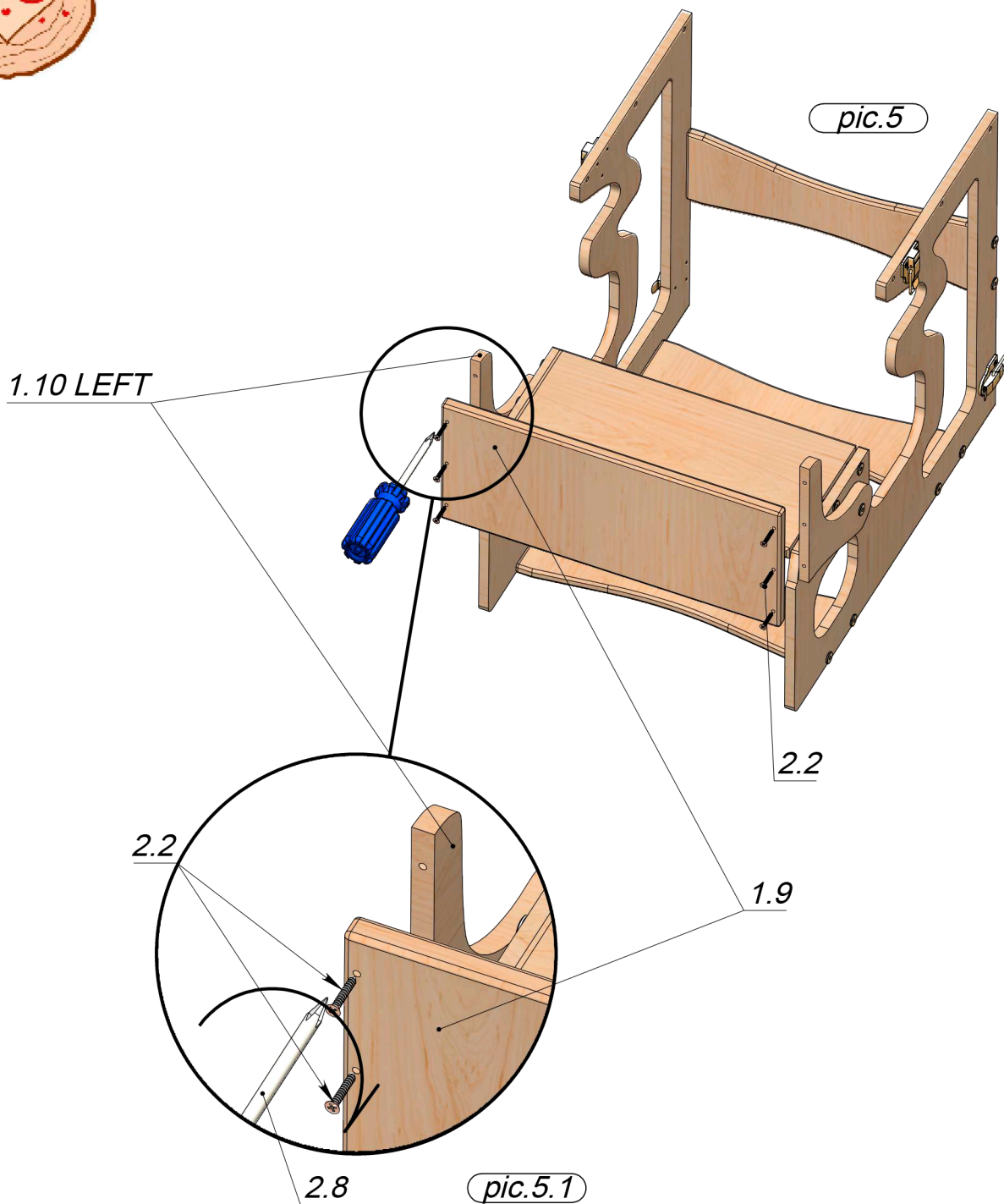
5. Screw the parts 1.10 to the part 1.7 using screws 2.1 and hex key 2.4.

**Note:** if you find the backrest to fall down easily, use the spare shims (2.3) as additional ones.



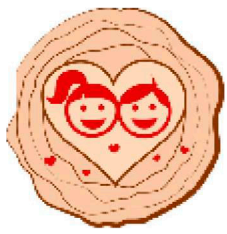


### STEP 3

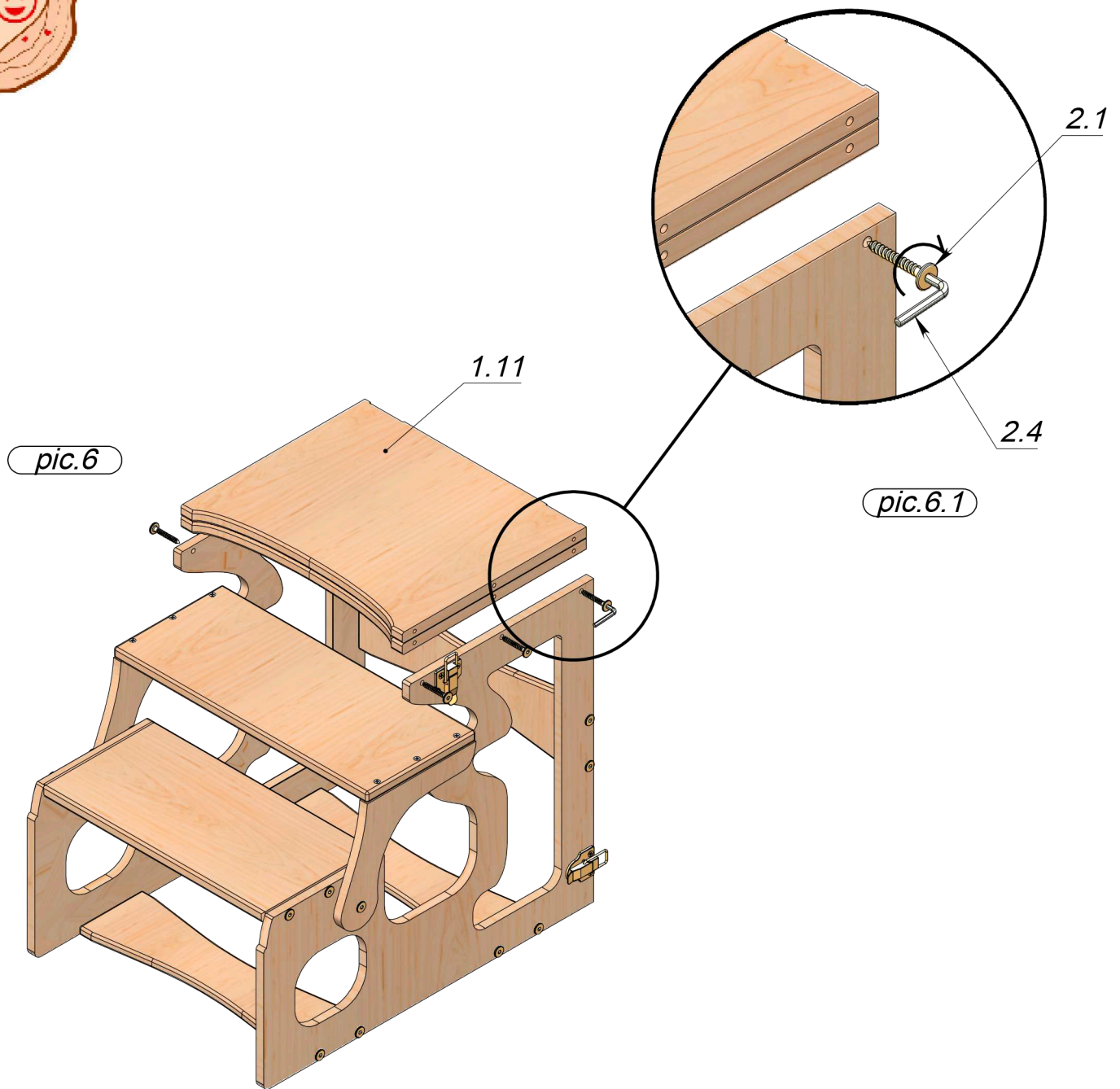


1. Take details 1.9, 2.2 (page 2).

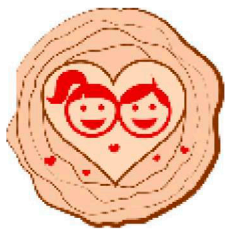
2. Screw part 1.9 to the parts 1.10 using screws 2.2 and screwdriver 2.5. (pic 5.1).



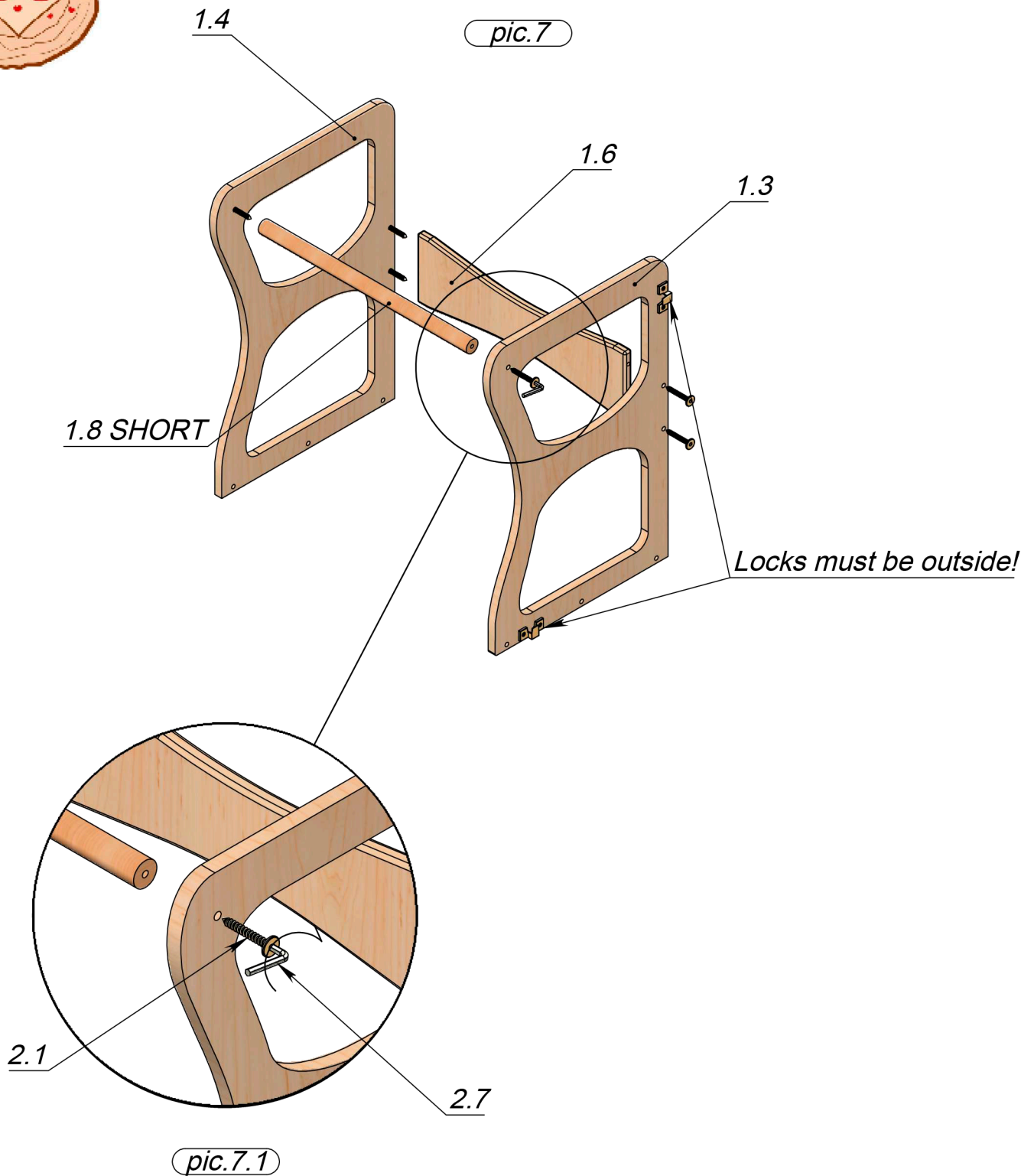
## STEP 4



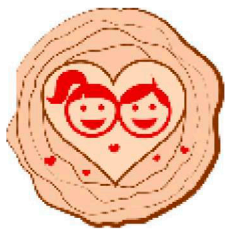
1. Take detail 1.11 (page 2).
2. Fold the part 1.11. and screw to the assembled structure (pic.6 and pic.6.1).



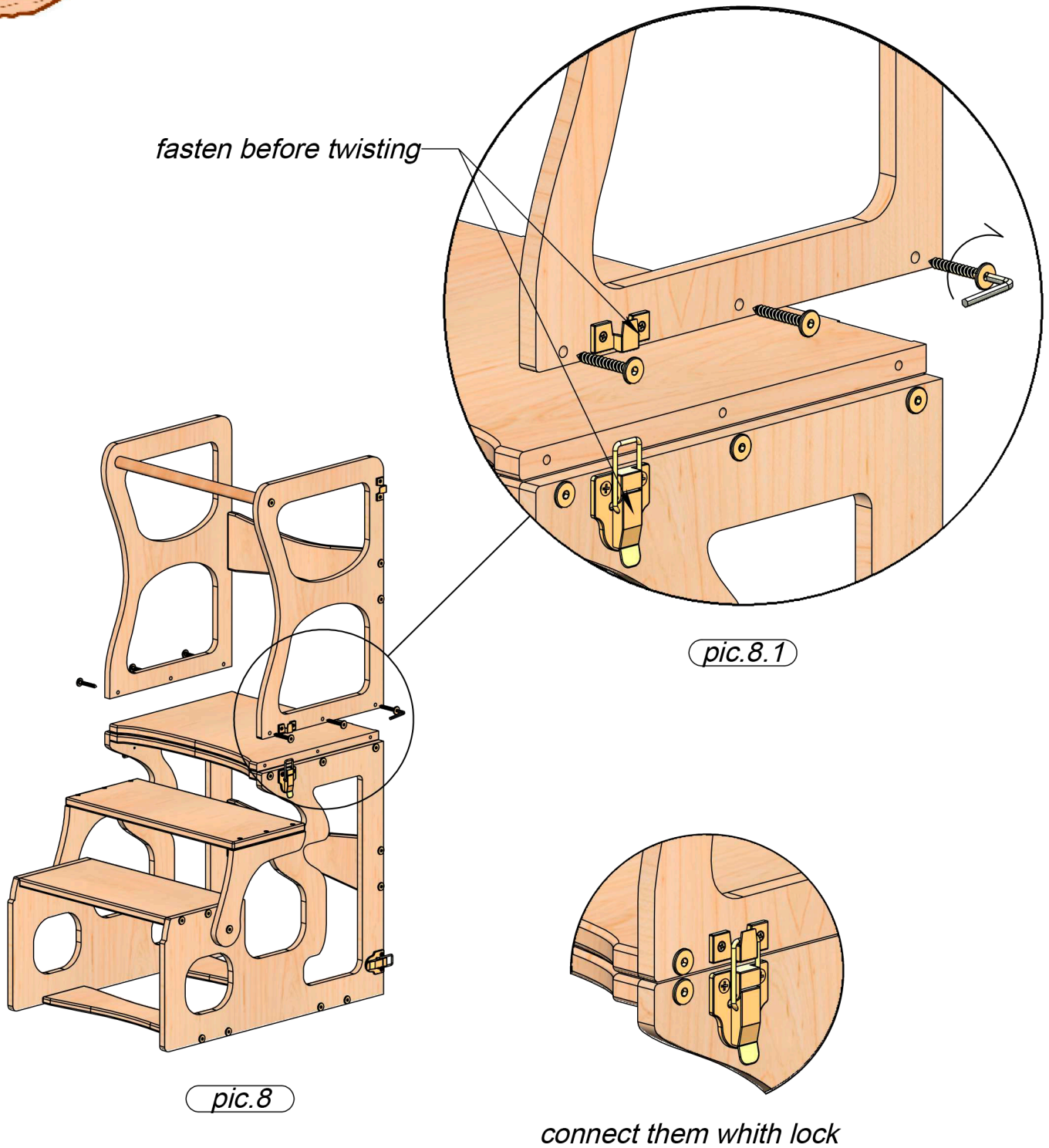
## STEP 5



1. Take Top sidewalls (1.3; 1.4), Lintel (1.6), Short nog (1.8) (page 2).
2. Fasten the parts with 2.1 screws as shown in picture 1 (pic.7 and 7.1) using the hex key 2.7.
3. Locks must be outside!



## STEP 6



1. We put two assembled elements as shown in the picture 8, and connect them with lock.
2. Fasten the parts with 2.1 screws as shown in picture.8.1 using the hex key 2.4.