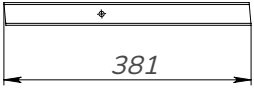
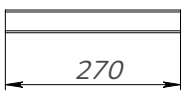

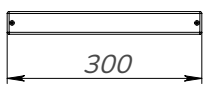
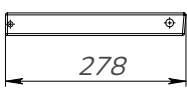

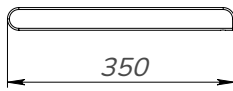

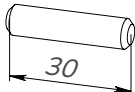



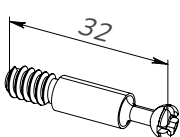
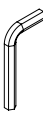



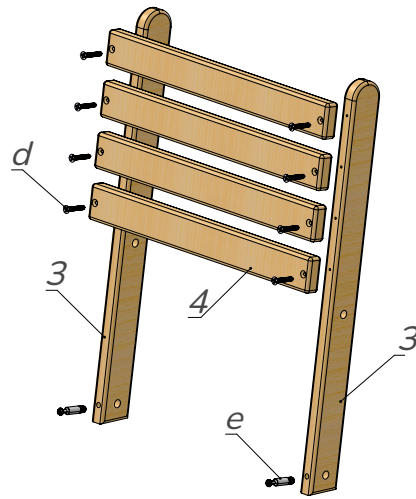
Chair



ASSEMBLY DETAILS

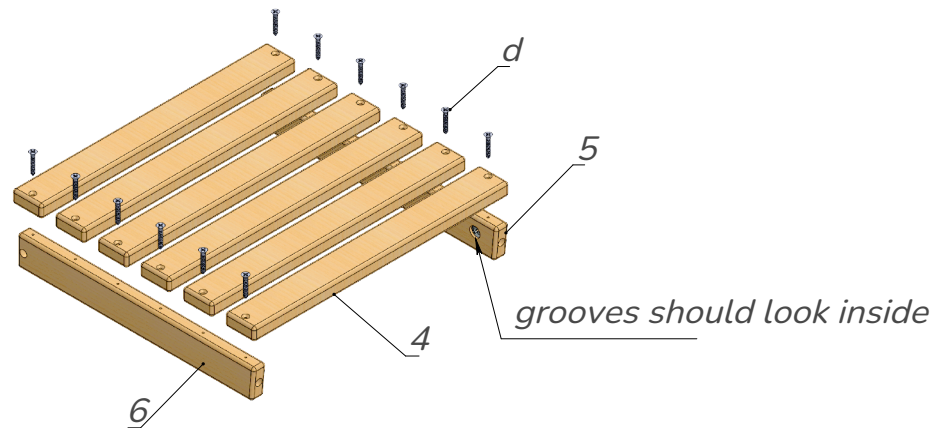
<p>1 - Leg</p>  <p>4 pcs.</p>	<p>2 - Lintel</p>  <p>2 pcs.</p>	<p>3 - Back stand</p>  <p>2 pcs.</p>	<p>4 - Plank</p>  <p>10 pcs.</p>
<p>5 - Left lintel</p>  <p>1 pc.</p>	<p>6 - Right lintel</p>  <p>1 pc.</p>	<p>7 - Left armrest</p>  <p>1 pc.</p>	<p>8 - Right armrest</p>  <p>1 pc.</p>
<p>a - Wooden dowel M8x30</p>  <p>4 pcs.</p>	<p>b - Screw M6x60</p>  <p>4 pcs.</p>	<p>c - Screw M6x35</p>  <p>2 pcs.</p>	<p>d - Self-tapping screw 3.5x25</p>  <p>20 pcs.</p>
<p>e - Minifix dowel 32 mm</p>  <p>2 pcs.</p>	<p>f - Hex key 4 mm</p>  <p>1 pc.</p>	<p>g - Screwdriver</p>  <p>1 pc.</p>	

*eccentric fasteners preinstalled



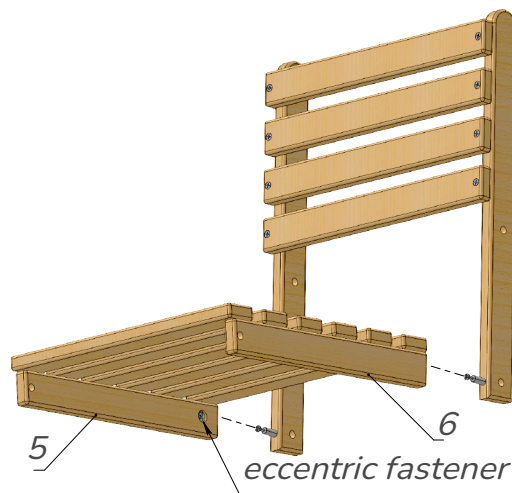
Pic. 1

Screw the planks (4) to the back stands (3) into the guide grooves using the screws (d) and a screwdriver (g). Also screw the minifix dowel (e) into the back stands (3) using the screwdriver (g). See Pic. 1.



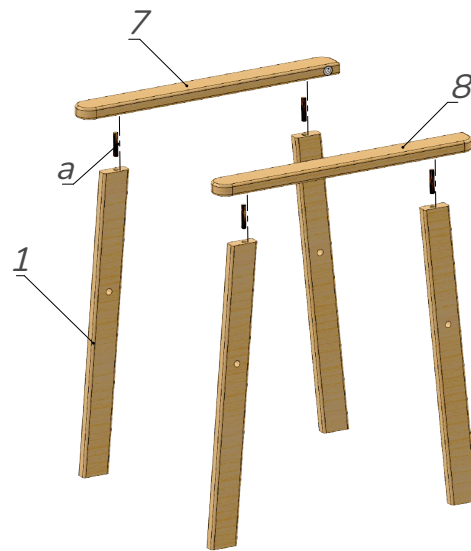
Pic. 2

Similarly screw the planks (4) to the left and right rails (5, 6) using the self-tapping screws (d) and a screwdriver (g). See Pic. 2.



Pic. 3

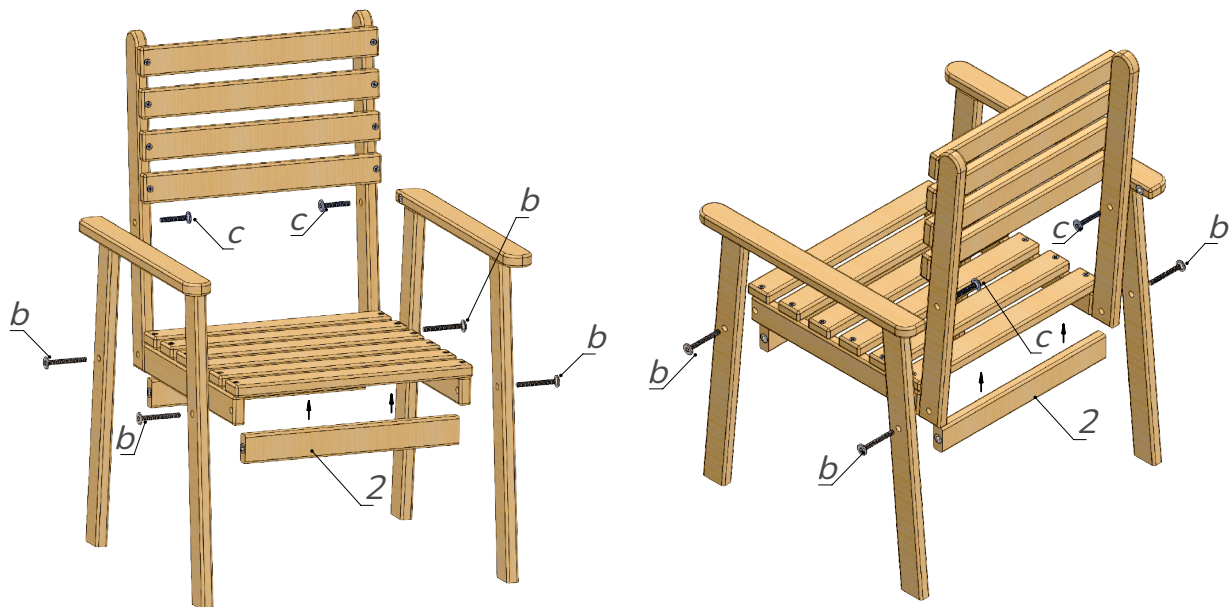
Connect together the previously assembled constructions. Close the eccentric fasteners on rails (5) and (6) rotating them 180° using the screwdriver (g). See Pic. 3



Pic. 4

Connect the left armrest (7) to the legs (1) using the wooden dowels (a).
See Pic. 4.

Do the same with the right armrest (8).



Pic. 5

Connect the previously assembled constructions, install the lintels (2) and holding it with hand fix the first handrail with the screws (b) and (c) using the hex key (f). Do the same with the second handrail. See Pic. 5.



Use only for its intended purpose, indoors, under the direct supervision of adults.
Responsibility for any damage incurred by children during play on the furniture rests with the supervising adults.

Always be vigilant during children's play.