

SMALL TRIANGLE ASSEMBLED



ASSEMBLY PARTS

<p>1.1</p> <p>671</p> <p><i>Long Sidewall (2pcs)</i></p>	<p>1.2</p> <p>591</p> <p><i>Short Sidewall (2pcs)</i></p>		
<p>1.3</p> <p><i>Long nog ϕ 30 mm (11pcs)</i></p>	<p>1.4</p> <p><i>Left connector (1pc)</i></p>	<p>1.5</p> <p><i>Right connector (1pc)</i></p>	<p>1.6</p> <p><i>Level controler (2pcs)</i></p>
<p>2.1</p> <p><i>Flat head 35mm screw (20pcs - 2pcs spare)</i></p>	<p>2.2</p> <p><i>Round head screw (2pcs - 1pc spare)</i></p>	<p>2.3</p> <p><i>4mm hex key (1pc)</i></p>	<p>2.4</p> <p><i>5mm hex key (1pc)</i></p>

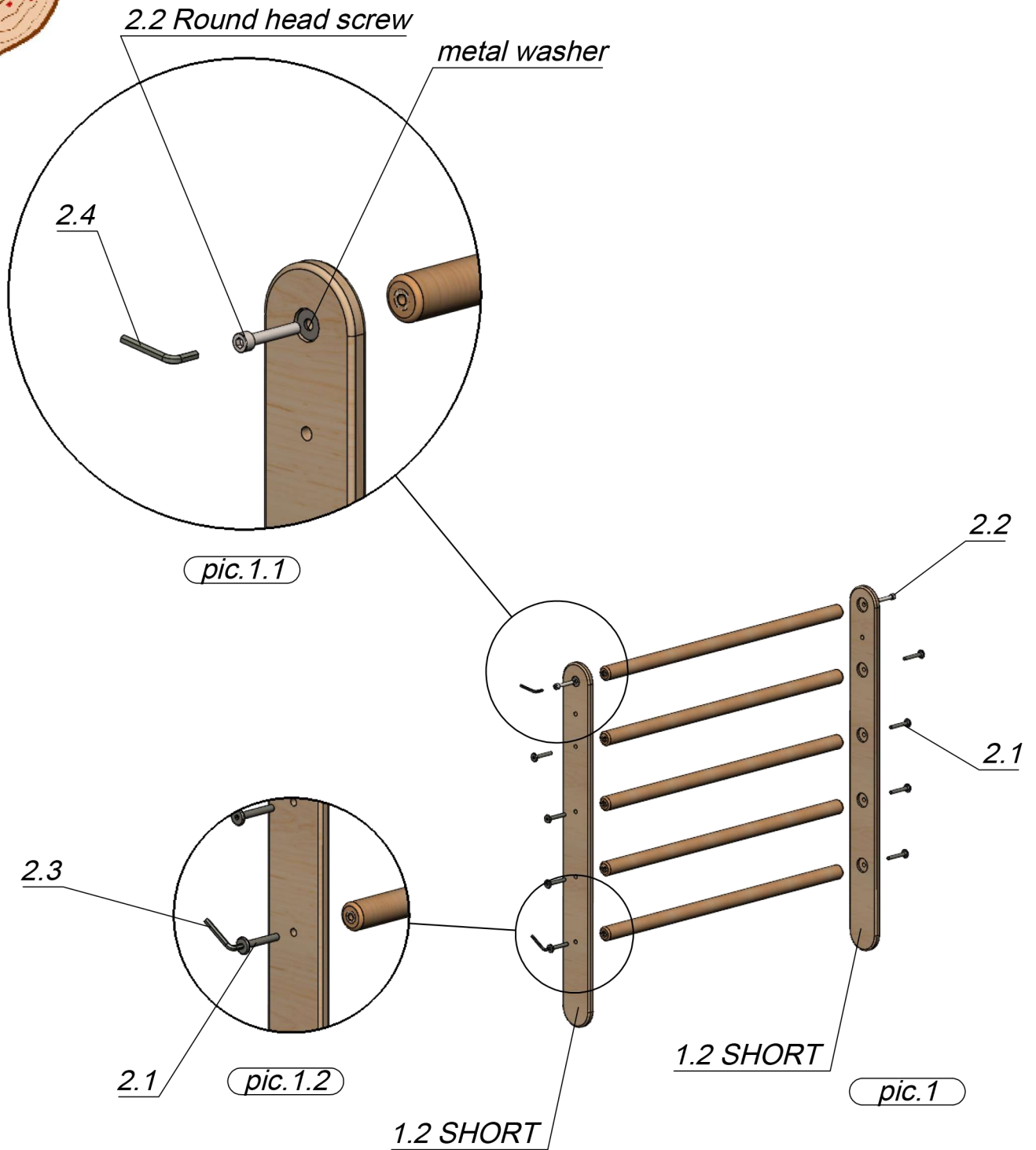
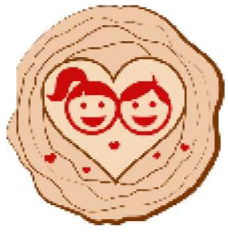


Video assembly here*.
Scan to watch!

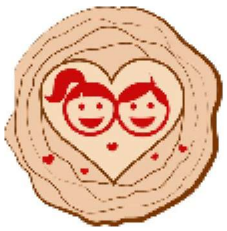
To be used under the direct supervision of an adult only.
Always be vigilant during children's games

*Peculiarities of a product in video may differ from the actual product.
This instruction has the most relevant information.

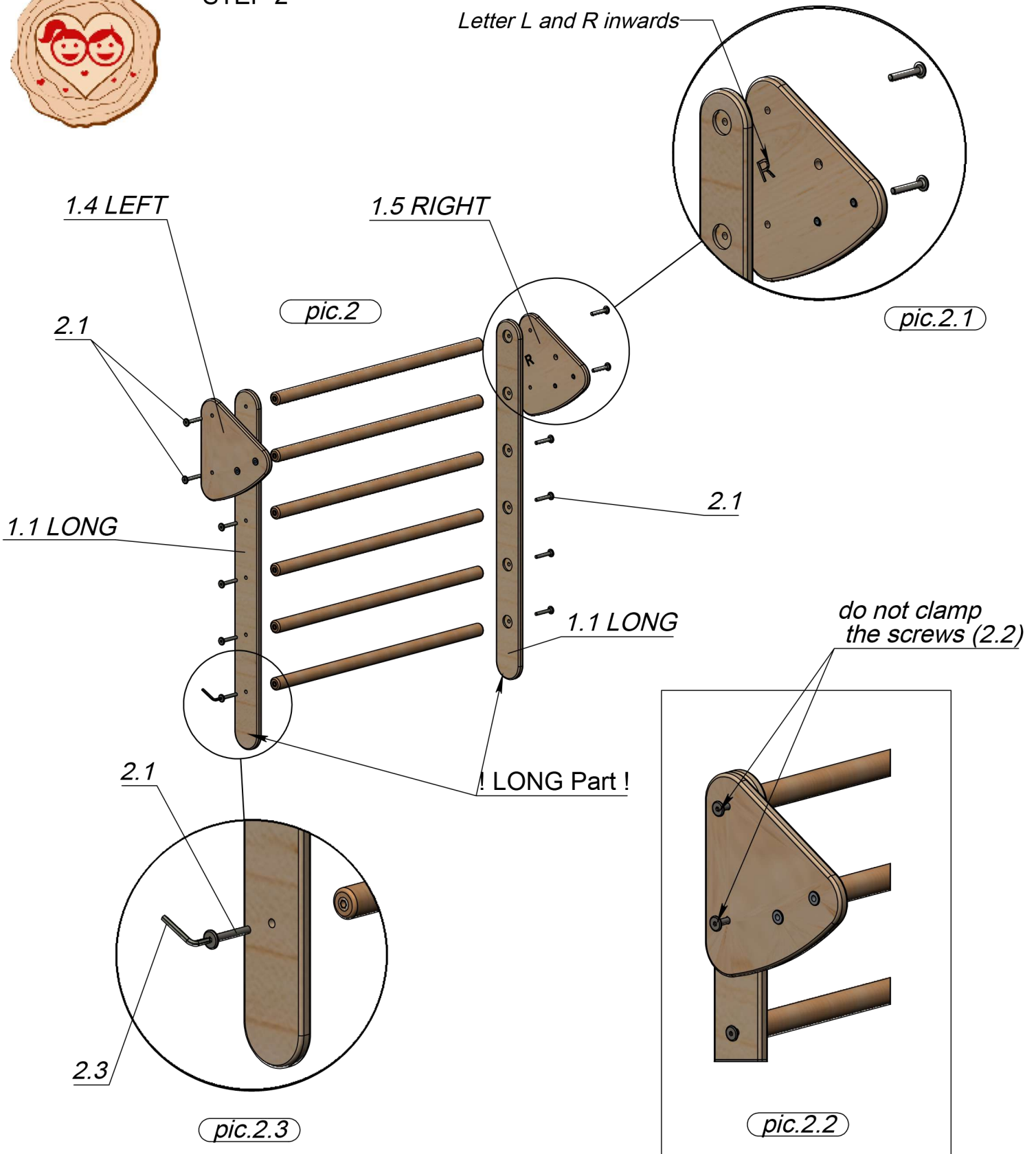
STEP 1



1. Take the Short sidewall (1.2). There are 5 holes for rods in the Short sidewall.
2. Put the round head screw (2.2) into the hole with the metal washer (see pic.1.1) and screw it into the long nog (1.3).
3. Screw 5 flat head screws (2.1; see pic.1.2) into the long nogs (1.3) through the short sidewall.



STEP 2



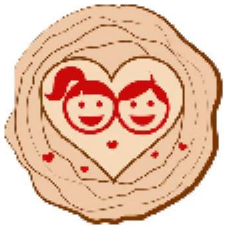
1. Take the Long Sidewall (1.1), Long nog (1.3), Left connector (1.4), and Right connector (1.5).

2. Fasten parts 1.4 and 1.5 with screws (2.1).

Letters on the Connectors 1.4 and 1.5 should look inwards, as shown in the picture (see pic.2.1).

Do not tighten the screws 2.1 on the connectors (see pic.2.2).

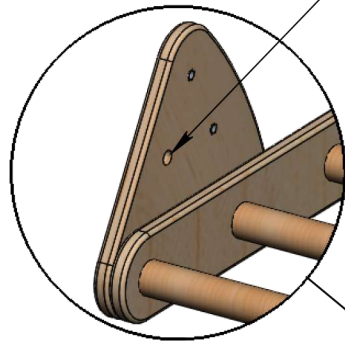
3. Fasten the rest of the 1.3 using the screws (2.1).



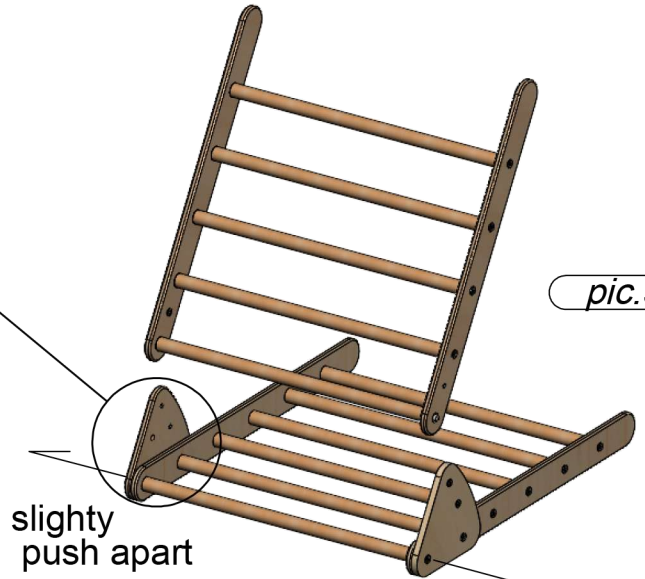
STEP 3

pic.3.1

special hole



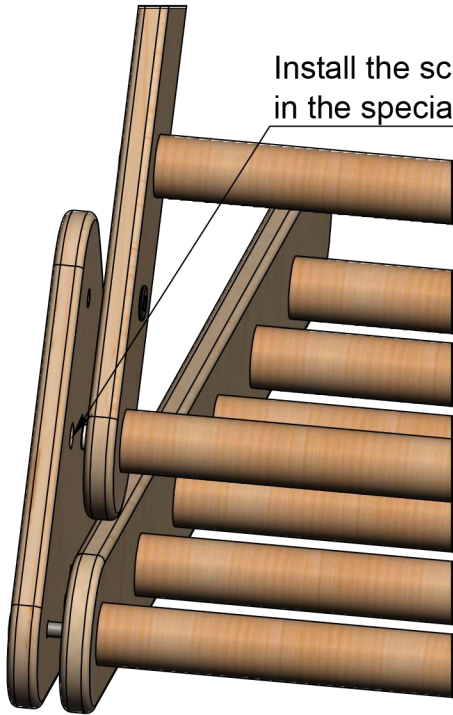
pic.3



Install the screw head
in the special hole

slightly
push apart

slightly
push apart



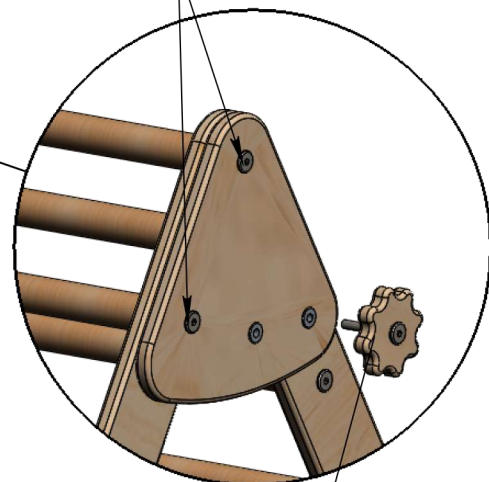
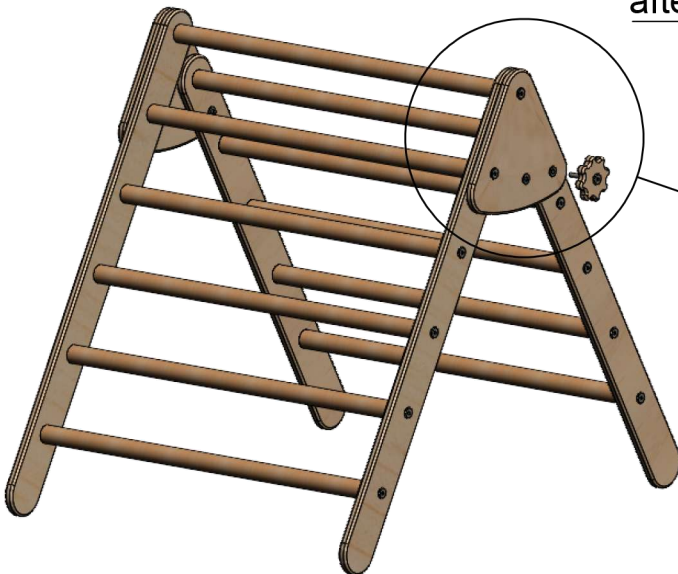
pic.3.2

1. Put the short assembled ladder (with a protruding screw) on the large assembled ladder.
2. Insert the protruding heads of the screws 2.1 (look at the page #1) into the special holes(see pic.3.1 and pic.3.2). You can use level regulator, insert it into the short leg with metal thread through the connector and tighten it. The protruding screw head will easily go into special hole.
3. Tighten all the screws.

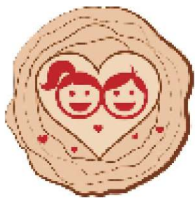
STEP 4

Use level controller 1.6 to change the position of the triangle

tighten the screws
after assembly



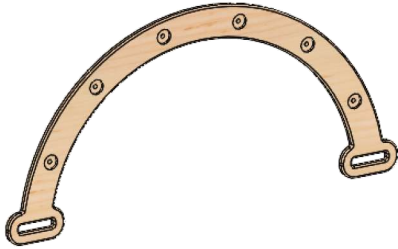
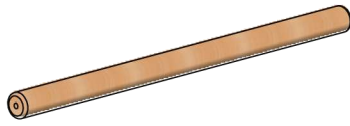


1.6 (look at the page #1)



SMALL ARCH ASSEMBLED



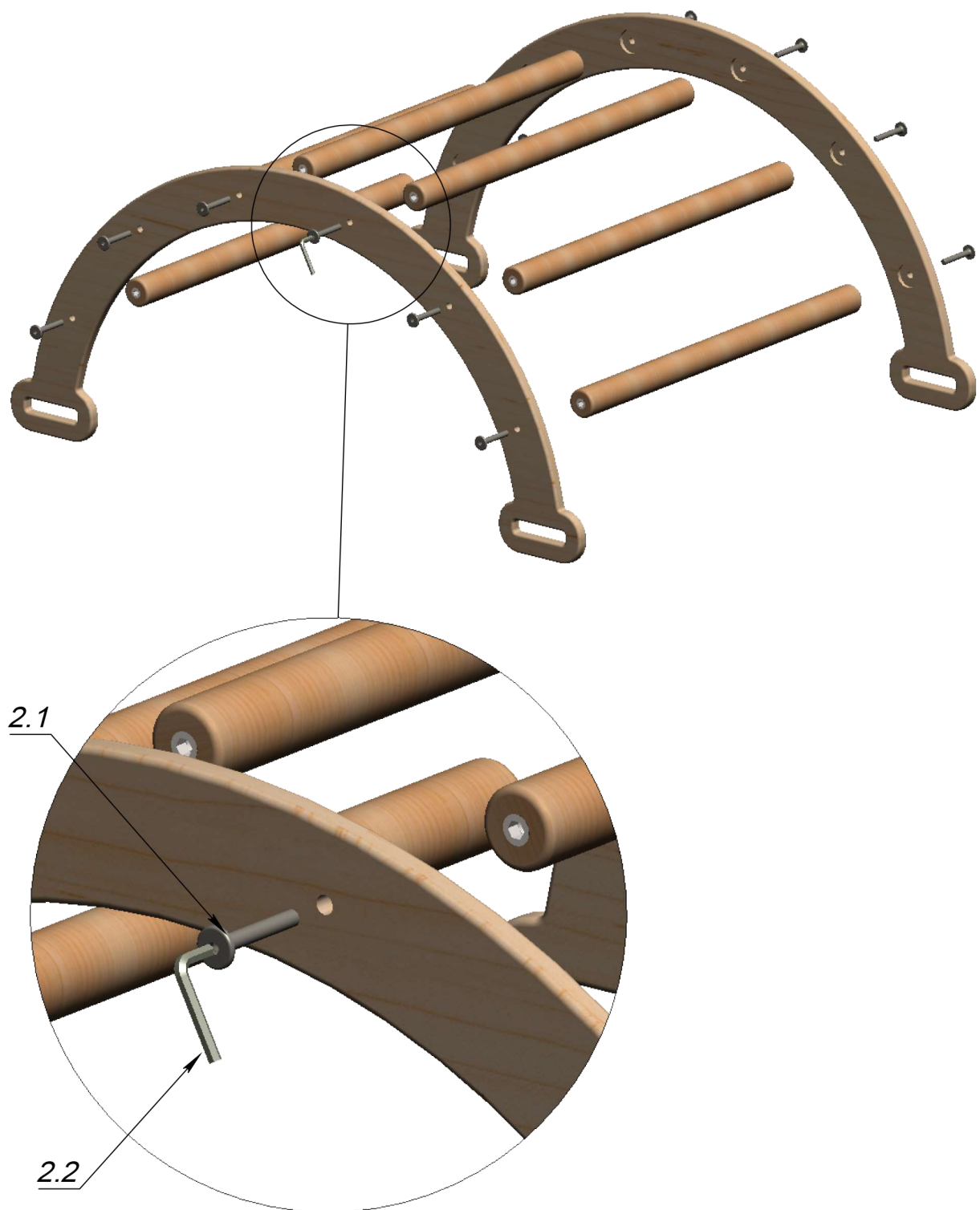
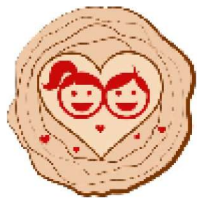
ASSEMBLY PARTS

<p>1.1</p>  <p><i>Arch Sidewall (2pcs)</i></p>	<p>1.2</p>  <p><i>Short nog ϕ 30 mm (6pcs)</i></p>
<p>2.1</p>  <p>Flat head 35mm screw (12pcs + 2pcs spare)</p>	<p>2.2</p>  <p><i>4mm hex key (1pc)</i></p>

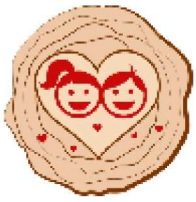


Video assembly here*
Scan to watch!

*Peculiarities of a product in video may differ from the actual product.
This instruction has the most relevant information.



Screw two parts 1.1(p.1) to parts 1.2(p.1) with screws 2.1(p.1) using a Hex key 2.2(p.1)



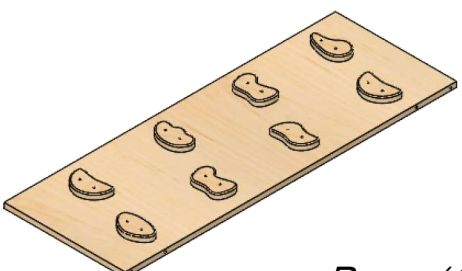

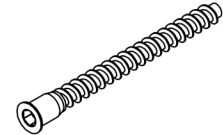

STANDARD RAMP ASSEMBLED

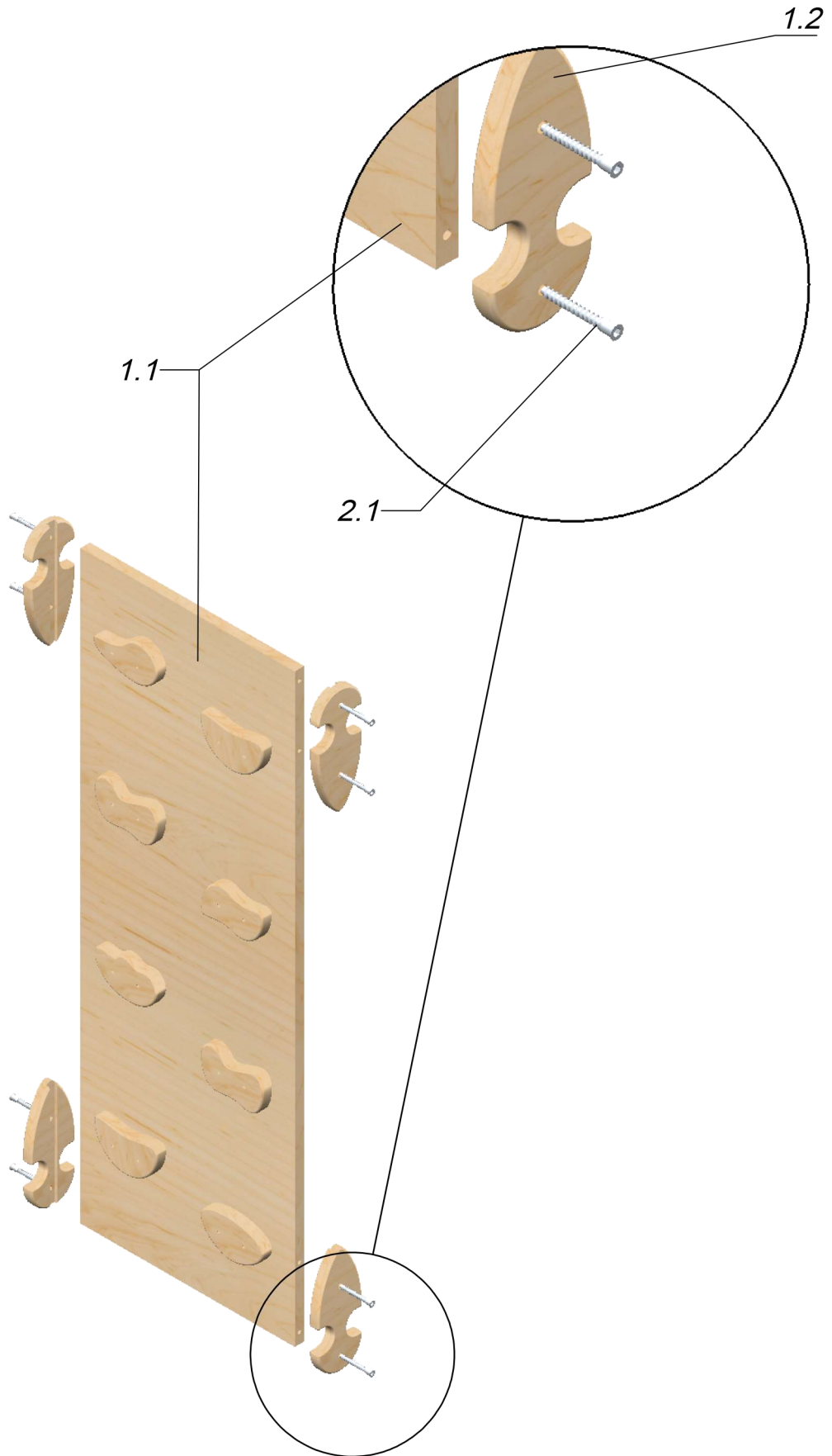


Video assembly here!



ASSEMBLY PARTS

<p>1.1</p>  <p><i>Ramp (1pc)</i></p>	<p>1.2</p>  <p><i>Hook (4pcs)</i></p>
<p>2.1</p>  <p><i>Confirmat screw (8pcs - 2pcs spare)</i></p>	<p>2.2</p>  <p><i>3mm hex key (1pc)</i></p>



Screw the hooks (1.2) to the Ramp (1.1) with the confirmat screws (2.1).
Tighten with the 3mm hex key (2.2).