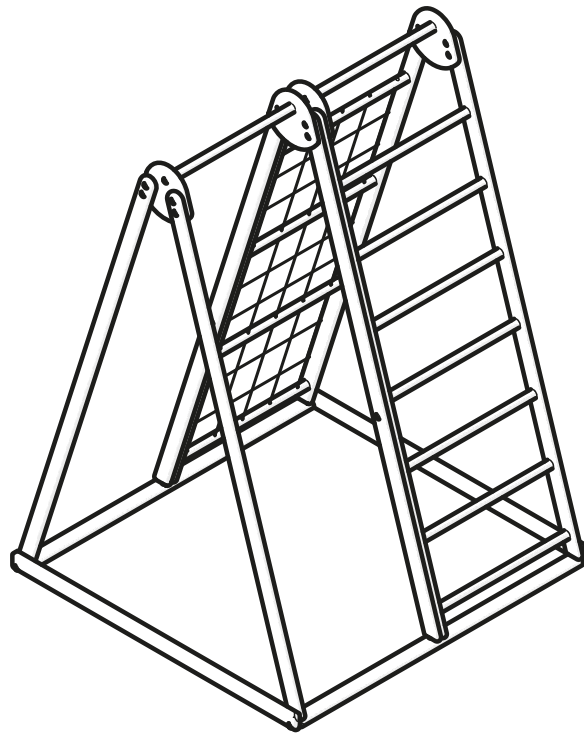
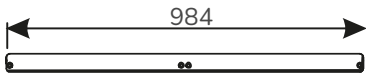
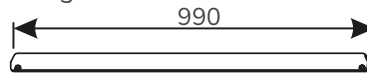
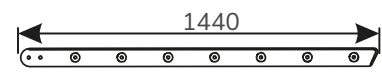
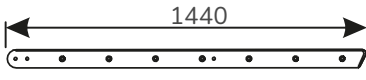
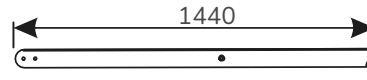
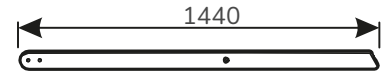
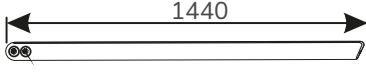
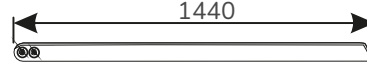
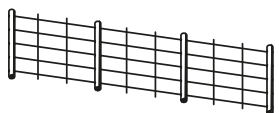
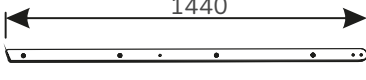
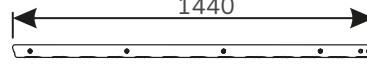
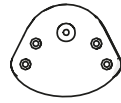
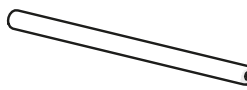
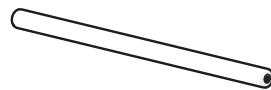

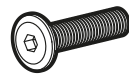
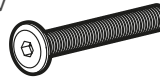



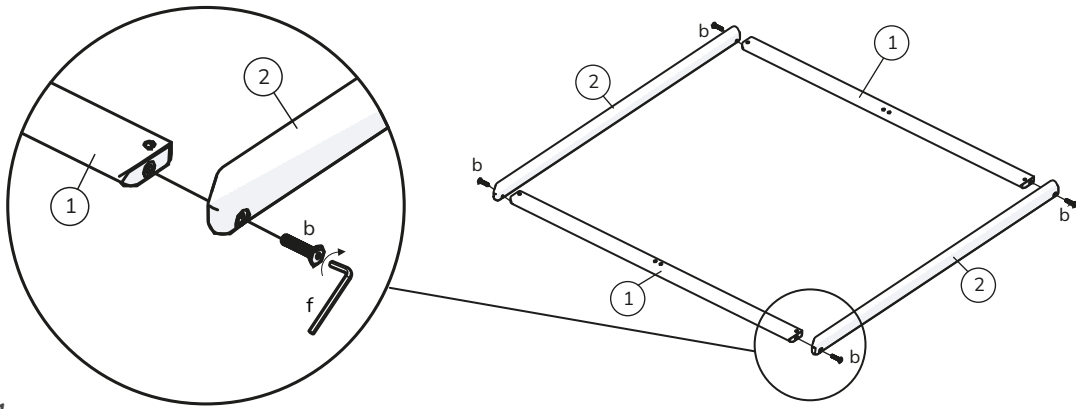


# Large Triangle



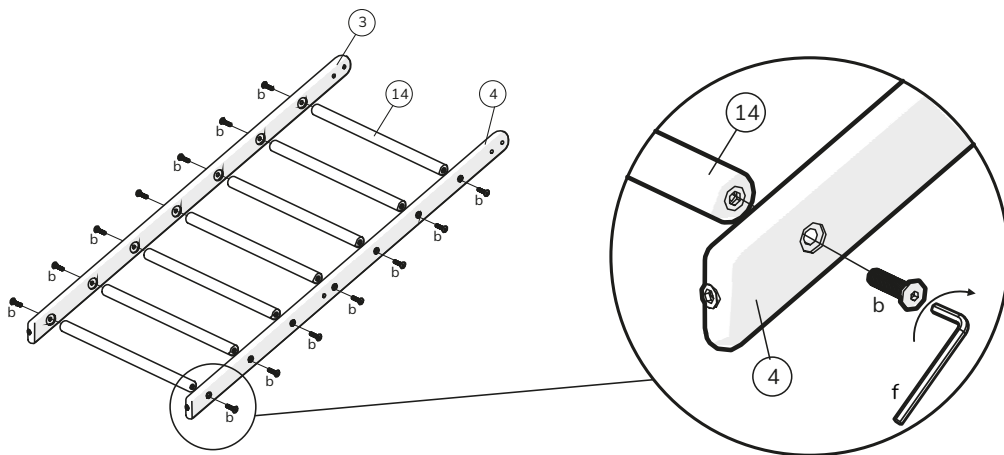
## ASSEMBLY DETAILS

<p>1 - Front/Back base</p>  <p>2 pcs.</p>	<p>2 - Left/Right base</p>  <p>2 pcs.</p>	<p>3 - Ladder with many steps side 1</p>  <p>1 pc.</p>		
<p>4 - Ladder with many steps side 2</p>  <p>1 pc.</p>	<p>5 - Middle side 1</p>  <p>1 pc.</p>	<p>6 - Middle side 2</p>  <p>1 pc.</p>		
<p>7 - Corner stand 1</p>  <p>1 pc.</p>	<p>8 - Corner stand 2</p>  <p>1 pc.</p>	<p>9 - Rope ladder</p>  <p>1 pc.</p>		
<p>10 - Ladder with Rope 1</p>  <p>1 pc.</p>	<p>11 - Ladder with Rope 2</p>  <p>1 pc.</p>	<p>12 - Connector</p>  <p>4 pcs.</p>		
<p>13 - Short nog</p>  <p>2 pcs.</p>	<p>14 - Long nog</p>  <p>7 pcs.</p>	<p>a - Flat head 20 mm screw</p>  <p>12 pcs. - 2 pcs. spare</p>		
<p>b - Flat head 35 mm screw</p>  <p>34 pcs. - 5 pcs. spare</p>	<p>c - Flat head 50 mm screw</p>  <p>4 pcs. - 1 pc. spare</p>	<p>d - Flat head 30 mm screw</p>  <p>2 pcs. - 1 pcs. spare</p>	<p>e - Flat head 17 mm dull nut</p>  <p>18 pcs. - 2 pcs. spare</p>	<p>f - 4 mm hex key</p>  <p>2 pcs.</p>



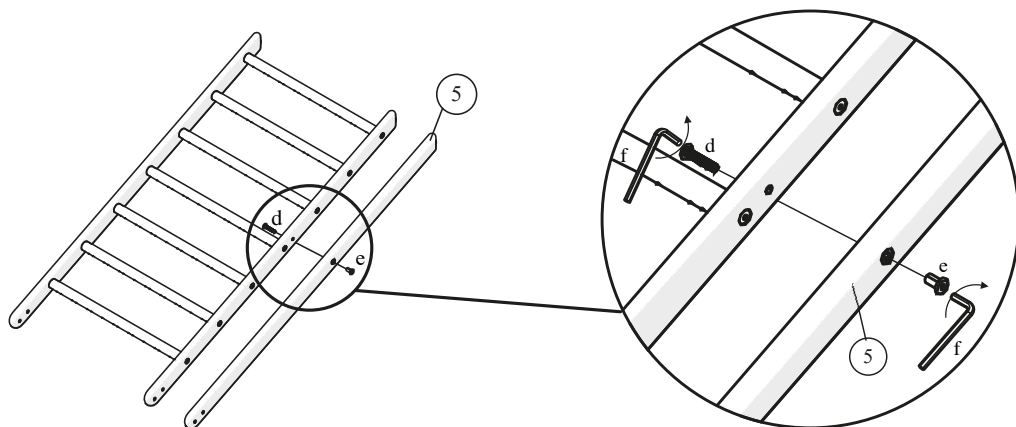
Pic. 1

Lay the Bases (1 and 2) on the floor as shown in the Pic. 1. Mark the position of holes in the middle. Round grooves in the Left/Right (2) bases should look outside. Screw the parts 1 and 2 with screws (b), using hex key (f).



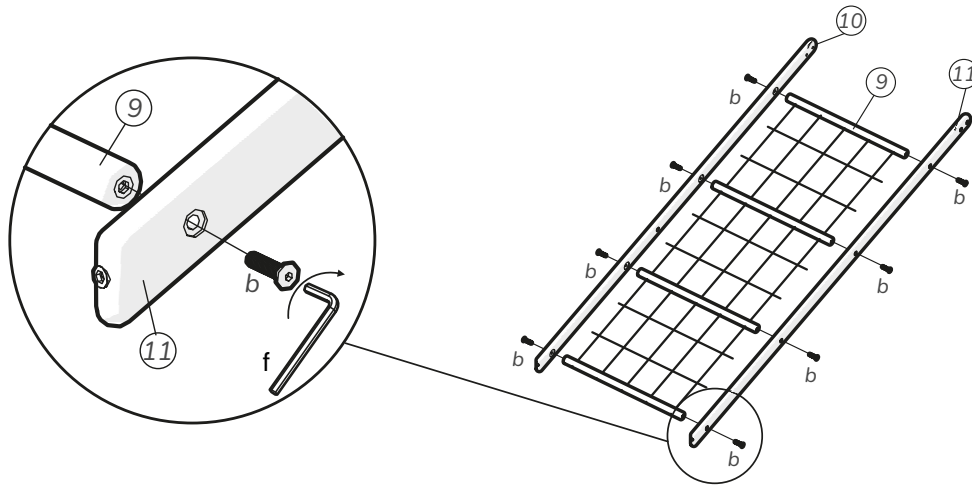
Pic. 2

Assemble the Ladder with many steps as shown in the Pic. 2. Take the sides of the Ladder (3, 4) and 7 long nogs (14). Screw the parts together with screws (b), using hex key (f).



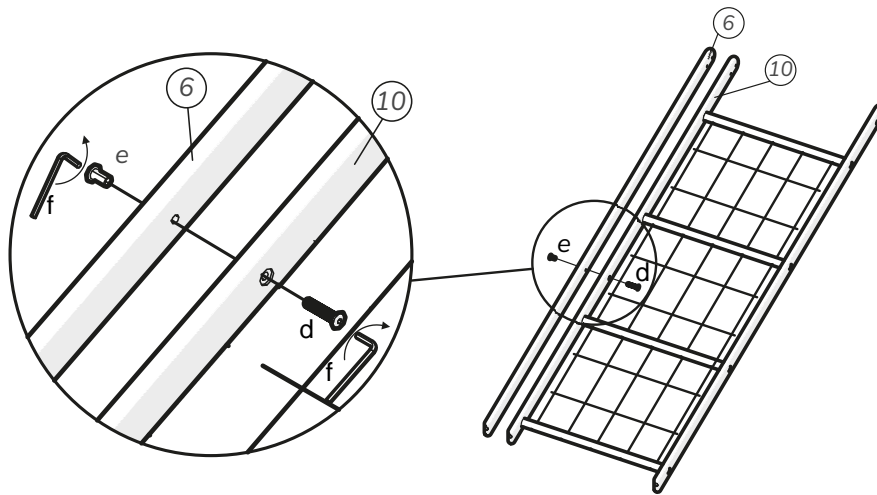
Pic. 3

Assemble the Ladder with many steps and Middle side 1 (5) as shown in the Pic. 3. Screw the parts together with screws (d), nuts (e) and both hex keys (f).



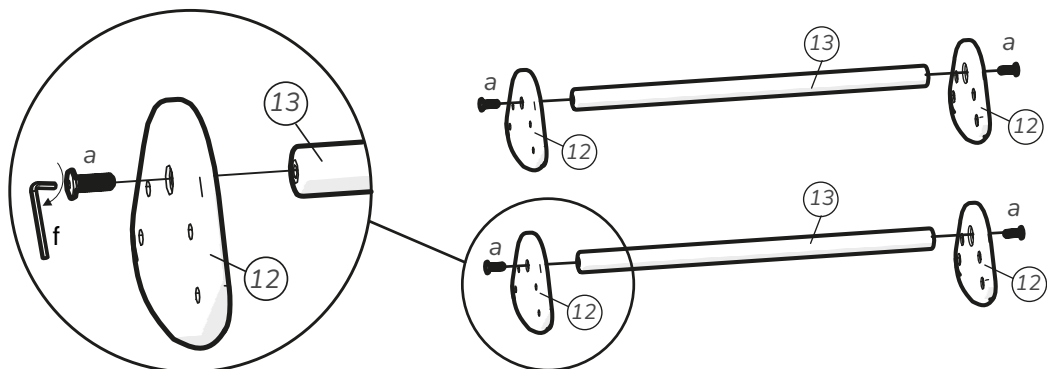
Pic. 4

Assemble the Ladder with many steps as shown in the Pic. 4. Take the sides of the Ladder (10, 11) and Rope ladder (9). Screw the parts together with screws (b), using hex key (f).



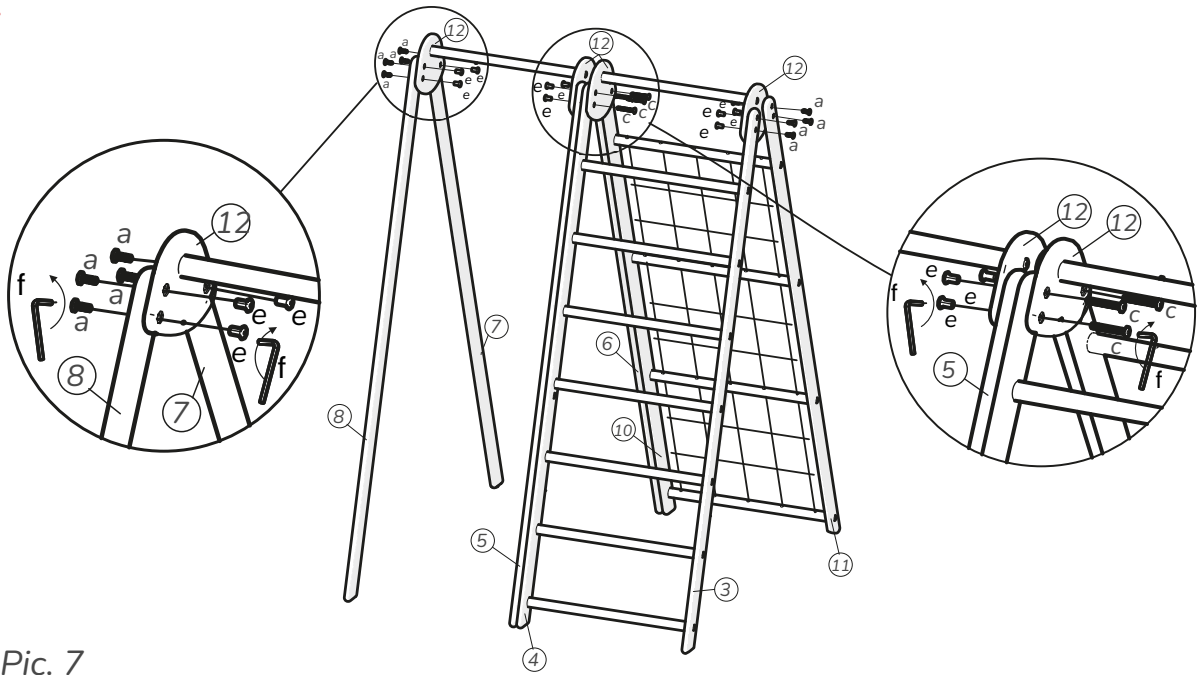
Pic. 5

Assemble the Rope ladder and Middle side 2 (6) as shown in the Pic. 5. Screw the parts together with screws (d), nuts (e) and both hex keys (f).



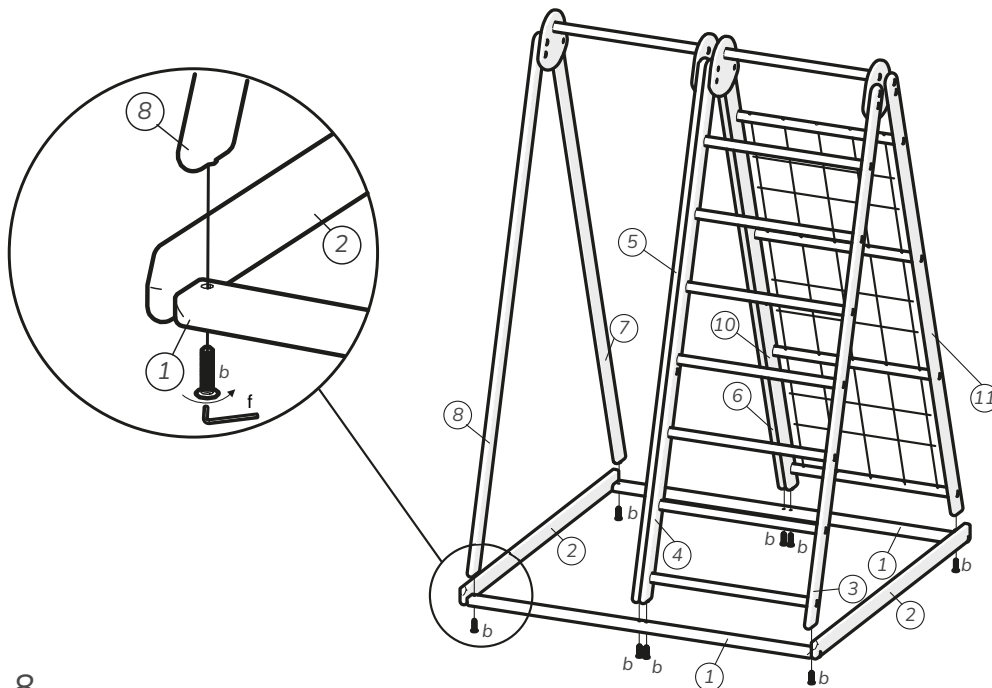
Pic. 6

Assemble the Connector (12) and Short nog (13) as shown in the Pic. 6. Screw the parts together with screws (a), using hex key (f).



Pic. 7

Assemble the parts together as shown in the Pic. 7 .Screw the parts together with screws (a), (c), nuts (e) and both hex keys (f).



Pic. 8

Assemble the parts together as shown in the Pic. 8. Screw the parts together with screws (b) and hex key (f).



To be used for its intended purpose only and under the direct supervision of an adult!  
All the responsibility for children's injuries received during games on the furniture lies on adults watching after them.

Always be vigilant during children's games!