

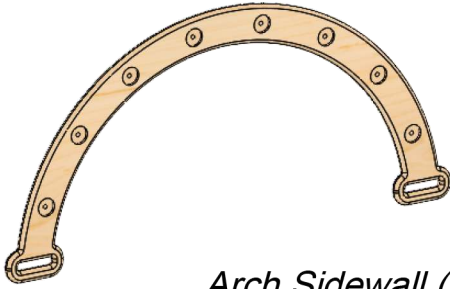

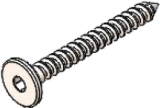

STANDARD ARCH ASSEMBLED

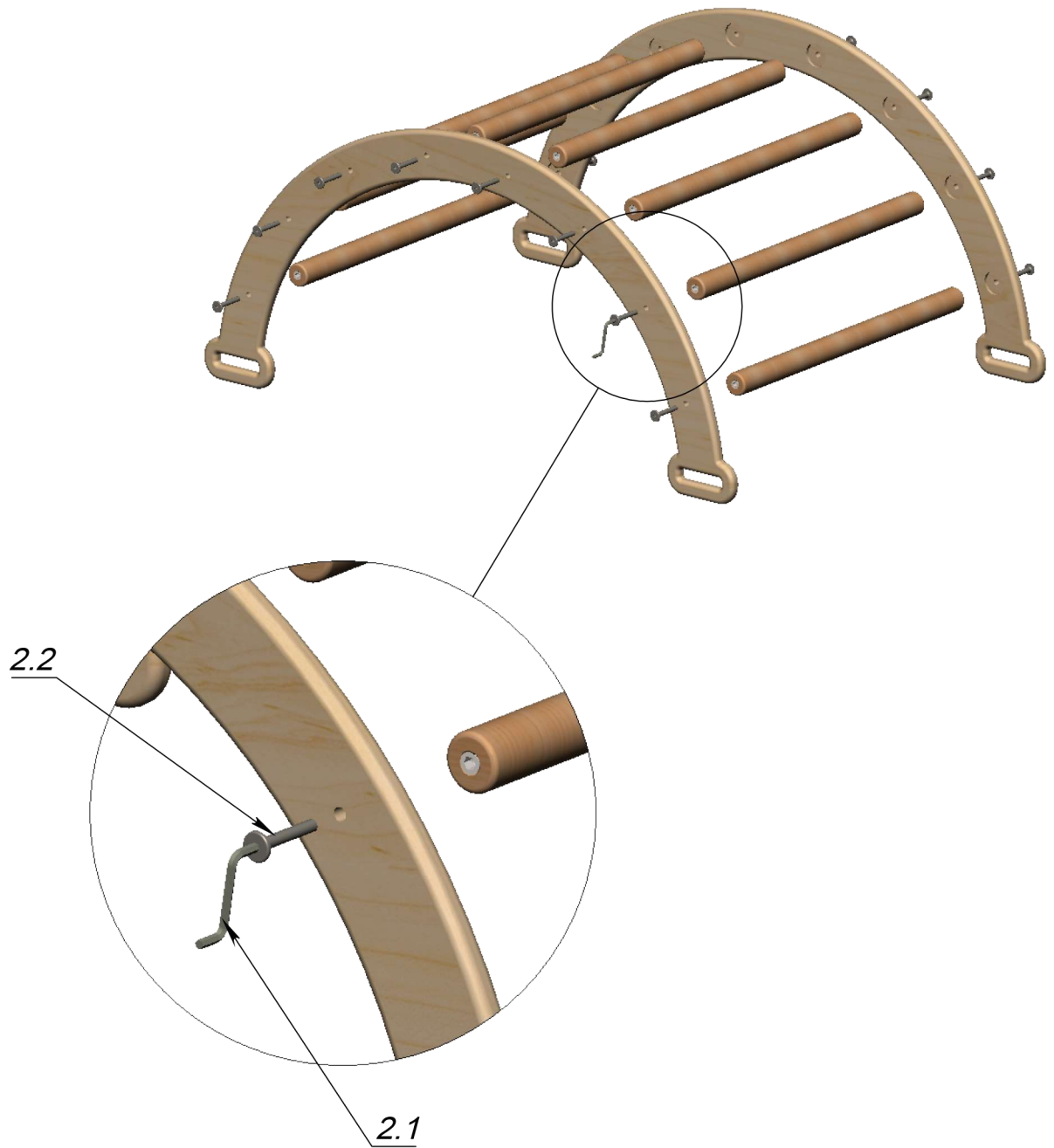


Video assembly here!



ASSEMBLY PARTS

<p>1.1</p>  <p>Arch Sidewall (2pcs)</p>	<p>1.2</p>  <p>Short nog (8pcs)</p>
<p>2.1</p>  <p>Flat head 40mm screw (16pcs 2pcs spare)</p>	<p>2.2</p>  <p>4mm hex key (1pc)</p>



Screw two parts 1.1(p.1) to parts 1.2(p.1) with screws 2.1(p.1) using a Hex key 2.2(p.1)