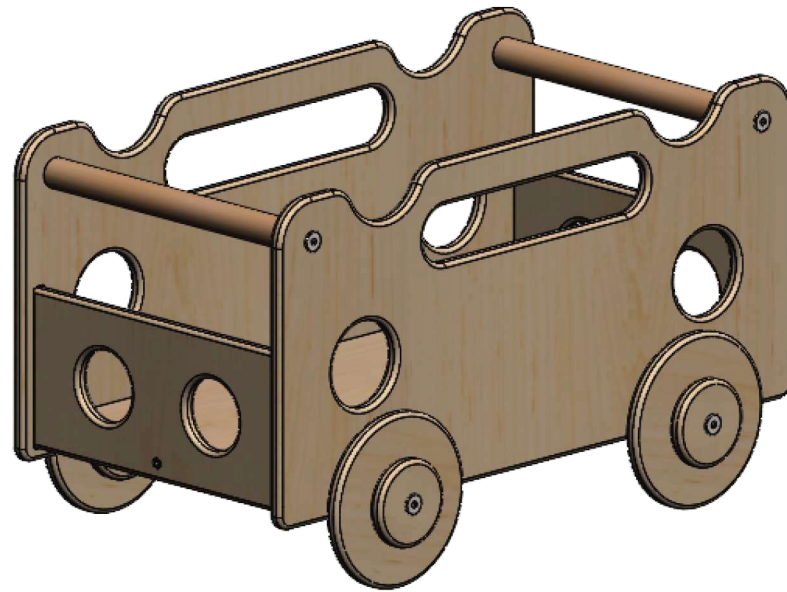


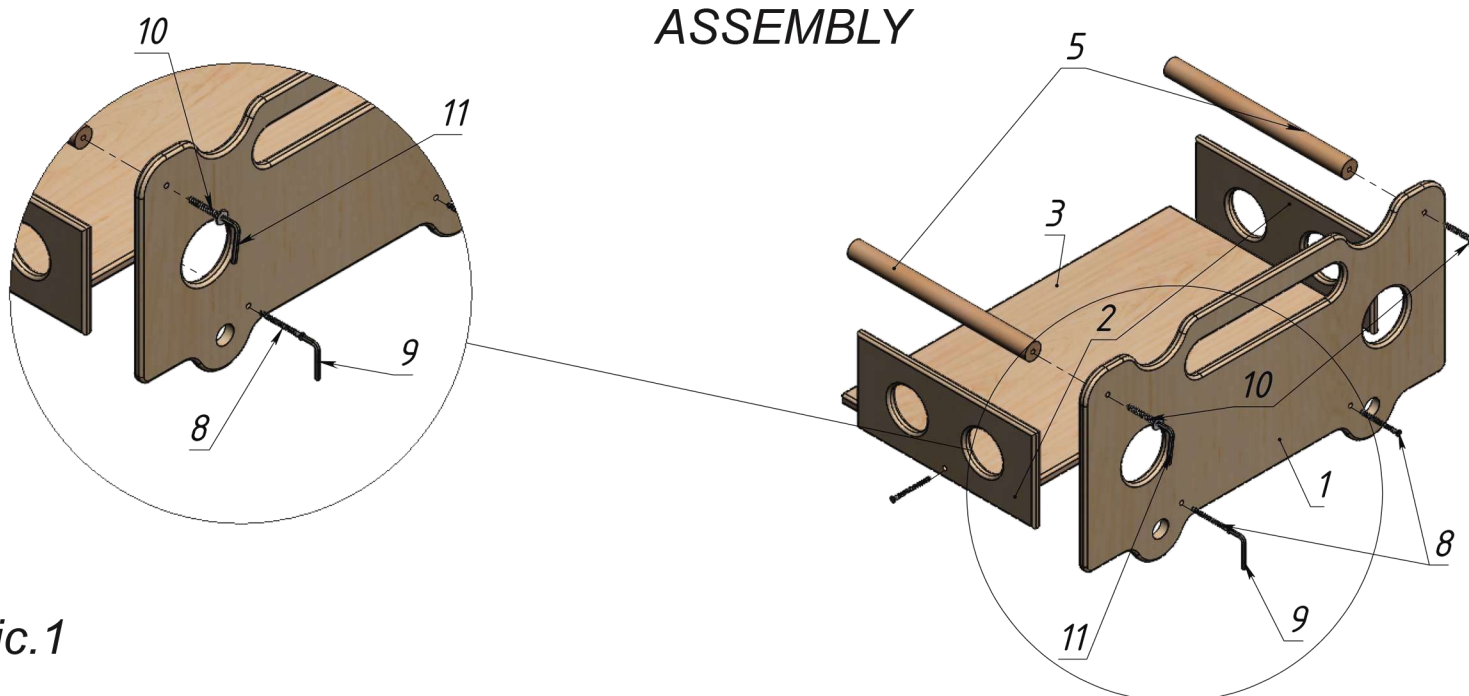
Box on wheels «My car»



ASSEMBLY DETAILS

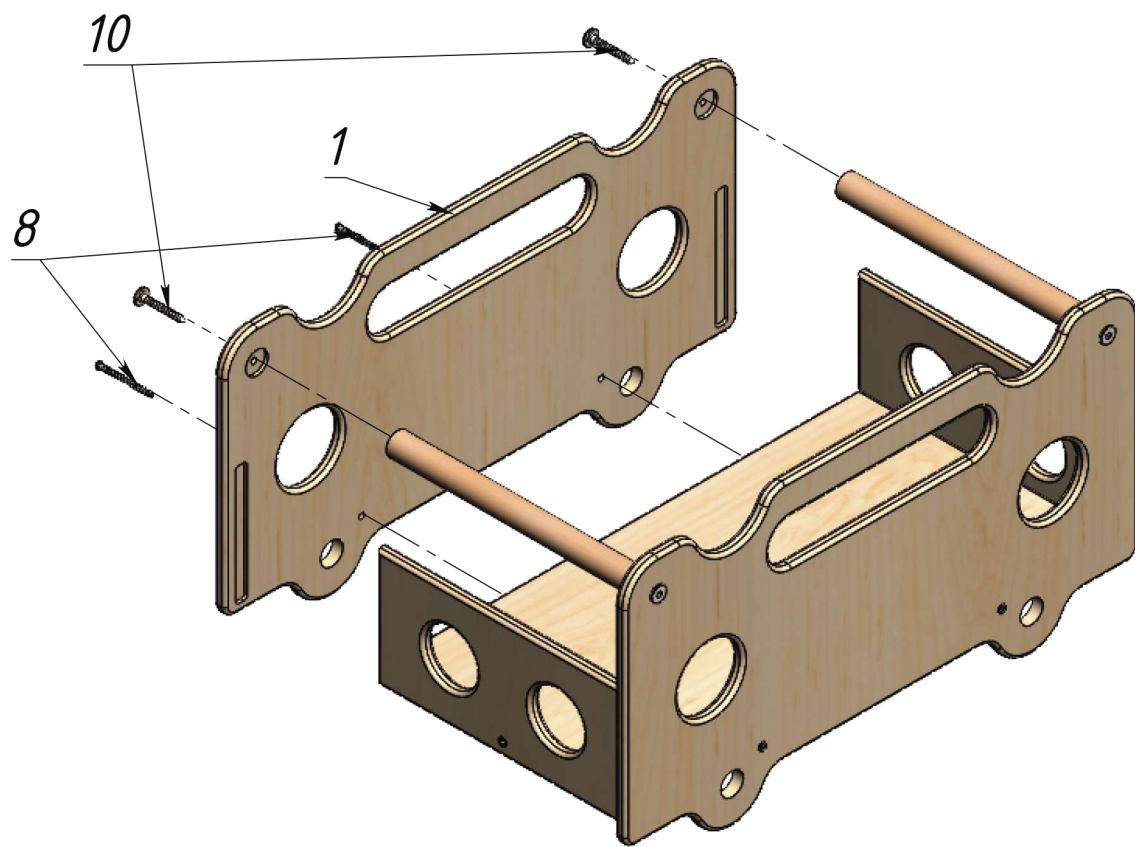
<p>1 - Sidewall</p> <p>2 pcs.</p>	<p>2 - Lintel</p> <p>2 pcs.</p>	<p>3 - Lower plank</p> <p>1 pc.</p>	<p>4 - Long nog</p> <p>2 pcs.</p>
<p>5 - Short nog</p> <p>2 pcs.</p>	<p>6 - Wheel</p> <p>4 pcs.</p>	<p>7 - Cover</p> <p>4 pcs.</p>	<p>8 - Confirmat screw 5x40 mm</p> <p>6 pcs.</p>
<p>9 - Hex key 3 mm</p> <p>1 pc.</p>	<p>10 - Screw 6.3x40 mm</p> <p>8 pcs.</p>	<p>11 - Hex key 4 mm</p> <p>1 pc.</p>	

ASSEMBLY



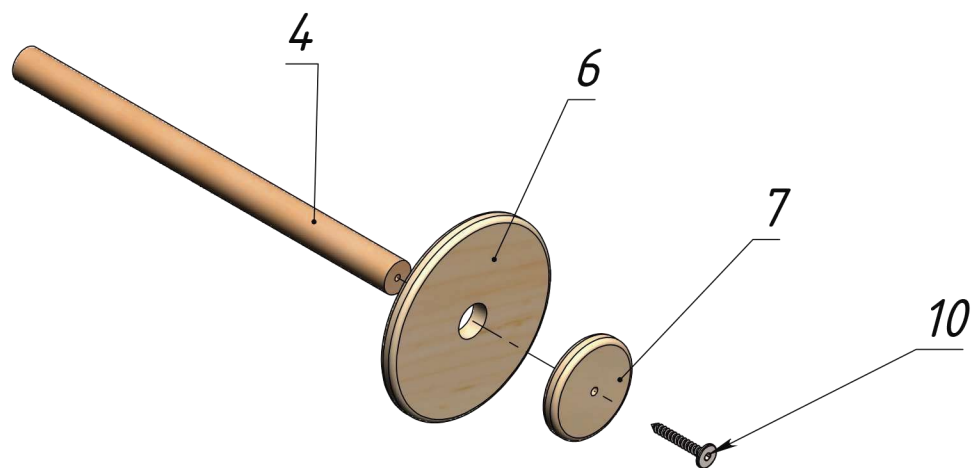
Pic.1

Screw the Lower plank (3) to one of the Sidewalls (1) with the help of Confirmat screws (8) and Hex key (9). Then screw the Short nogs (5) with the help of Screws (10) and 4 mm Hex key (11). Use the Confirmat screws (8) and 3 mm Hex key (9) to screw the Lintels (2) to the Lower plank (3)



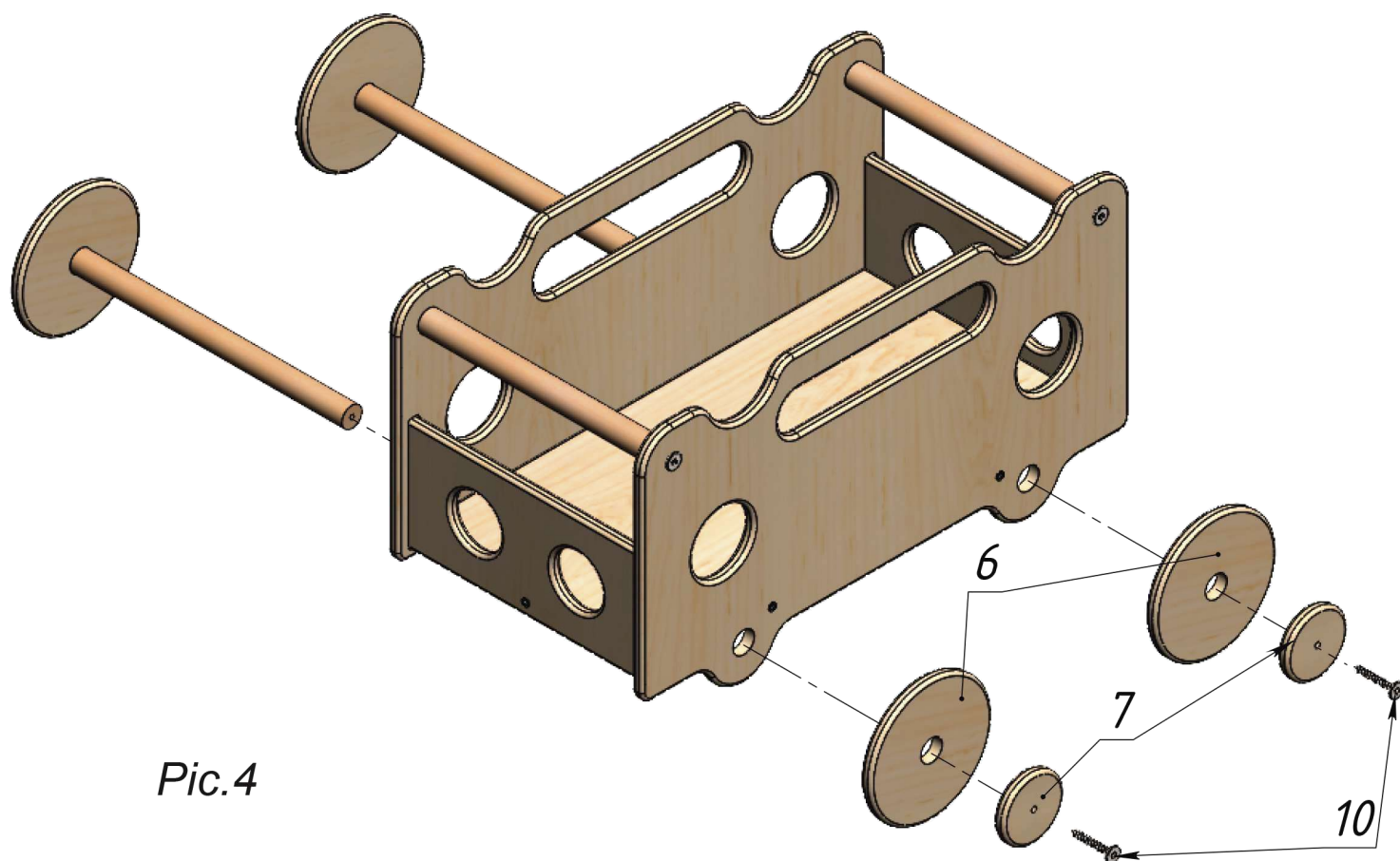
Pic. 2

Take another Sidewall (1), screw it to the previously assembled construction using the Confirmat screws (8) and Screws (10) with the help of 3 and 4 mm Hex keys (9, 11) accordingly. See the Pic. 2.



Pic.3

Move forward to assembling the Wheels: Put the Wheel (6) on the Long nog (4), and then, with the help of a Screw (10), connect it with the Cover (7). See Pic.3



Pic.4

Inset the part of the Long nog (4) into the holes and fix the Wheels (6) and Covers (7) from the other side using the Screws (10). See Pic.4.