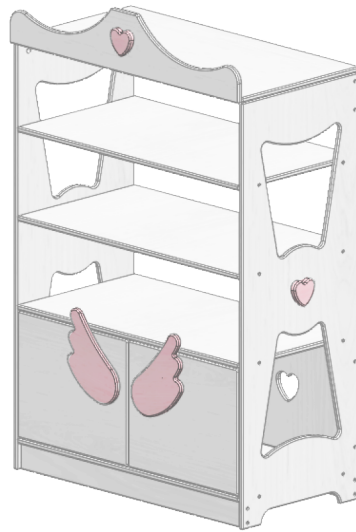
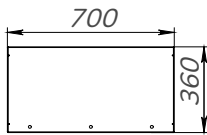

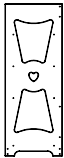
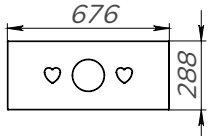

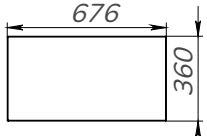
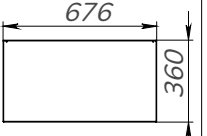
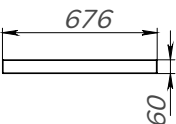
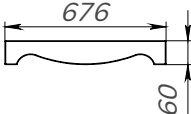
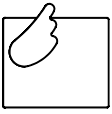
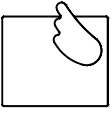



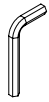



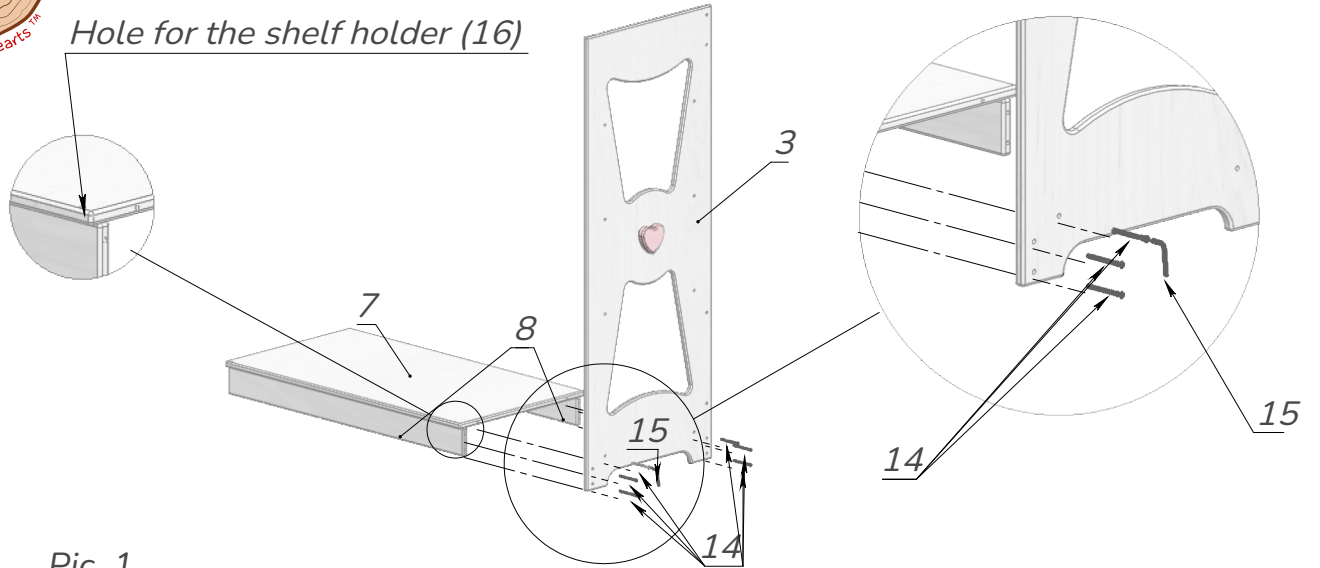
Bookshelf with cabinet



ASSEMBLY DETAILS

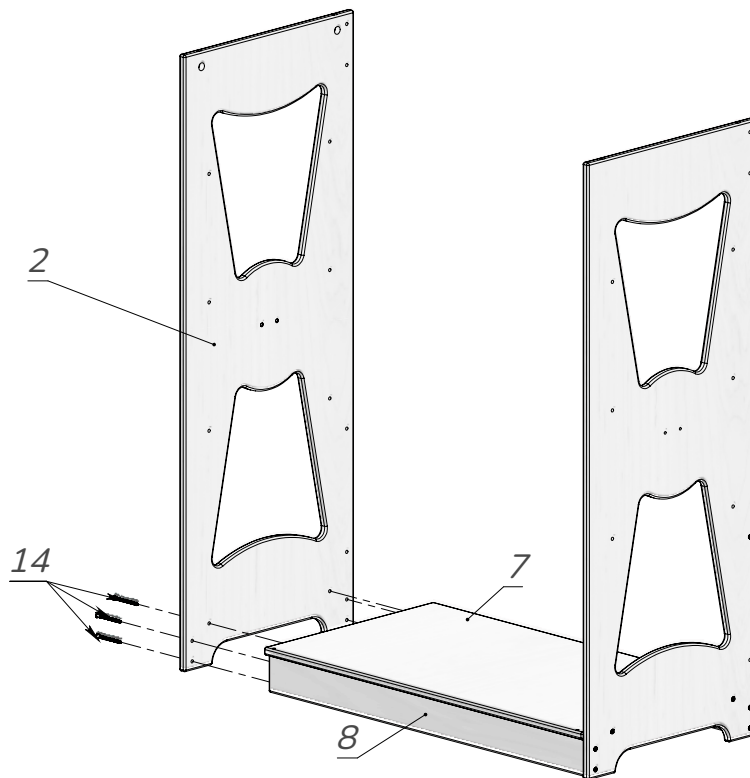
<p>1 - Upper cover</p>  <p>1 pc.</p>	<p>2 - Left sidewall</p>  <p>1 pc.</p>	<p>3 - Right sidewall</p>  <p>1 pc.</p>	<p>4 - Lower lintel</p>  <p>1 pc.</p>
<p>5 - Decorative plank</p>  <p>1 pc.</p>	<p>6 - Shelf #1</p>  <p>2 pcs.</p>	<p>7 - Shelf #2</p>  <p>2 pcs.</p>	<p>8 - Rail</p>  <p>2 pcs.</p>
<p>9 - Upper lintel</p>  <p>1 pc.</p>	<p>10 - Right door</p>  <p>1 pc.</p>	<p>11 - Left door</p>  <p>1 pc.</p>	<p>12 - Set of minifixes*</p>  <p>7 pcs.</p>
<p>13 - Screwdriver</p>  <p>1 pc.</p>	<p>14 - Confirmat 5x40</p>  <p>32 pcs.</p>	<p>15 - 3 mm hex key</p>  <p>1 pc.</p>	<p>16 - Shelf holder</p>  <p>4 pcs.</p>

*Eccentric ties are already installed into the details



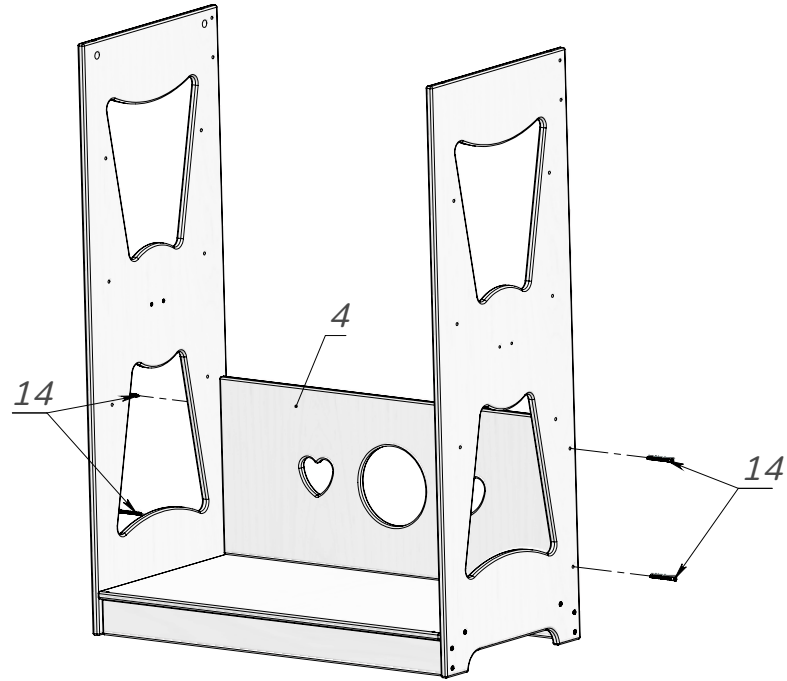
Pic. 1

Take the right sidewall (3) and using the confirmat screws (14) and hex key (15) attach the shelf #2 (7) and a rail (8). Locate the shelf (7) so that the holes for the shelf holder (16) were located in front. See Pic.1.



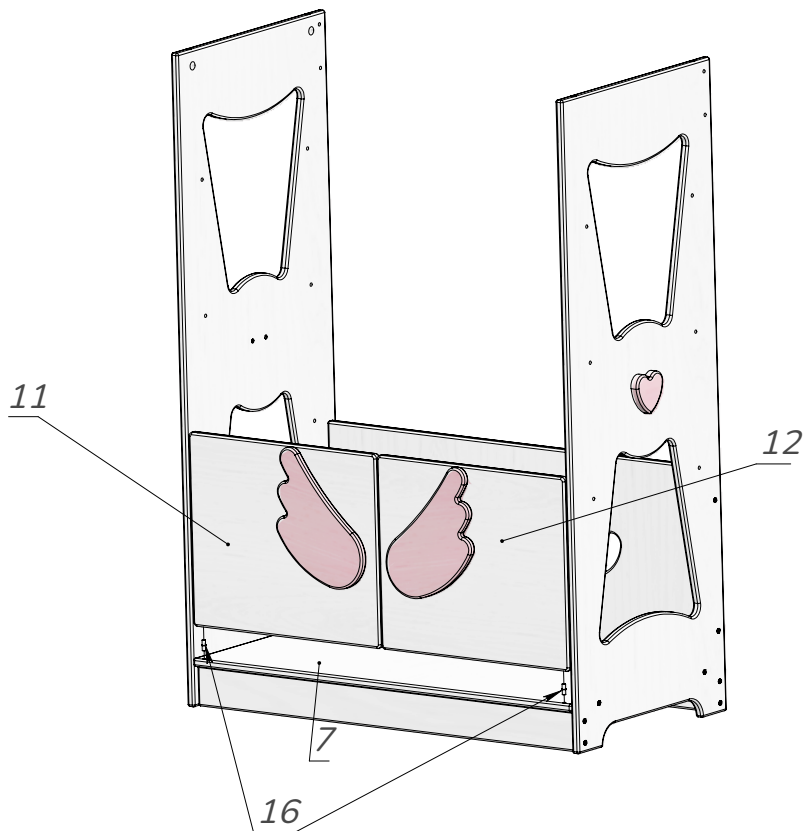
Pic. 2

Take another sidewall (2) and attach it to the shelf (7) and rail (8) with confirmat screws (14). See Pic.2.



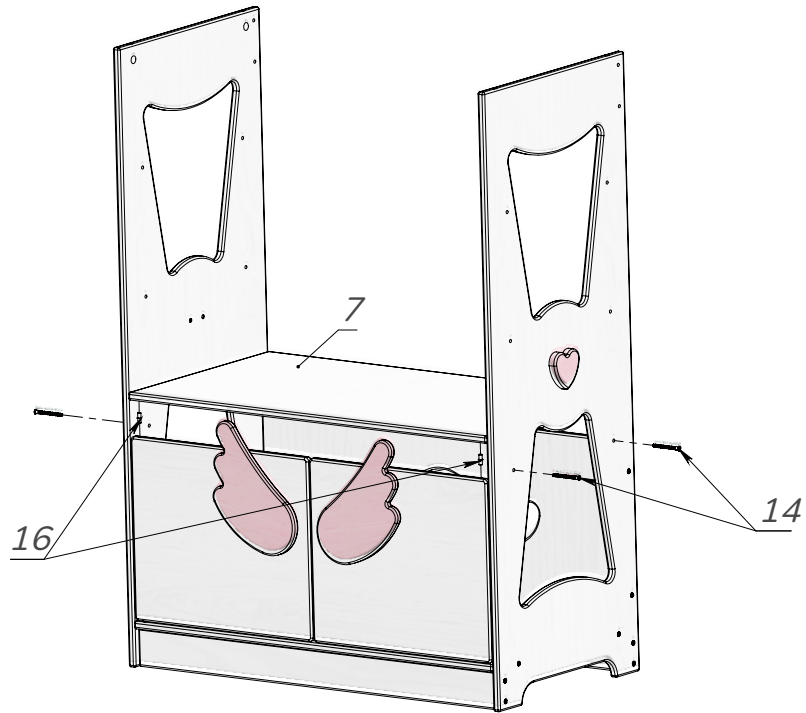
Pic. 3

Take the lower lintel (4) and using the cofirmat screws (14) attach it to the previously assembled construction. See Pic.3.



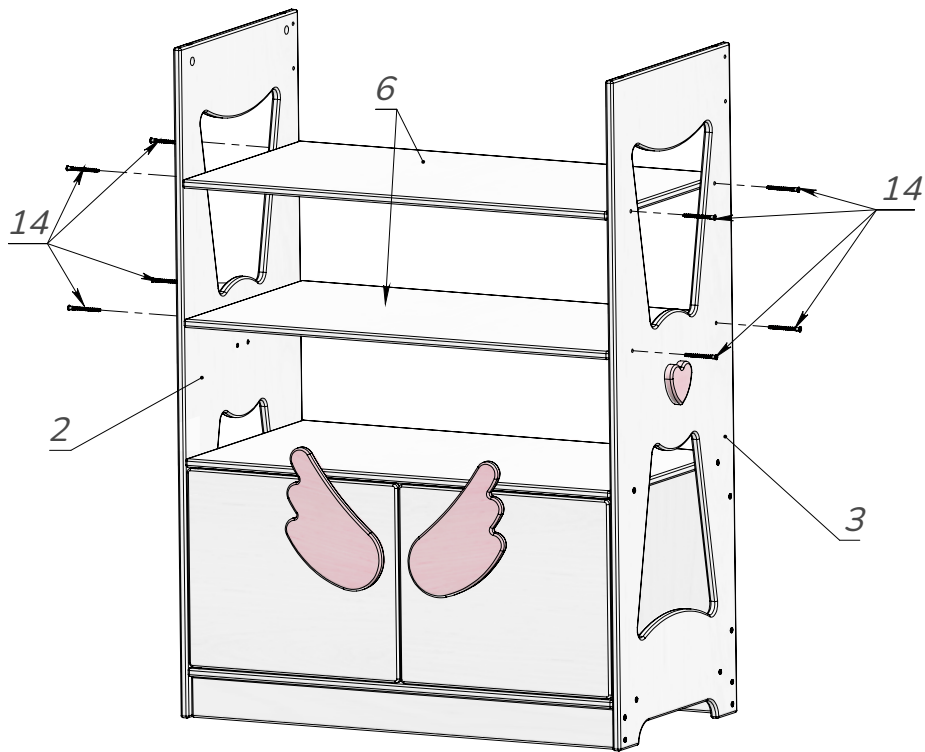
Pic. 4

Take shelf holders (16) and install them into the shelf #2 (7). After than, attach left and right doors (11,12). See Pic.4.



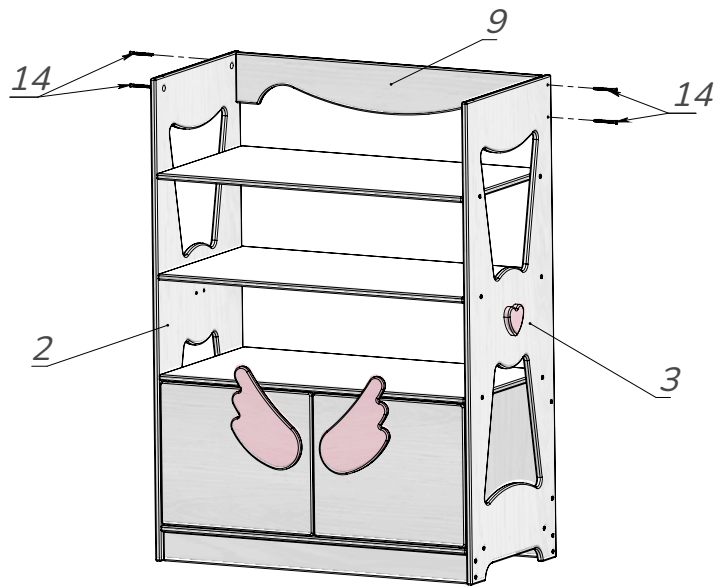
Pic. 5

Install the shelf holders (16) into the doors (11,12). Then attach another shelf #2 (7) and screw it with confirmat screws (14). See Pic.5



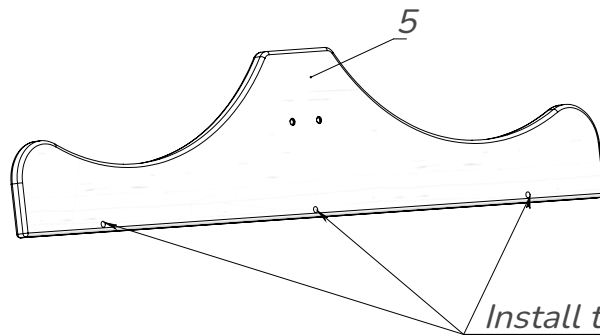
Pic. 6

Attach the shelved #1 (6) to the sidewalls (2,3) using the confirmat screws (14). See Pic.6.



Pic. 7

Attach the upper lintel (9) to the sidewalls (2,3) using the confirmat screws (14). See Pic.7.

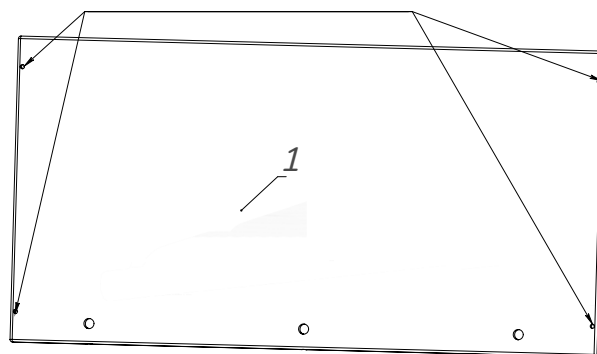


Pic. 8

Install the dowel from minifixes (12)

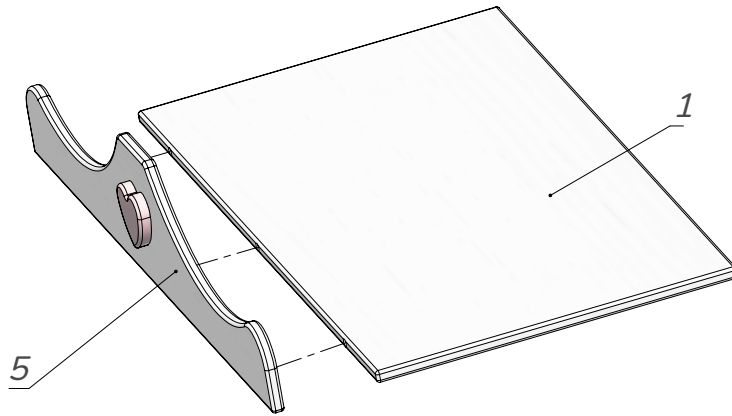
Take the screwdriver (13) and screw the dowel from minifixes (12) into the decorative plank (5) with its help. See Pic.8.

Install the dowel from minifixes (12)



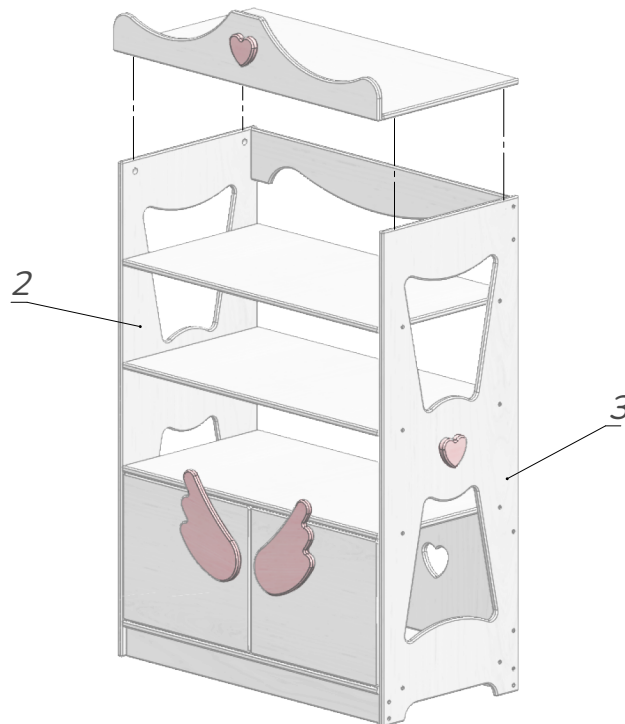
Pic. 9

Using the screwdriver (13), install the dowel from minifixes (12) into the upper cover (1). See Pic.9.



Pic. 10

Joint the decorative plank (5) and the upper cover (1) and close the eccentric ties (12) located in the upper cover clockwise. See Pic.10.



Pic. 11

Joint both semi-products and close the eccentric ties (12) located in the sidewalls (2,3) clockwise. See Pic.11.



To be used for its intended purpose only and under the direct supervision of an adult!
All the responsibility for children's injuries received during games on the furniture lies on adults watching after them.

Always be vigilant during children's games!