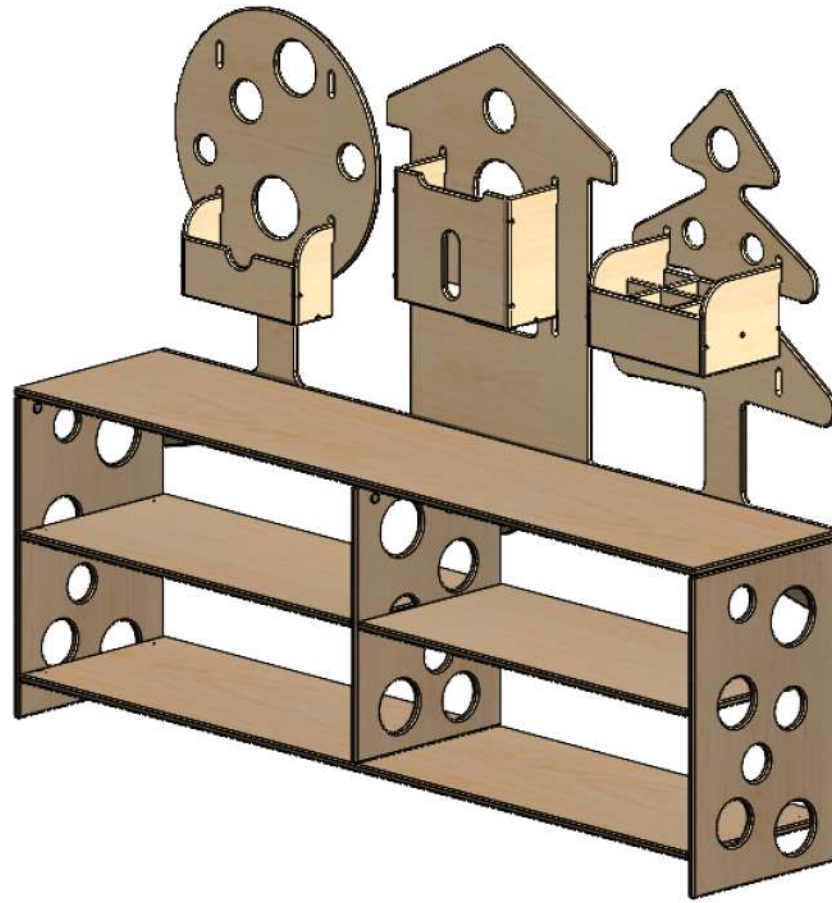
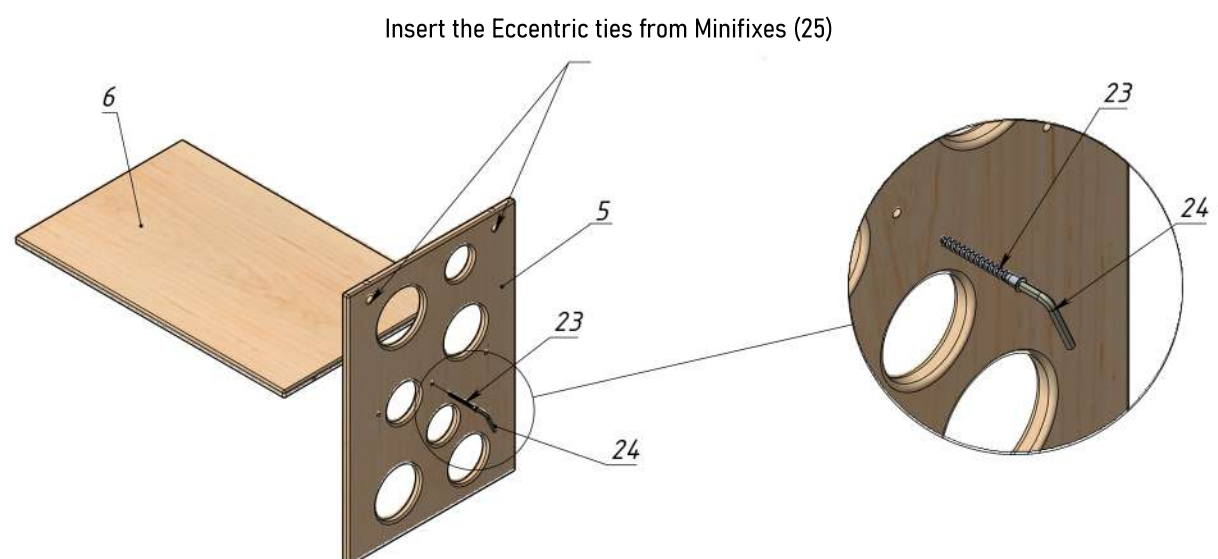


Bookshel «Trees and Houses» Wide 1



ASSEMBLY DETAILS

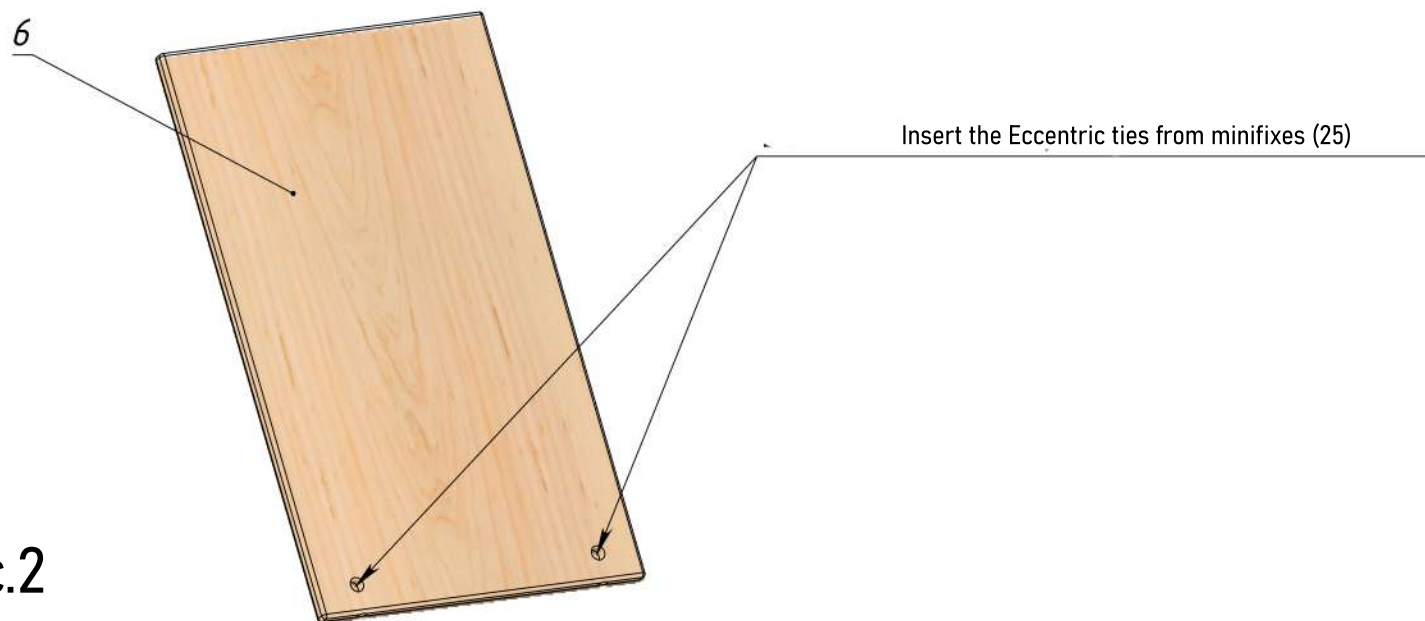
1 - Upper cover 1400 1 pc.	2 - Left sidewall 1 pc.	3 - Right sidewall 1 pc.	4 - Lower base 1376 1 pc.	5 - Middle wall 1 pc.	6 - Shelf 2 pcs.	7 - Middle decor 1 pc.
8 - Side decor 1 1 pc.	9 - Side decor 2 1 pc.	10 - Box 1 facade 1 pc.	11 - Left sidewall of the Box 1 1 pc.	12 - Right sidewall of the Box 1 1 pc.	13 - Lower plank of the Boxes 228 90 3 pcs.	14 - Left sidewall of the Box 2 1 pc.
15 - Right sidewall of the Box 2 1 pc.	16 - Box 2 facade 1 pc.	17 - Lower plank of the Box 2 228 65 1 pc.	18 - Long lintel 1 pc.	19 - short lintel 2 pcs.	20 - Lower plank of the Box 3 228 140 1 pc.	21 - Left sidewall of the Box 3 1 pc.
22 - Right sidewall of the Box 3 1 pc.	23 - Confirmat screws 5x40 32 pcs.	24 - 3 mm Hex key 1 pc.	25 - Set of Minifixes 14 pcs.	26 - Screwdriver 1 pc.		



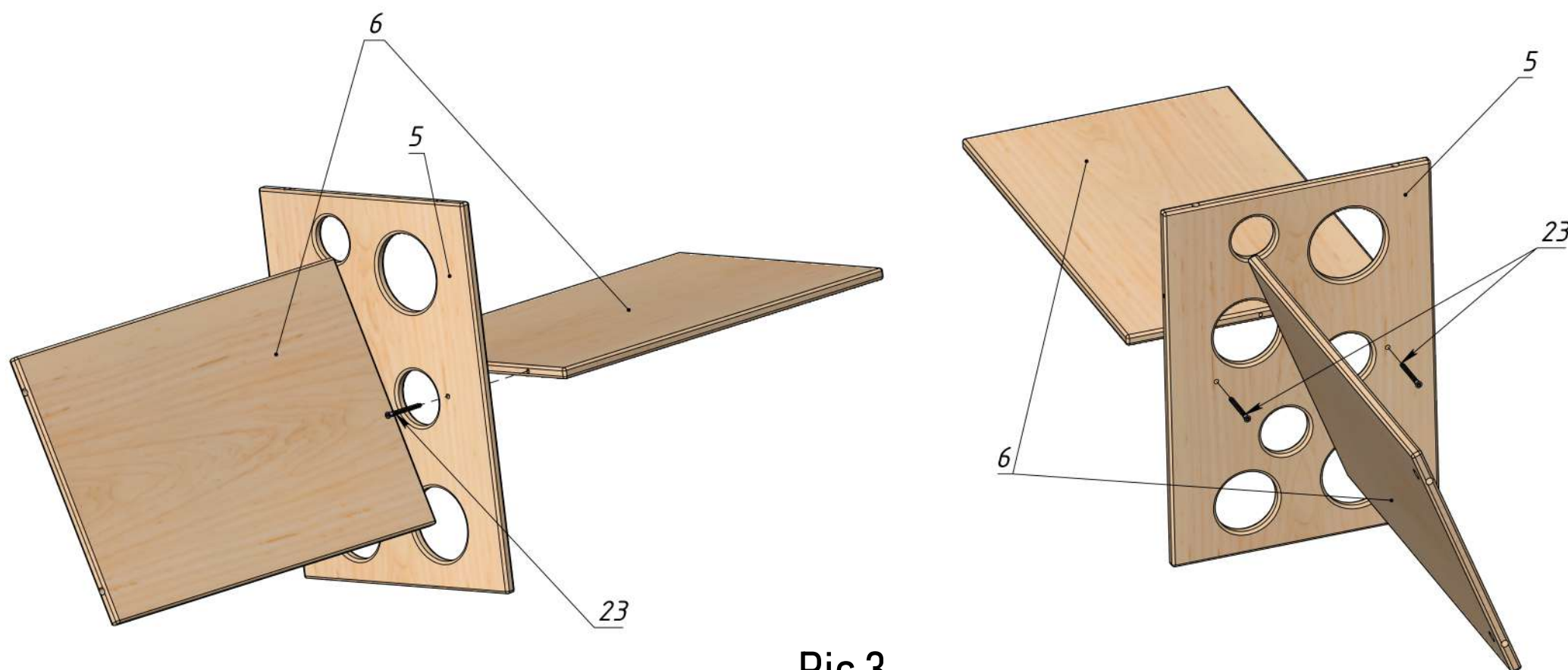
Pic.1

Take the Middle wall (5) and using the Confirmat screws (23) and 3mm Hex key (24), screw it to the Shelf (6). Then insert the Eccentrics from Minifixes (25) into the Middle wall (5). See Pic.1.

Pic.2



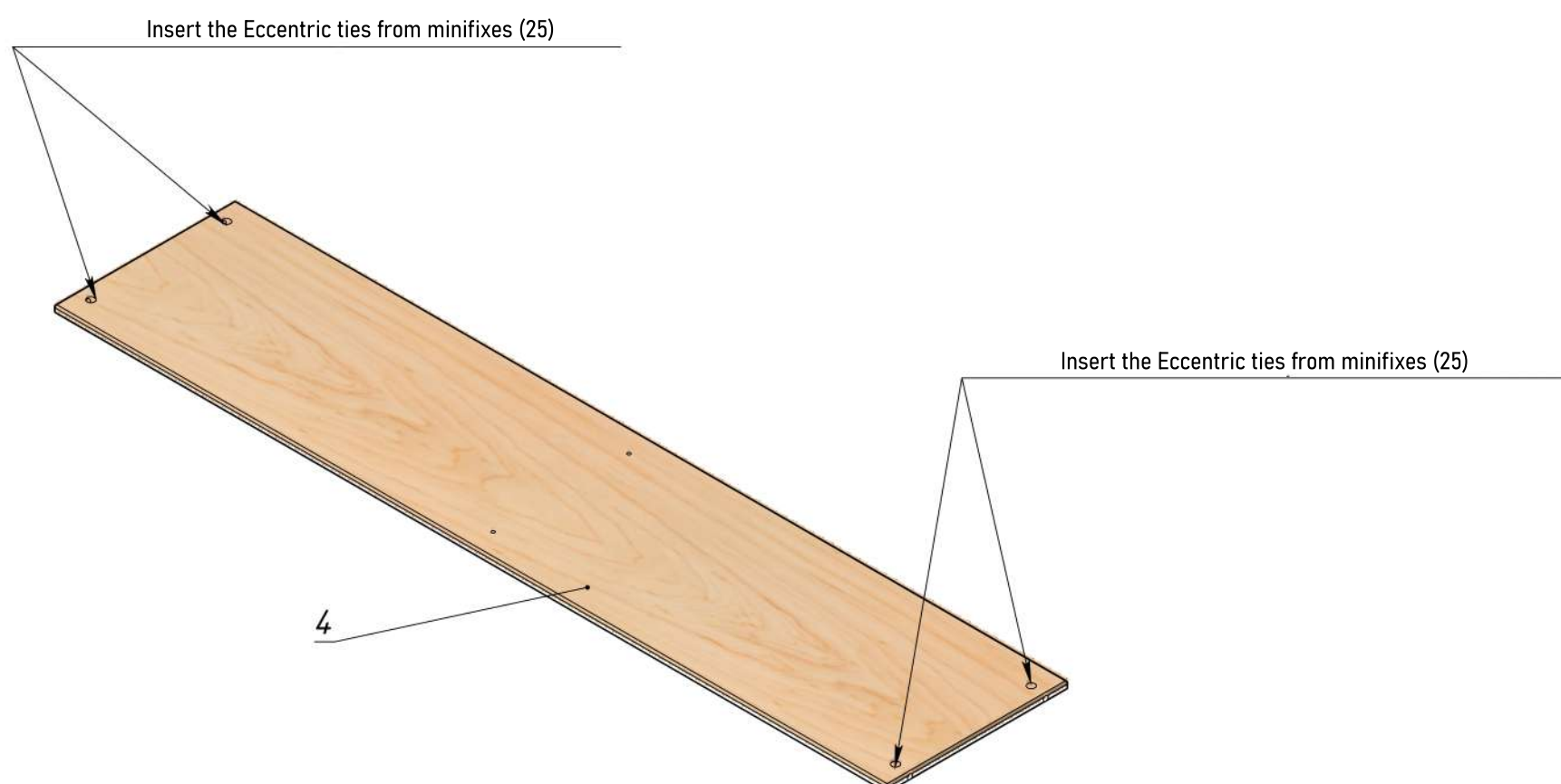
Insert the Eccentric ties from minifixes (25) to both Shelves (6). See Pic.2



Pic.3

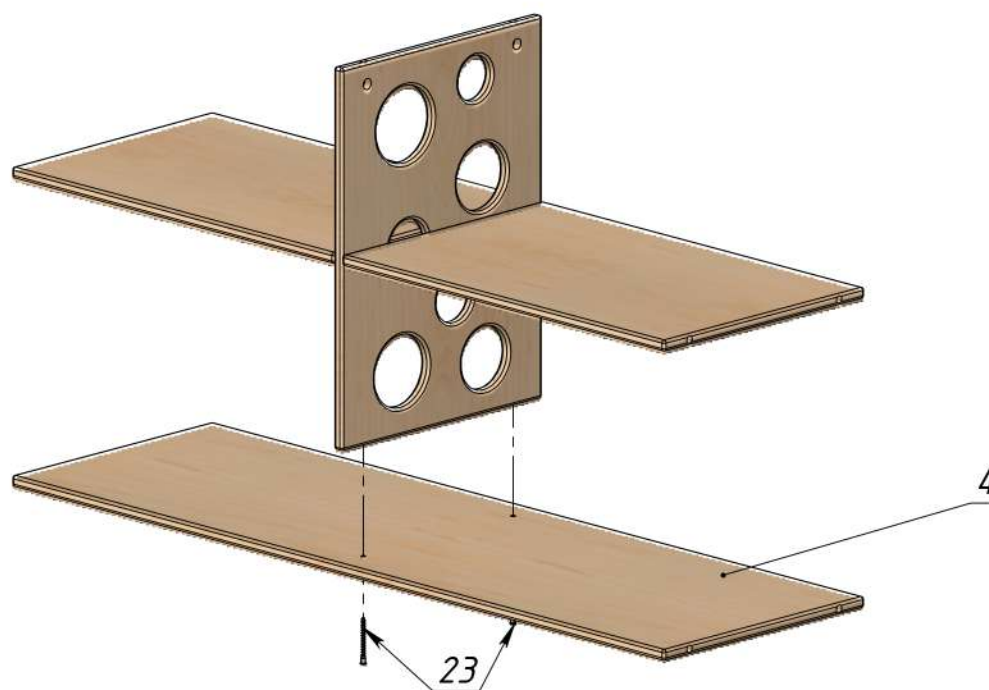
Rotate the Shelf (6) as it is shown in the picture to have the opportunity to screw another Shelf (6) to Middle wall (5) with the Confirmat screws (23). See Pic. 3

Pic.4



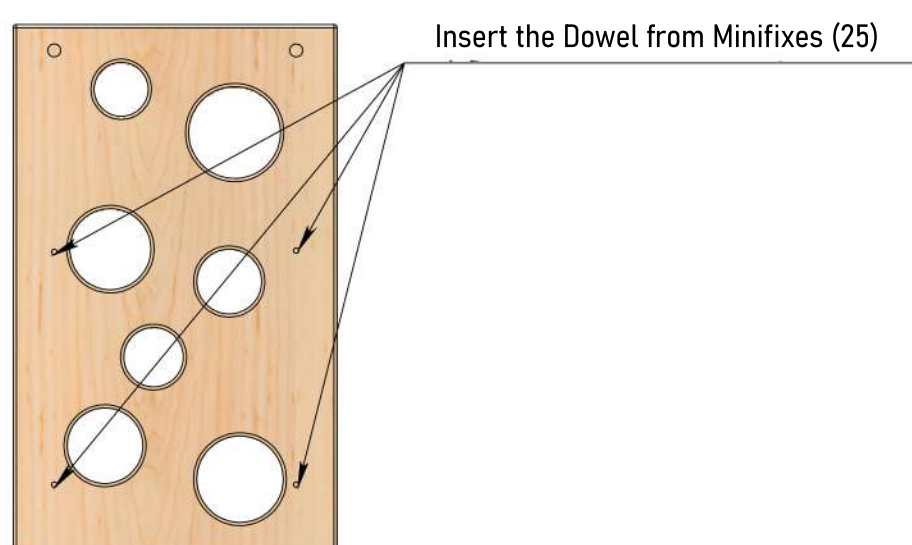
Insert the Eccentric ties from Minifixes (25) in the Lower base (4). See Pic.4

Pic.5

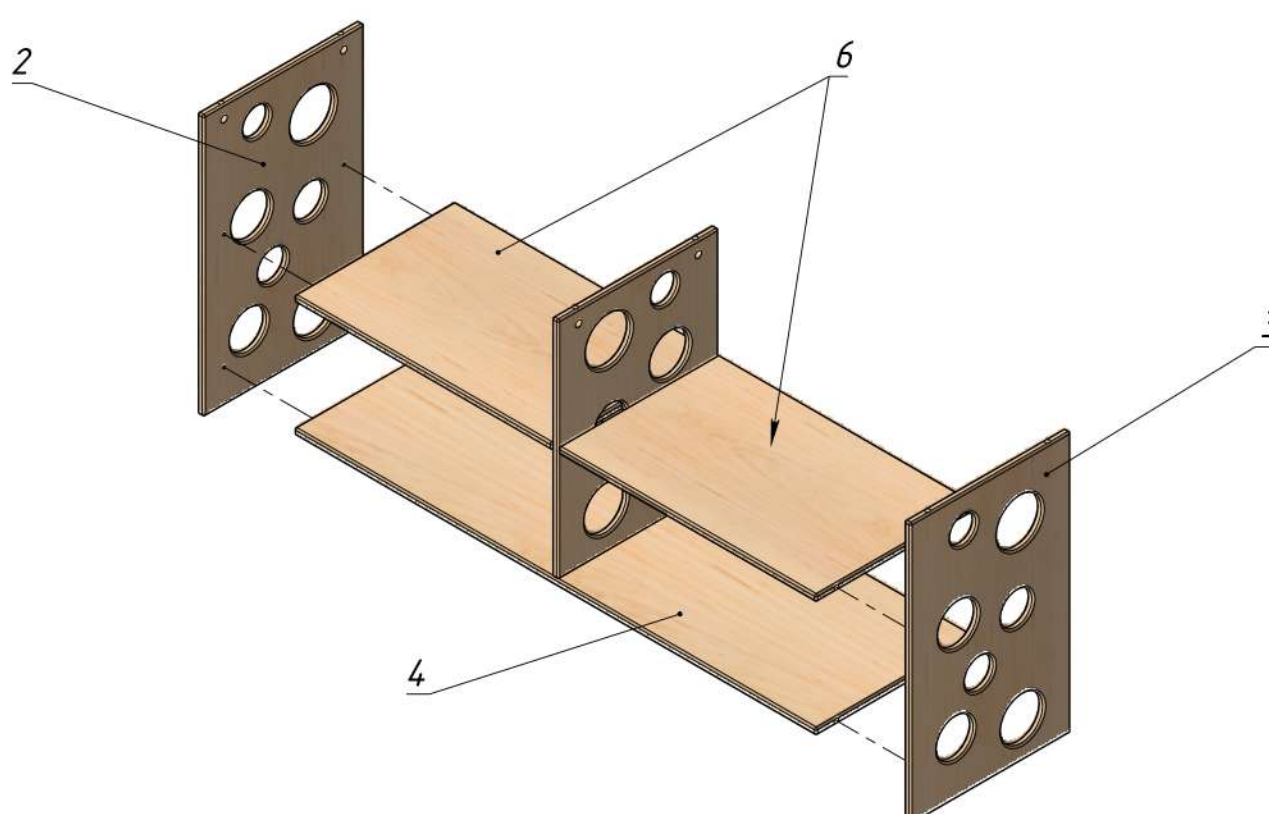


Fix the Lower base (4) with the Confirmat screws (23) and Key (24) as shown in the picture. See Pic.5.

Pic.6

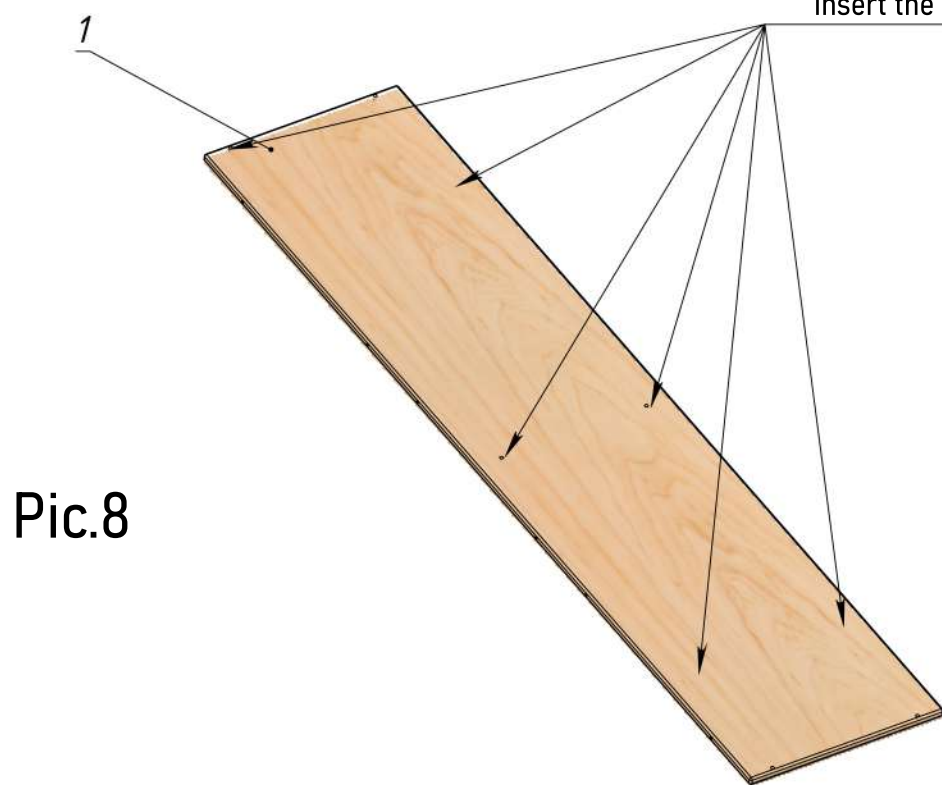


Take Right and Left Sidewalls (2,3) and insert the Dowels from Minifixes (25) into them using the Screwdriver (26). See Pic.6



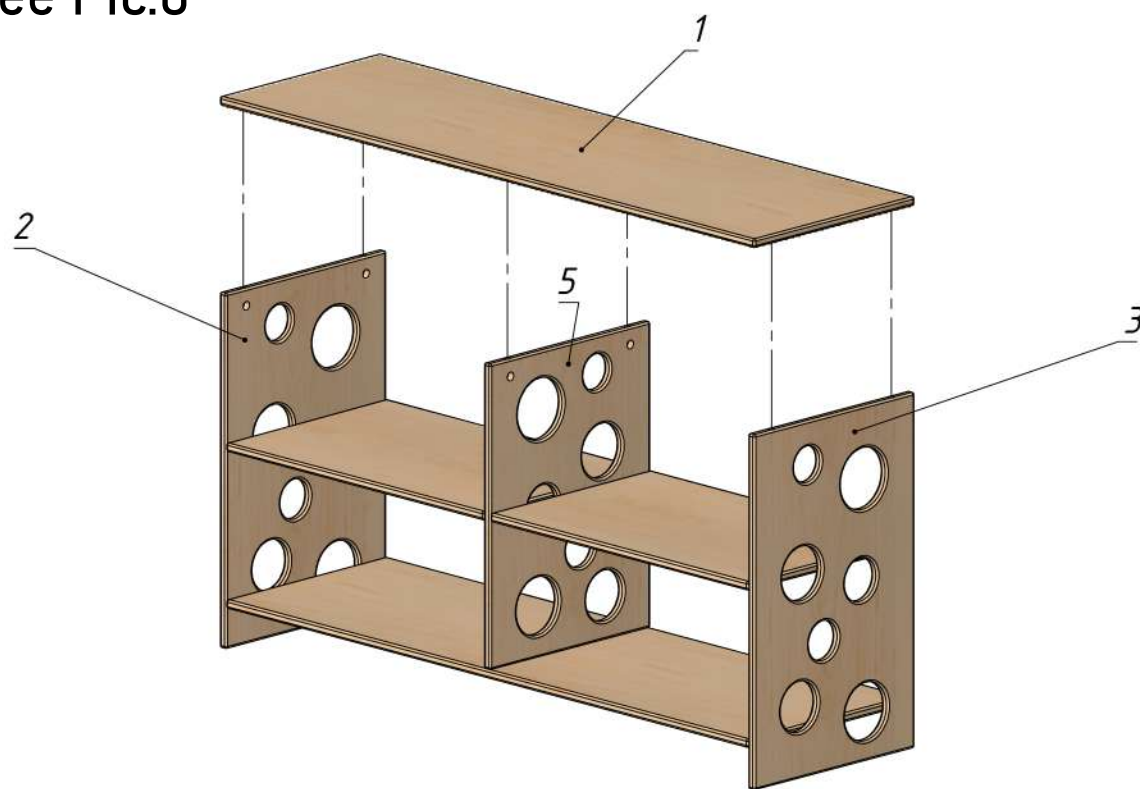
Pic.7

Connect the Sidewalls (2,3) to the previously assembled construction and close the Eccentric ties on the Lower base (4) and Shelves (6) using the Screwdriver (26). See Pic. 7



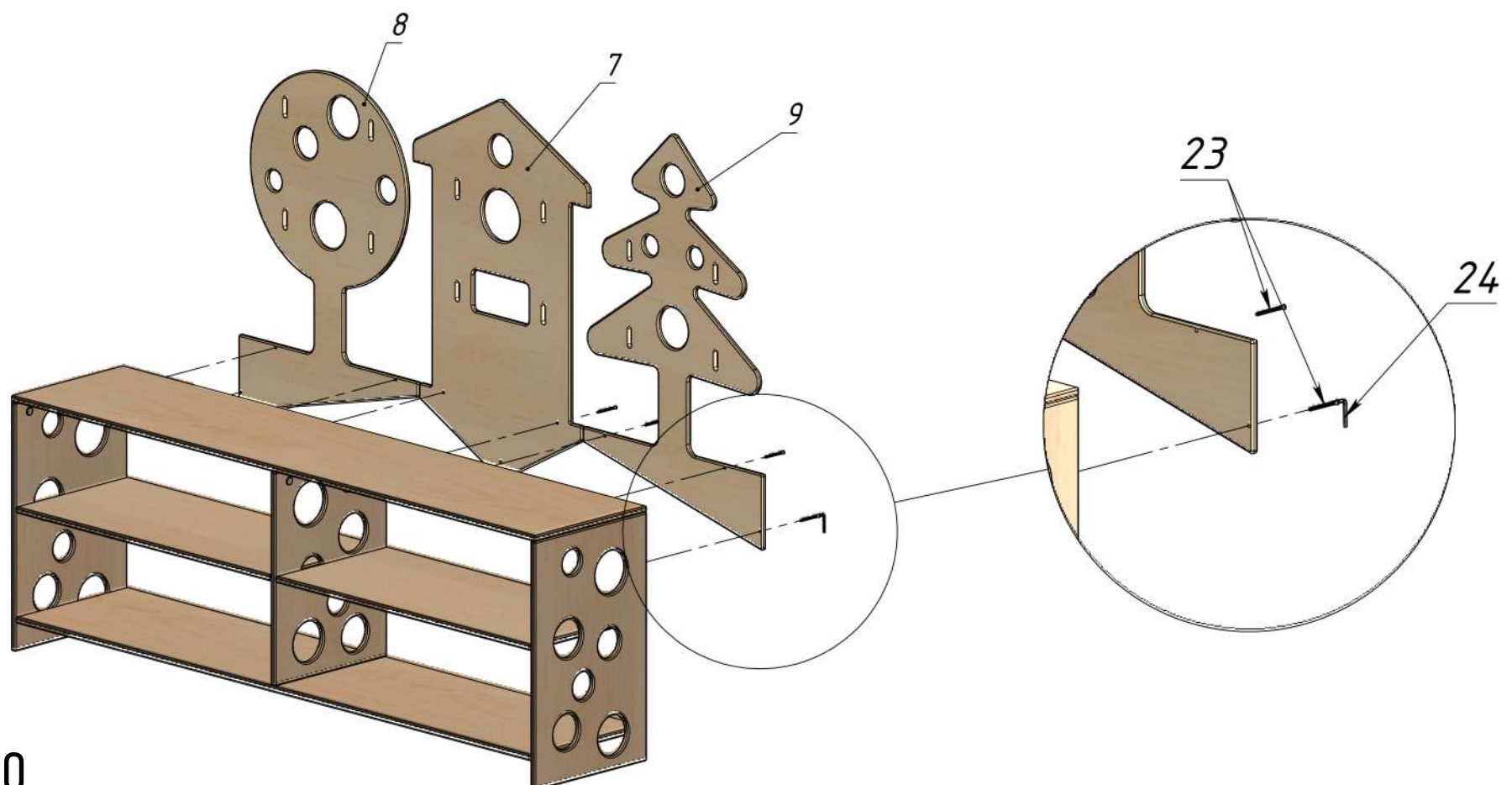
Pic.8

Take the Upper Cover (1) and insert the Dowels from Minifixes (25) using the Screwdriver. See Pic.8



Pic.9

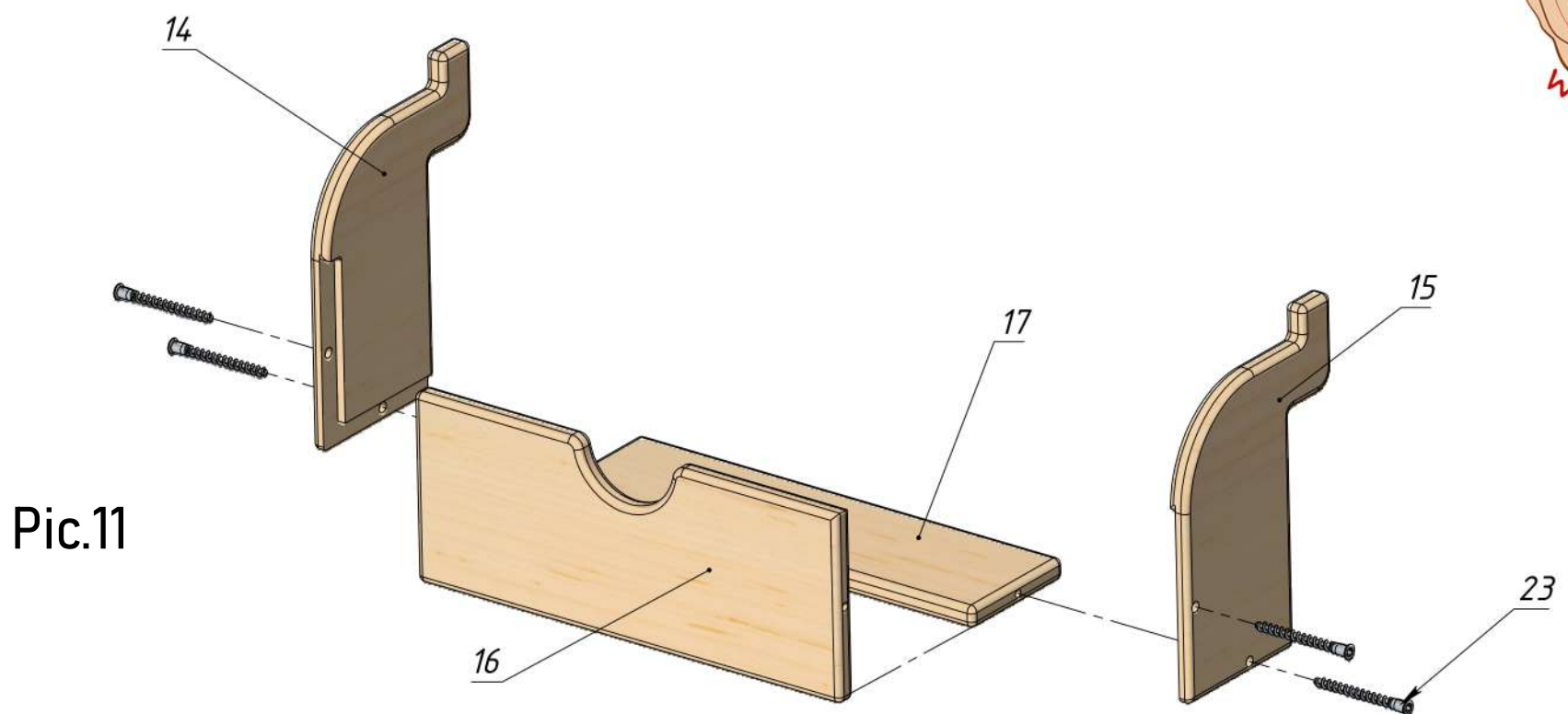
Take the Upper cover (1) and put it on the top of the assembled construction. Close all the Eccentric ties located on the Walls (2,3,5) using the Screwdriver (26). See Pic. 9



Pic.10

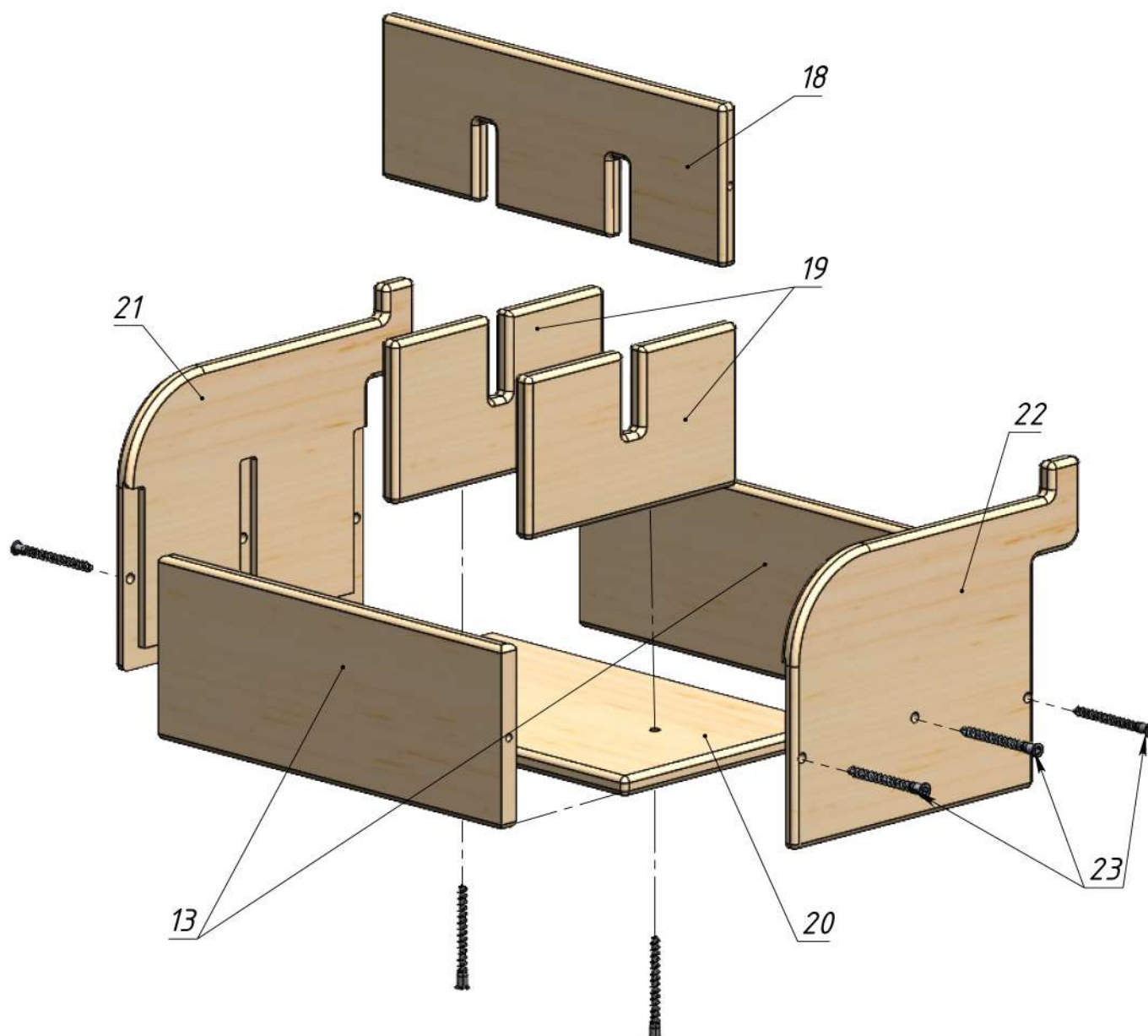
Decorative elements (7,8,9) are to be connected to the assembled shelf with the Confirmat screws (23) and Hex key (24). See Pic.10.

Proceed with the hanging Boxes



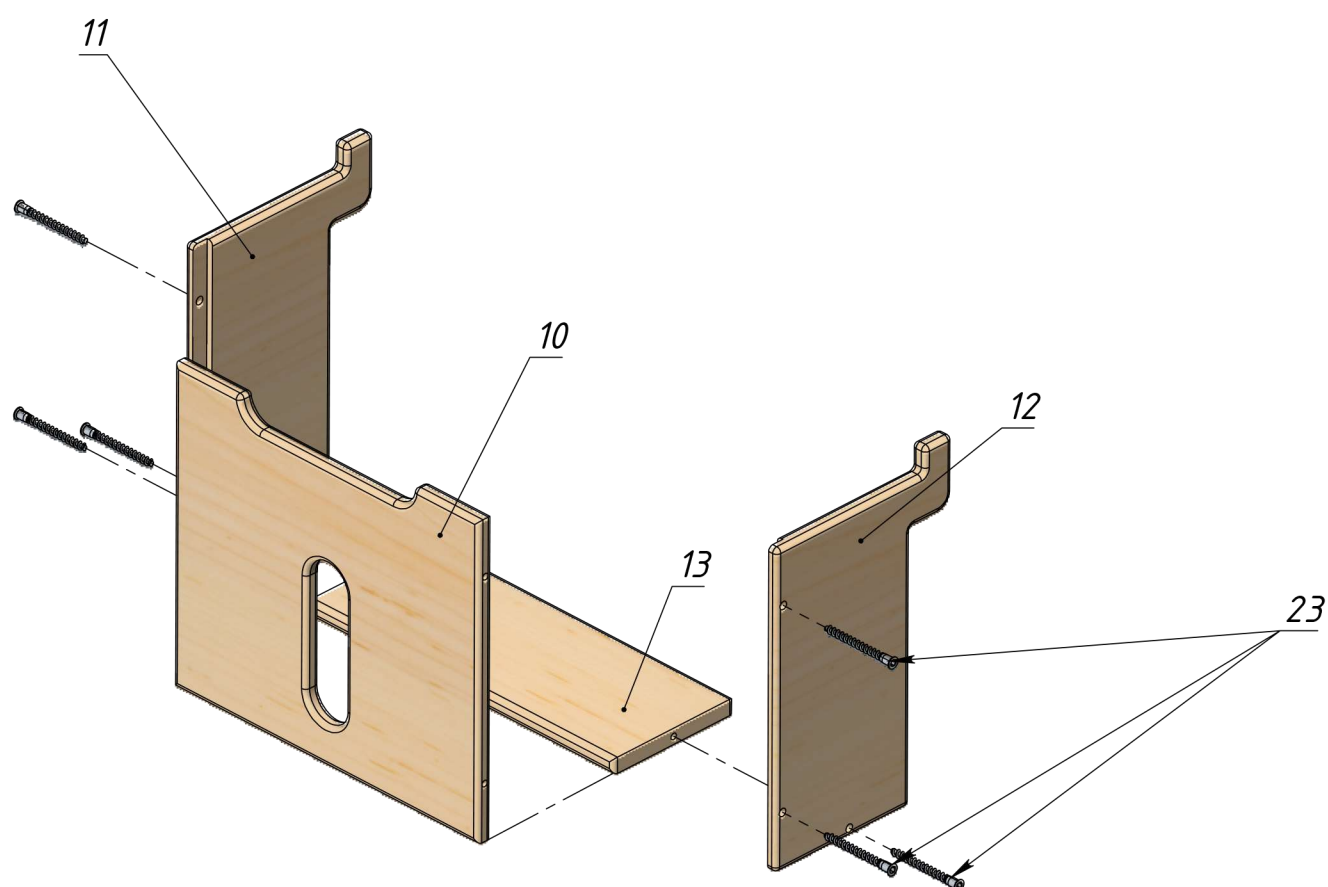
Pic.11

Connect the Facade of the Box 2 (16) to one of the Sidewalls of the Box 2 (14/15) using the Confirmat screws (23). Connect another sidewall the same way. See Pic. 11



Pic.12

Take one of the Sidewalls of the Box 3 (21/22) and using the Confirmat screws (23), connect the Lower plank of the Box 3 (13). Then locate the Short lintels (19) on the Lower plank of the Box 3 (20) and insert the Long lintel (18) into holes as shown. Use the Confirmat screws (23) to fix the construction and connect to one of the Sidewalls (21/22). Another Sidewall (21/22) is to be connected to the previously assembled construction. See Pic.12



Pic.13

Take one of the Sidewalls of the Box 1 (11/12) and using the confirmat screws, connect the Facade (10) and Lower plank of the Box (13). Then similarly fix another Sidewall (11/12). See Pic.13

**To be used under the direct supervision of an adult only.
Always be vigilant during children's games**