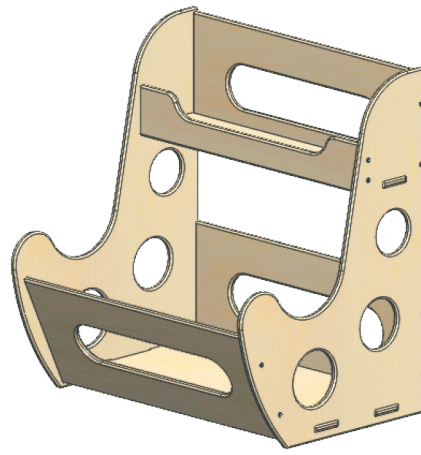
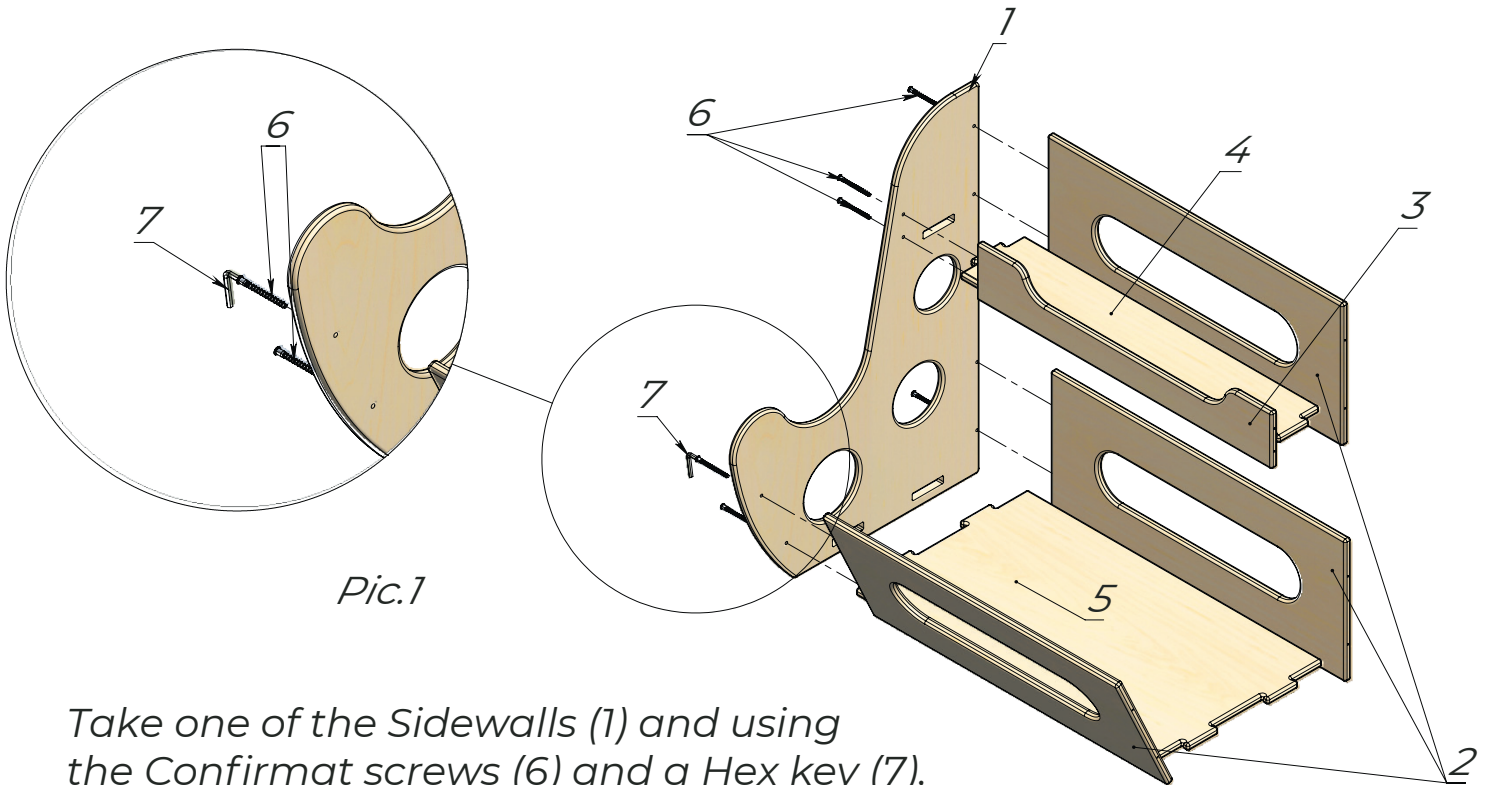


Bookcase 'Saxophone'



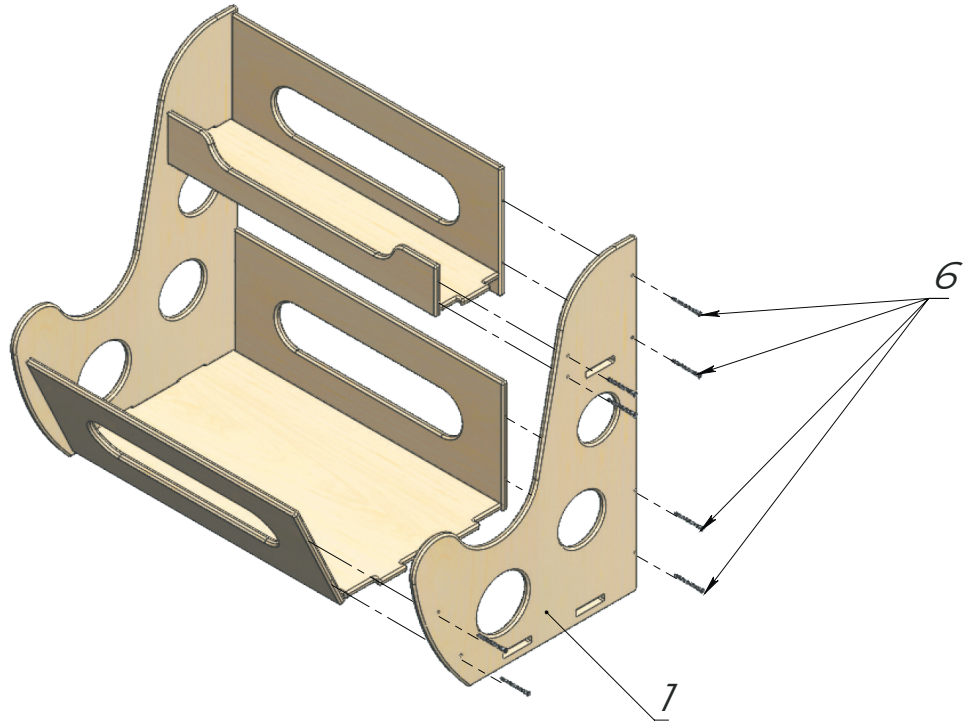
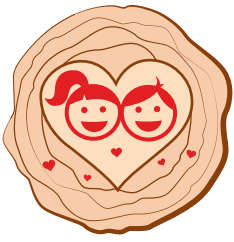
Assembly details

<p>1 - Sidewall</p> <p>2 pcs.</p>	<p>2 - Panel with cutout</p> <p>3 pcs.</p>	<p>3 - Upper panel</p> <p>1 pc.</p>	<p>4 - Upper base</p> <p>1 pc.</p>
<p>5 - Lower base</p> <p>1 pc.</p>	<p>6 - Confirmat screw 5x40</p> <p>16 pcs.</p>	<p>7 - 3 mm hex key</p> <p>1 pc.</p>	



Pic.1

Take one of the Sidewalls (1) and using the Confirmat screws (6) and a Hex key (7), connect the Panel with cutout (2) to it. Then take an Upper base (4) and Lower base (5) and insert protruding side parts into the holes in the Sidewall (1). See Pic. 1



Pic.2

Take the previously assembled construction and using the Confirmat screws (6), connect another Sidewall (1) to it. See Pic.2

**To be used under the direct supervision of an adult only.
Always be vigilant during children's games**

Have any questions? Contact us: support@woodandhearts.com