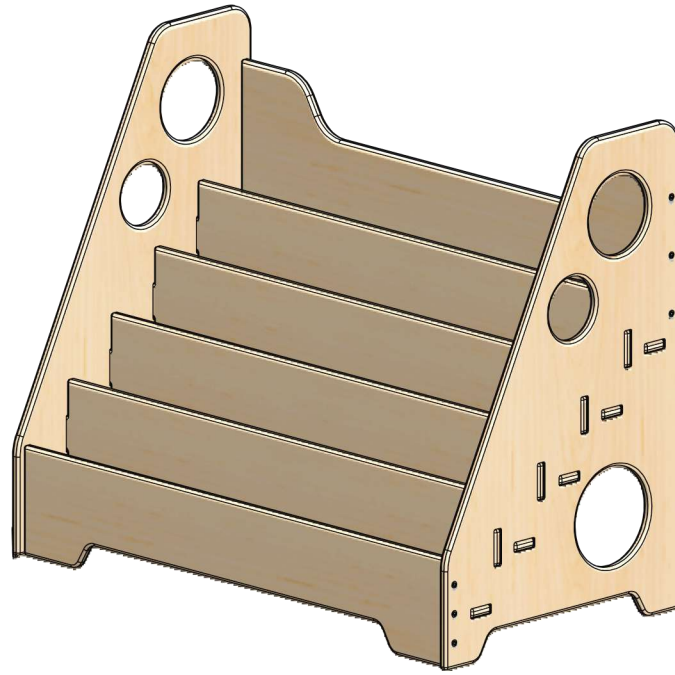
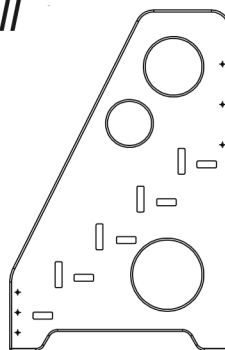




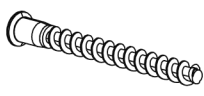
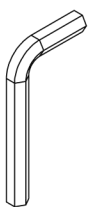


Floor bookcase "Kristi"

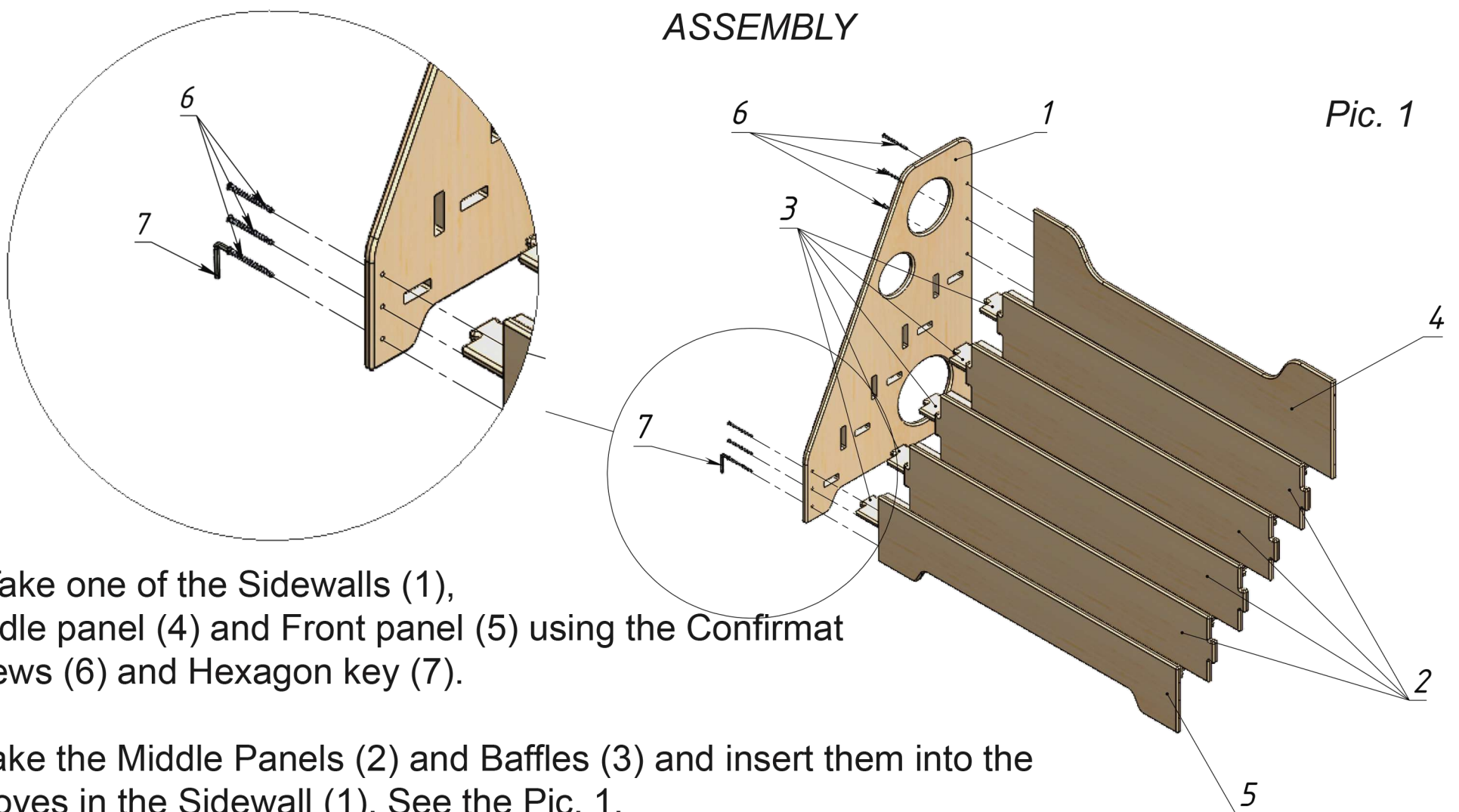


ASSEMBLY DETAILS

<p>1 - Sidewall</p>  <p>2 pcs.</p>	<p>2 - Middle panel</p>  <p>4 pcs.</p>	<p>3 - Baffle</p>  <p>5 pcs.</p>	<p>4 - Back panel</p>  <p>1 pc.</p>
<p>5 - Front panel</p>  <p>1 pc.</p>	<p>6 - Confirmat screw 5x40 mm</p>  <p>12 pcs.</p>	<p>7 - Hexagon key 3 mm</p>  <p>1 pc.</p>	

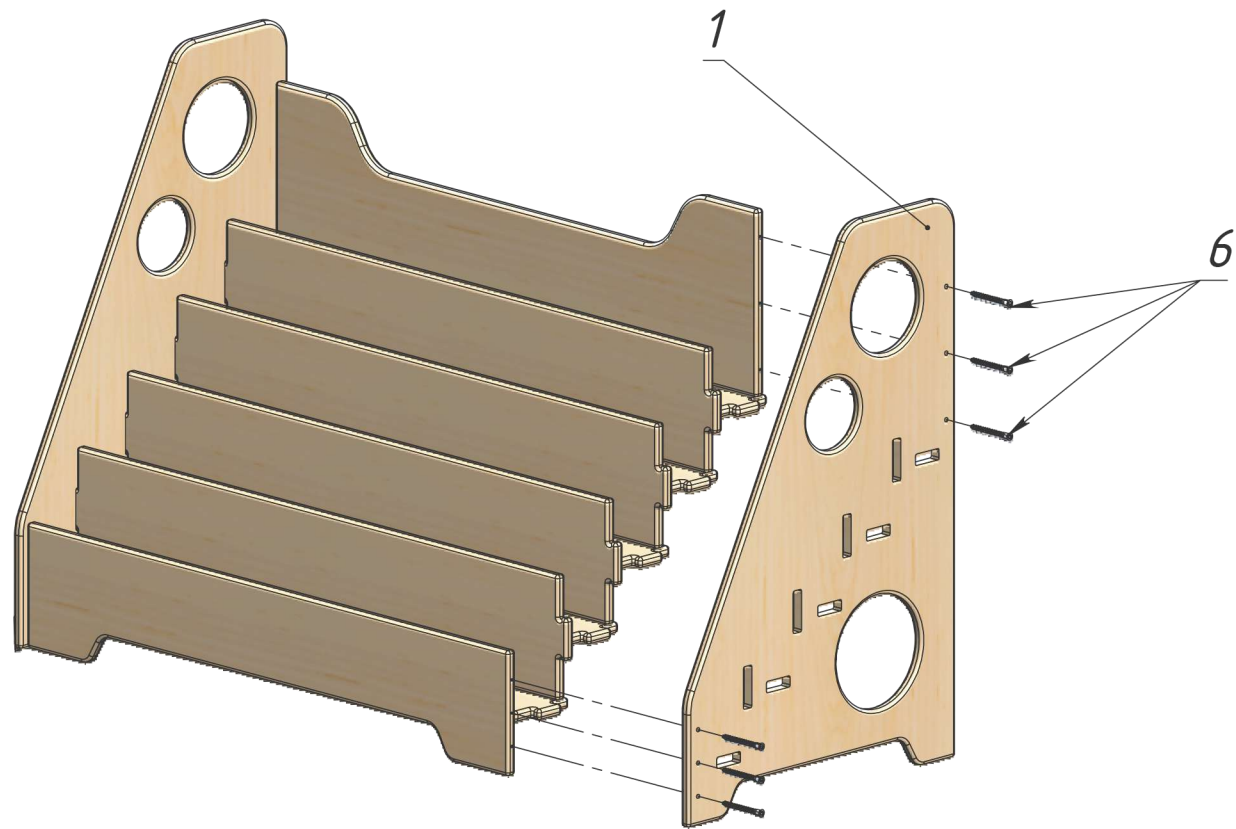
ASSEMBLY

Pic. 1



1. Take one of the Sidewalls (1), Middle panel (4) and Front panel (5) using the Confirmat screws (6) and Hexagon key (7).

2 Take the Middle Panels (2) and Baffles (3) and insert them into the grooves in the Sidewall (1). See the Pic. 1.



Pic. 2

3. Using the Confirmat screws (6) and Hexagon key (7), connect another Sidewall (1) to the before assembled structure. See the Pic. 2

**To be used under the direct supervision of an adult only.
Always be vigilant during children's games**