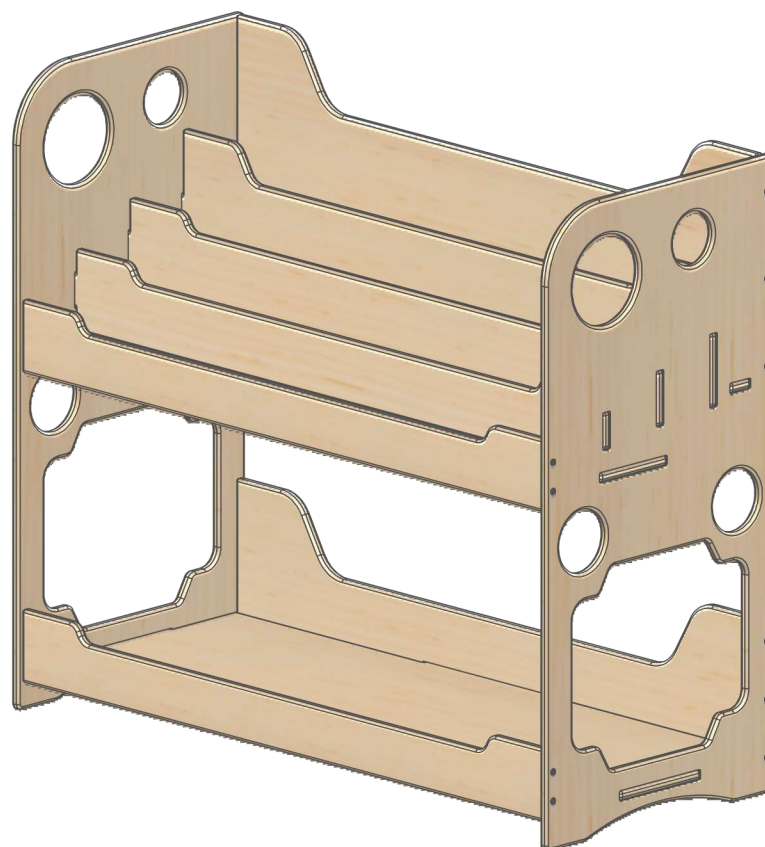


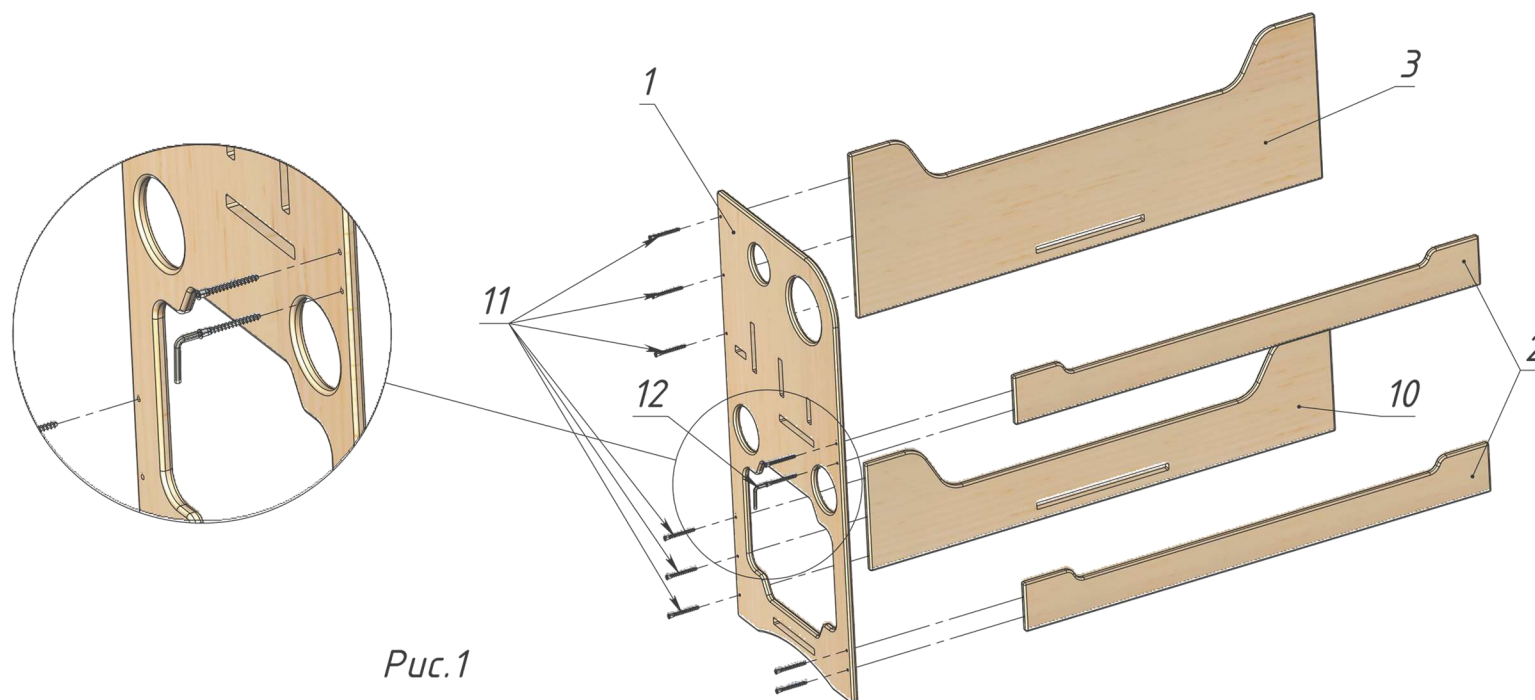
# Bookshelf "Annie"



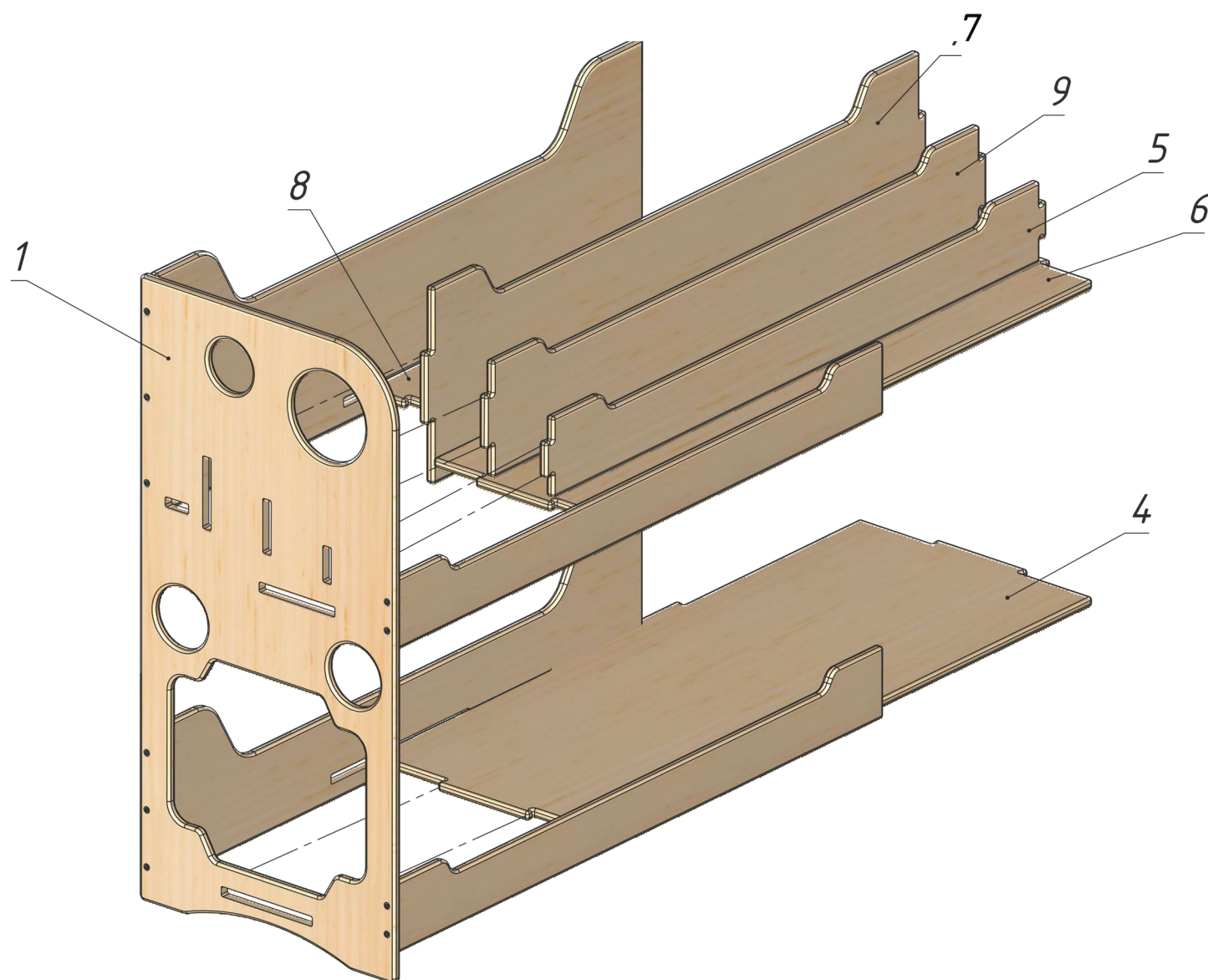
## ASSEMBLY PARTS

<p>1 - Sidewall</p> <p>2 pcs.</p>	<p>2 - Front plank</p> <p>2 pcs.</p>	<p>3 - Back upper plank</p> <p>1 pc.</p>	<p>4 - Lower base</p> <p>1 pc.</p>	<p>5 - Front baffle</p> <p>1 pc.</p>	<p>6 - Middle base</p> <p>1 pc.</p>
<p>7 - Back baffle</p> <p>1 pc.</p>	<p>8 - Upper base</p> <p>1 pc.</p>	<p>9 - Middle baffle</p> <p>1 pc.</p>	<p>10 - Back lower plank</p> <p>1 pc.</p>	<p>11 - Confirmat screw 5x40 mm</p> <p>20 pcs.</p>	<p>12 - hexagon key 3 mm</p> <p>1 pc.</p>

## ASSEMBLY

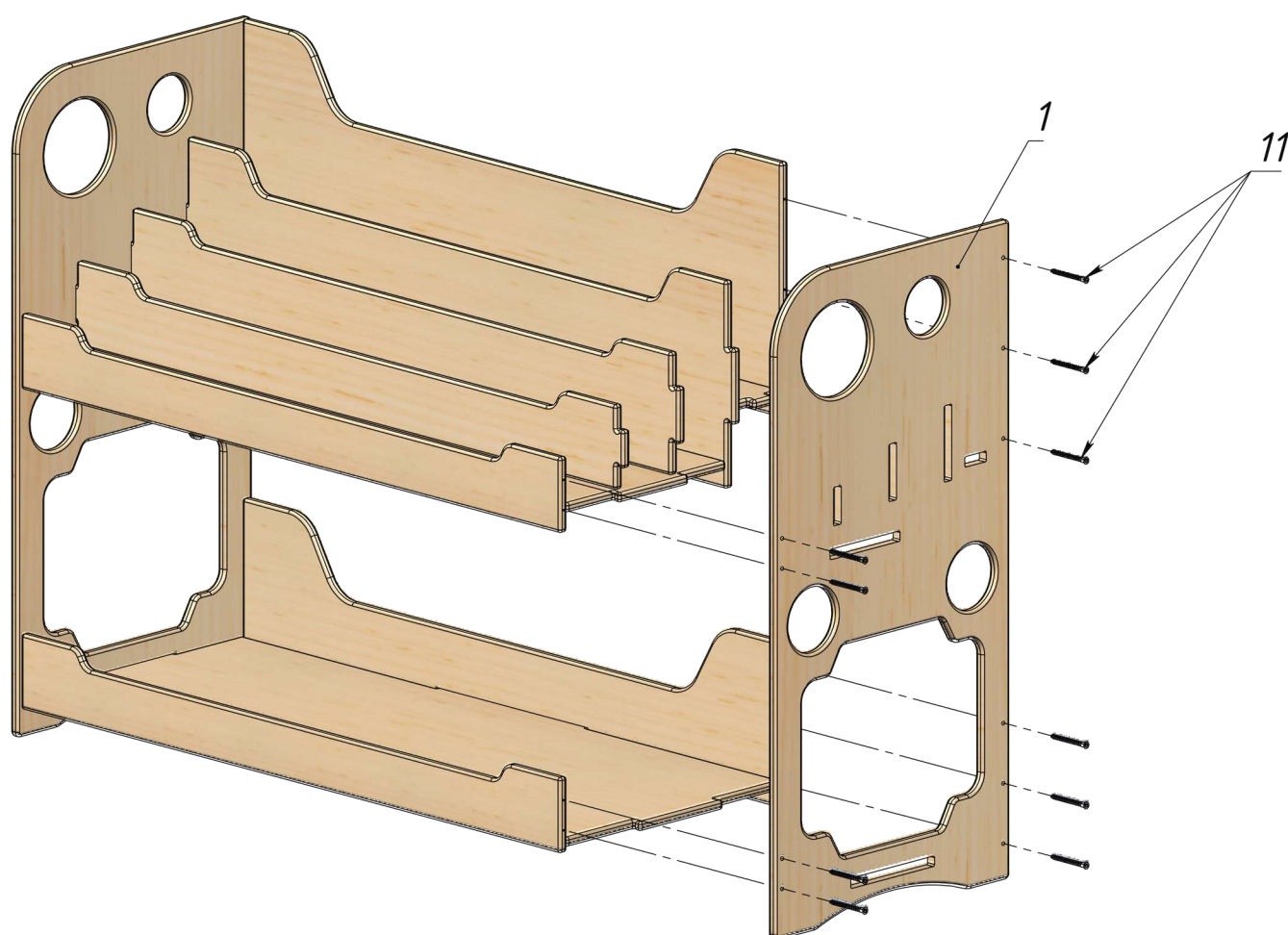


1. Take the Front plank (2), Back upper plank (3) and Back lower plank (10), and connect them to one of the Sidewalls (1) using the Confirmat screws (11) and Hexagon key (12). See the Pic. 1



*Pic.2*

2. Then take the Lower base (4), Front baffle (5), Middle base (6), Back baffle (7), Upper base (8), and Middle baffle (9) and insert them into grooves in the Sidewall (1). See the Pic.2



*Pic.3*

3. Connect another Sidewall (1) to the before assembled construction using the Confirmat screws (11) and Hexagon key (12). See the Pic. 3

**To be used under the direct supervision of an adult only.  
Always be vigilant during children's games**