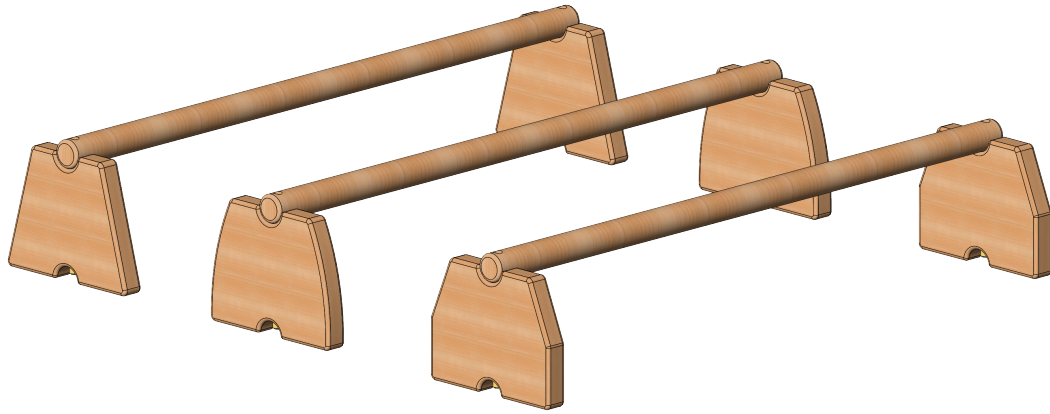
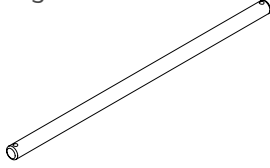
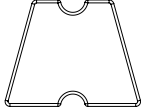
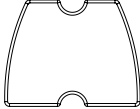
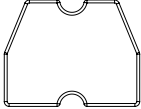
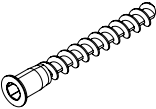
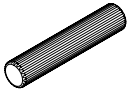
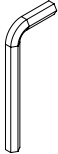
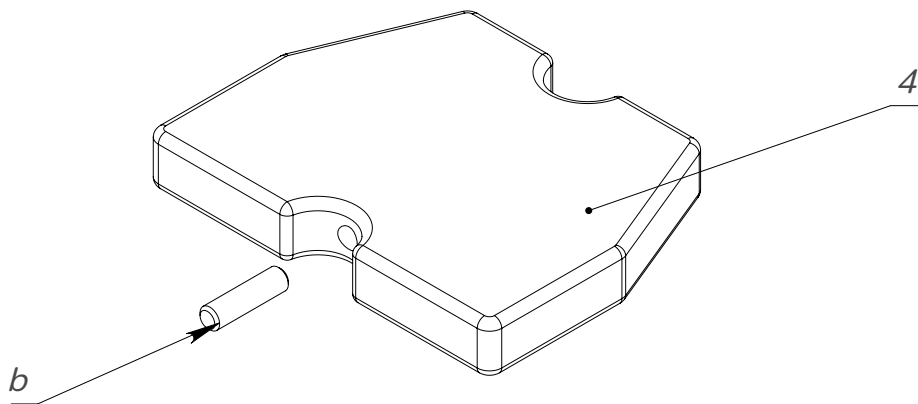


# Balancer nog



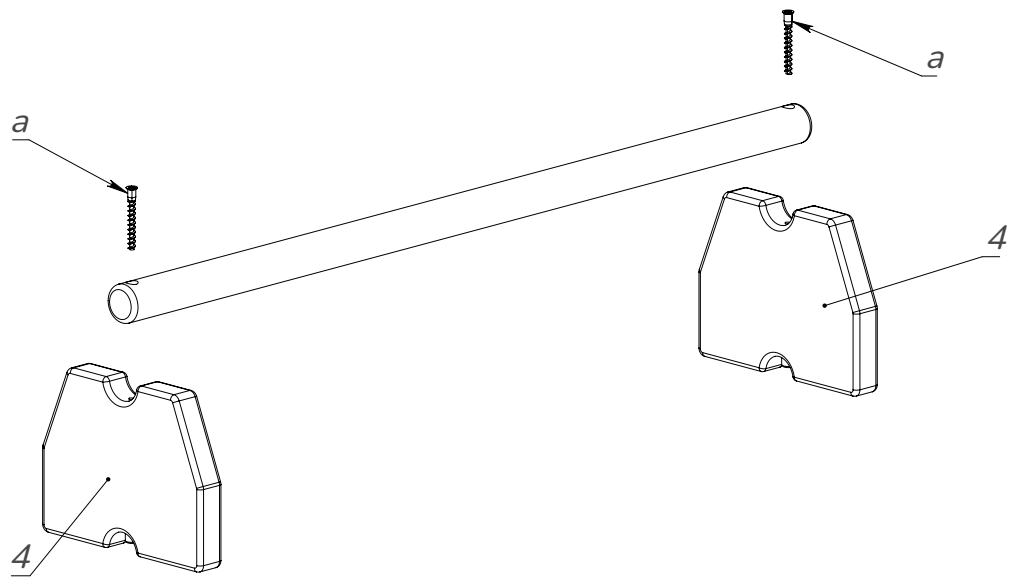
## ASSEMBLY DETAILS

|   |   |  |   |
|---|---|--|---|
| <p>1 - Nog</p>  <p>3 pcs.</p>                   | <p>2 - Stand #1</p>  <p>2 pcs.</p>       | <p>3 - Stand #2</p>  <p>2 pcs.</p>       | <p>4 - Stand #3</p>  <p>2 pcs.</p> |
| <p>a - Confirmat screw 5x40</p>  <p>6 pcs.</p> | <p>b - Wooden dowel</p>  <p>6 pcs.</p> | <p>c - 3 mm Hex Key</p>  <p>1 pc.</p> |   |



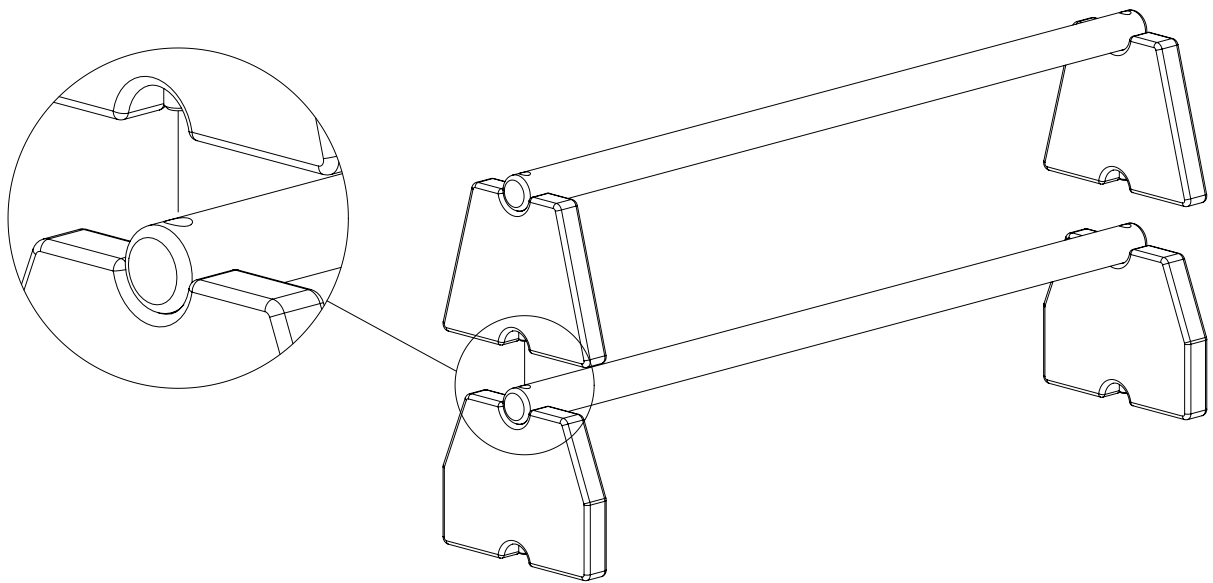
Pic. 1

Take the stand (4) and plug the dowels (b) into the it as shown in the Pic.1. Repeat with other stands (2,3).



Pic. 2

Screw the nog (1) using the confirmat screws (a) and a hex key (c) to both stands (4). Do the same with the other stands (2, 3). See Pic. 2.



Pic. 3

The constructions can be put on top of each other. In this case the wooden dowels located in the stands should fit into the grooves in the nog. See Pic. 3.



Use only for its intended purpose, indoors, under the direct supervision of adults.

Responsibility for any damage incurred by children during play on the furniture rests with the supervising adults.

Always be vigilant during children's play.