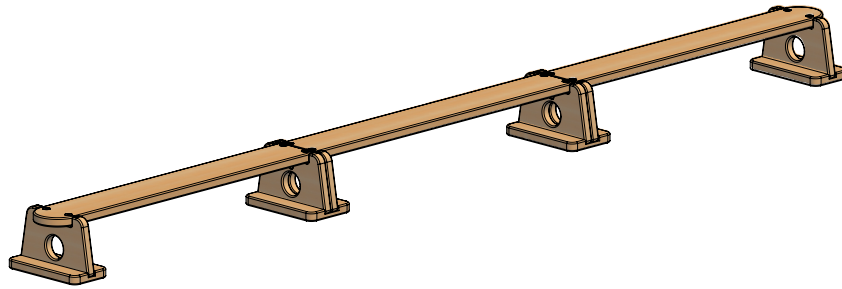
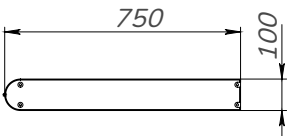
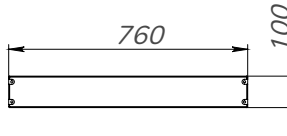
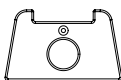
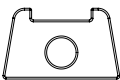
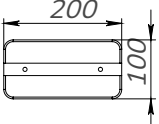
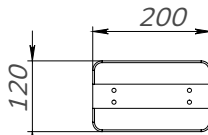


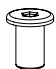
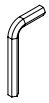
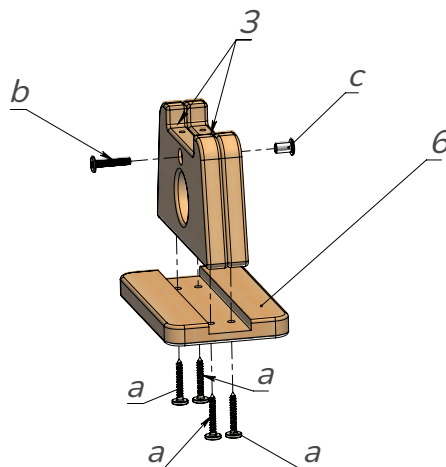


Balancer "Straight"



ASSEMBLY DETAILS

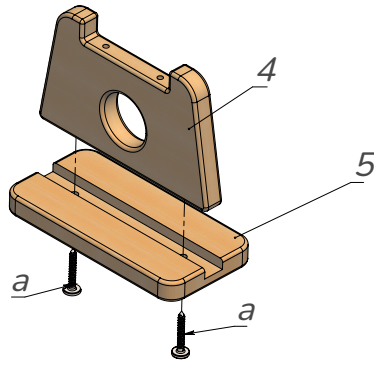
1 - Base planks  2 pcs.	2 - Middle plank  1 pc.	3 - Support stand with a hole  4 pcs.	4 - Support stand without a hole  2 pcs.
5 - Base unit  2 pcs.	6 - Central base  2 pcs.	a - Self-tapping screw 6.3x40  24 pcs.	b - Screw M6x30  2 pcs.
c - Erickson nut M6x15  2 pcs.	d - 4 mm hex key  2 pcs.		



Pic. 1

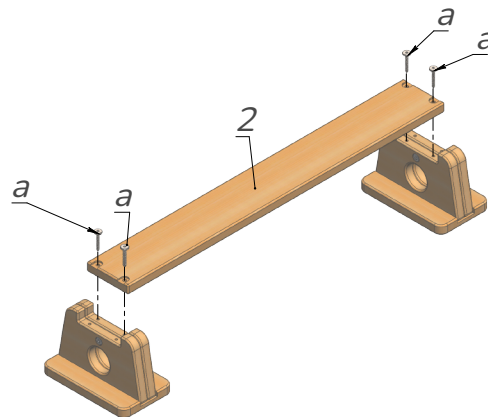
Take the central base (6) and connect the support stand with a hole using the self-tapping screw (a) and a hex key (d). Connect the support stand with a hole (3) using the screw (b), nut (c) and two hex keys (d). See Pic. 1.

Following the steps assemble 2 constructions.



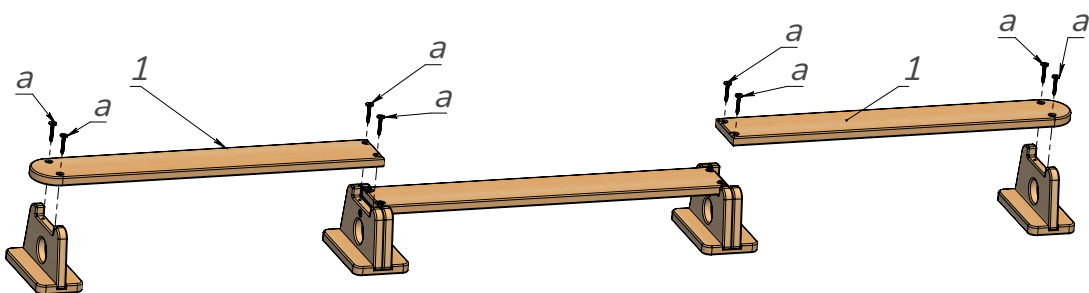
Pic. 2

Take the base unit (5) and connect the support stand without a hole (4) using the self-tapping screws (a) and a hex key (d). Fullfil the same to assemble 2 constructions. See Pic. 2.



Pic. 3

Put the middle plank (2) between two previously gathered supports using the self tapping screws (a). See Pic. 3.



Pic. 4

Connect the previously assembled constructions with the base planks (1) using the self-tapping screws (a). See Pic. 4.



To be used for its intended purpose only and under the direct supervision of an adult!

All the responsibility for children's injuries received during games on the furniture lies on adults watching after them.

Always be vigilant during children's games!