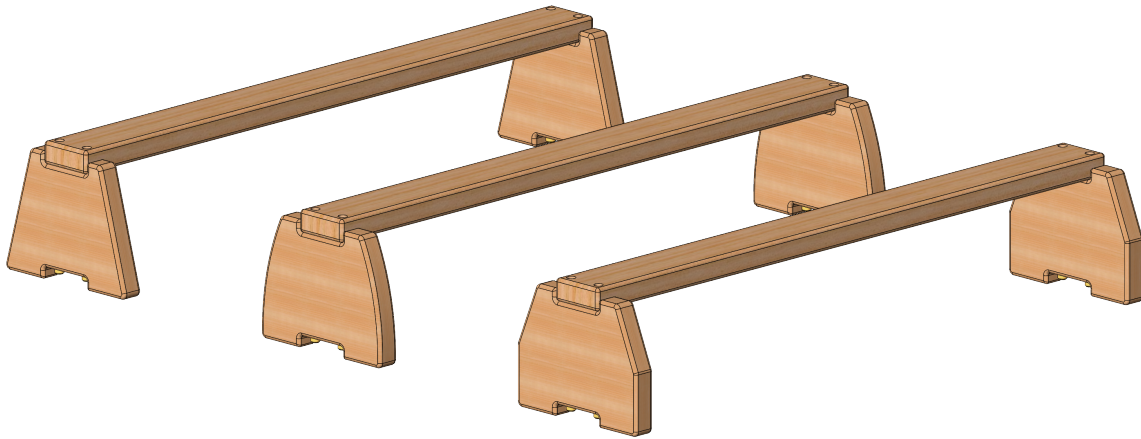
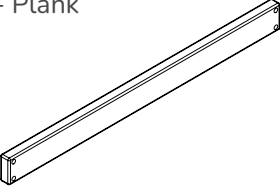
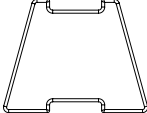
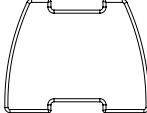
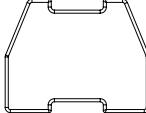
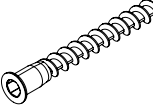
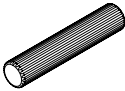

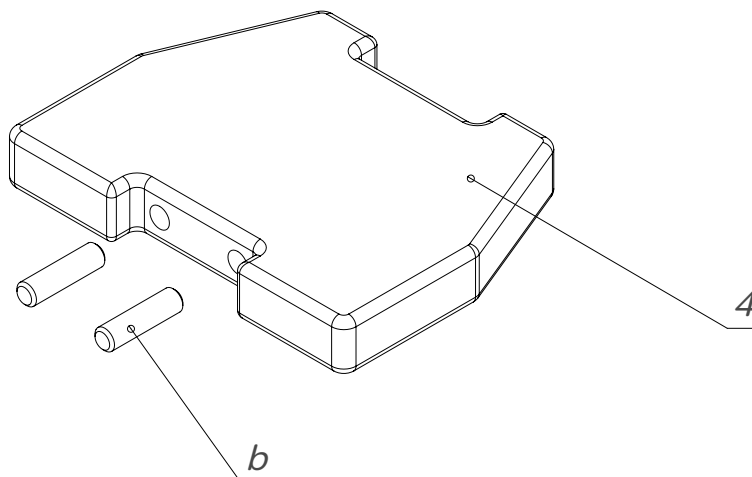


Balance plank



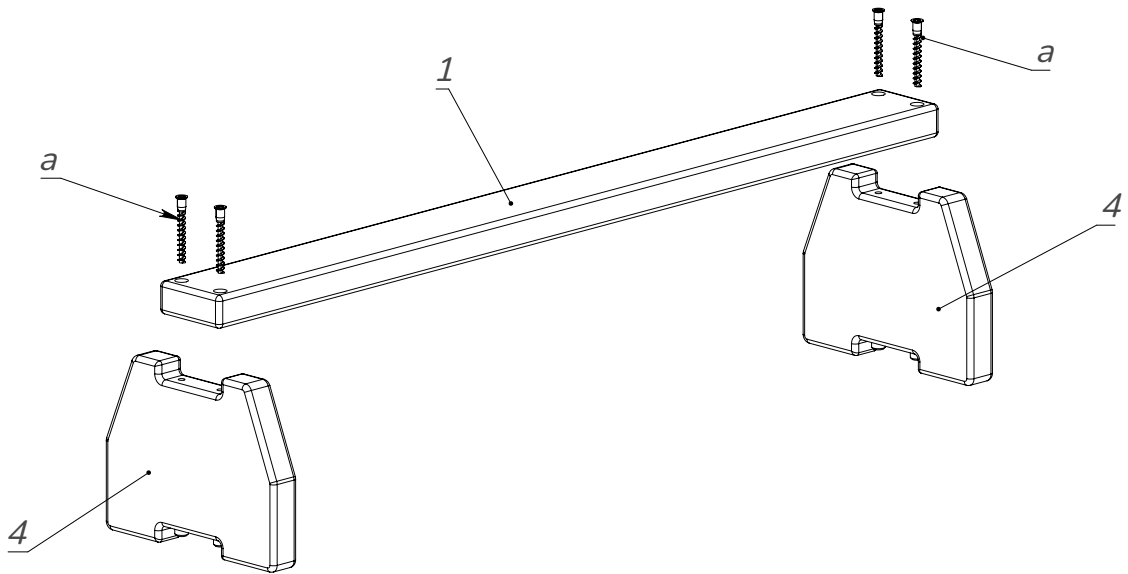
ASSEMBLY DETAILS

<p>1 - Plank</p>  <p>3 pcs.</p>	<p>2 - Stand #1</p>  <p>2 pcs.</p>	<p>3 - Stand #2</p>  <p>2 pcs.</p>	<p>4 - Stand #3</p>  <p>2 pcs.</p>
<p>a - Confirmat screw M5x40</p>  <p>12 pcs.</p>	<p>b - Wooden dowel</p>  <p>12 pcs.</p>	<p>c - 3 mm Hex key</p>  <p>1 pc.</p>	



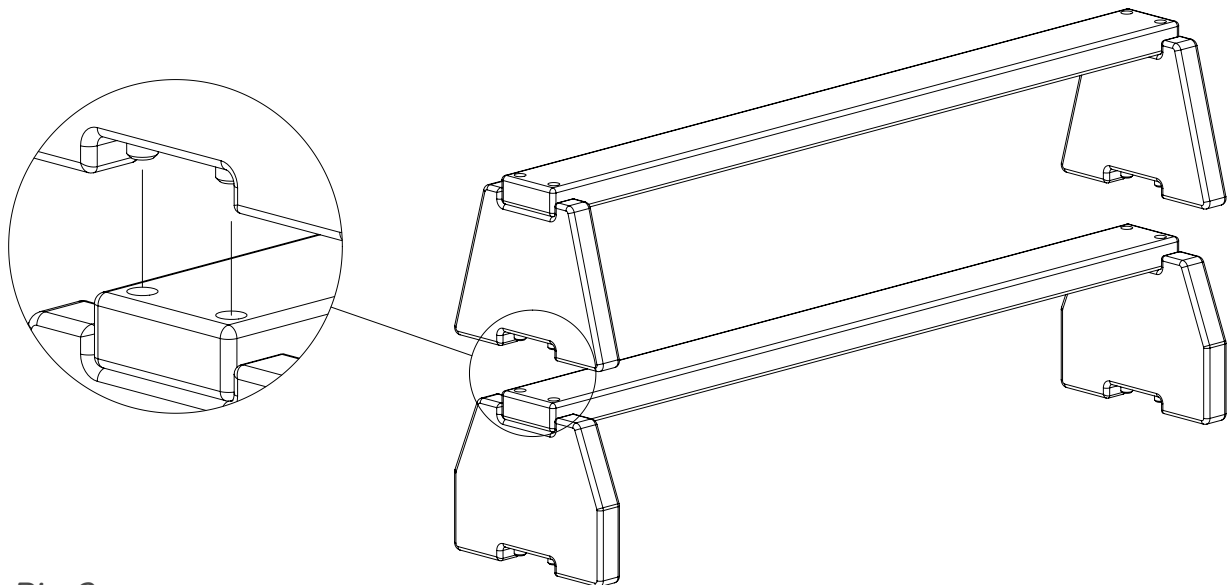
Pic. 1

Plug the dowels (b) into the stand (4).
Do the same with the stands (2) and (3).



Pic. 2

Screw the plank (1) using the confirmat screws (a) to both stands (4).
Do the same with the other stands (2, 3).



Pic. 3

The constructions can be put on top of each other. The dowels should go into plank grooves. See Pic. 3.



Use only for its intended purpose, indoors, under the direct supervision of adults.

Responsibility for any damage incurred by children during play on the furniture rests with the supervising adults.

Always be vigilant during children's play.