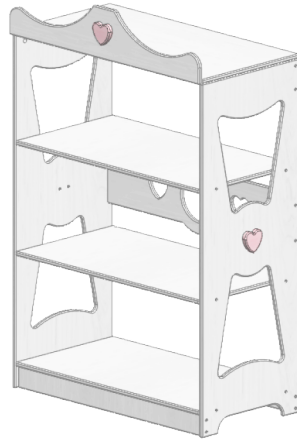
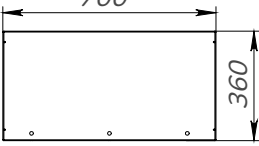
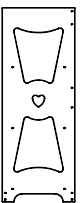
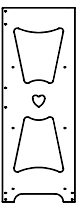




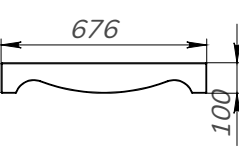

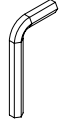


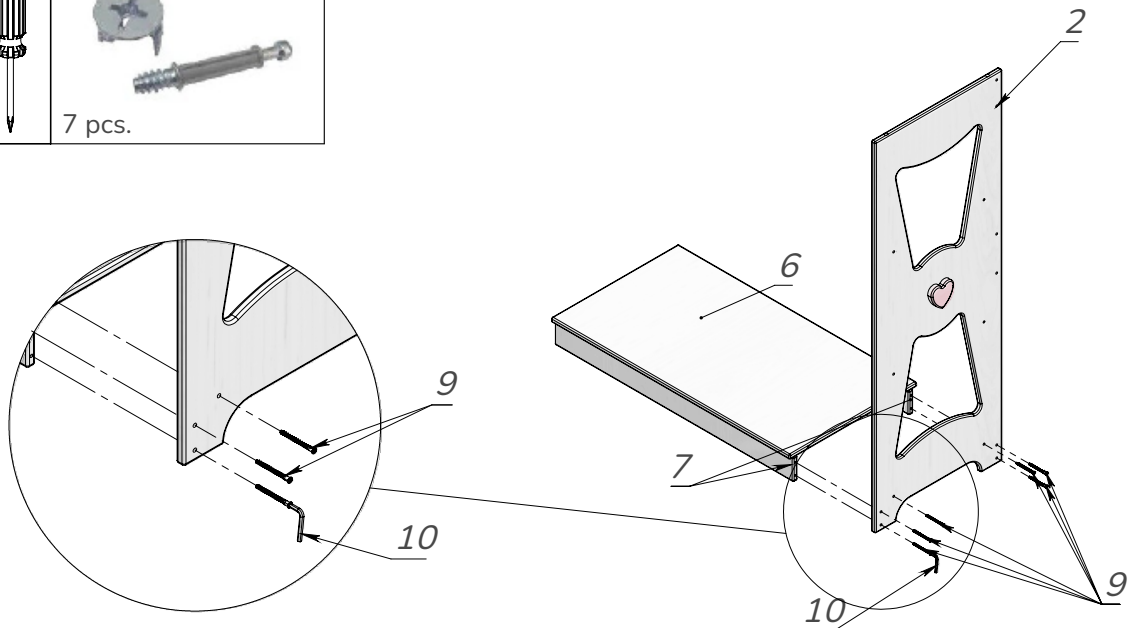


"Angel" Bookcase



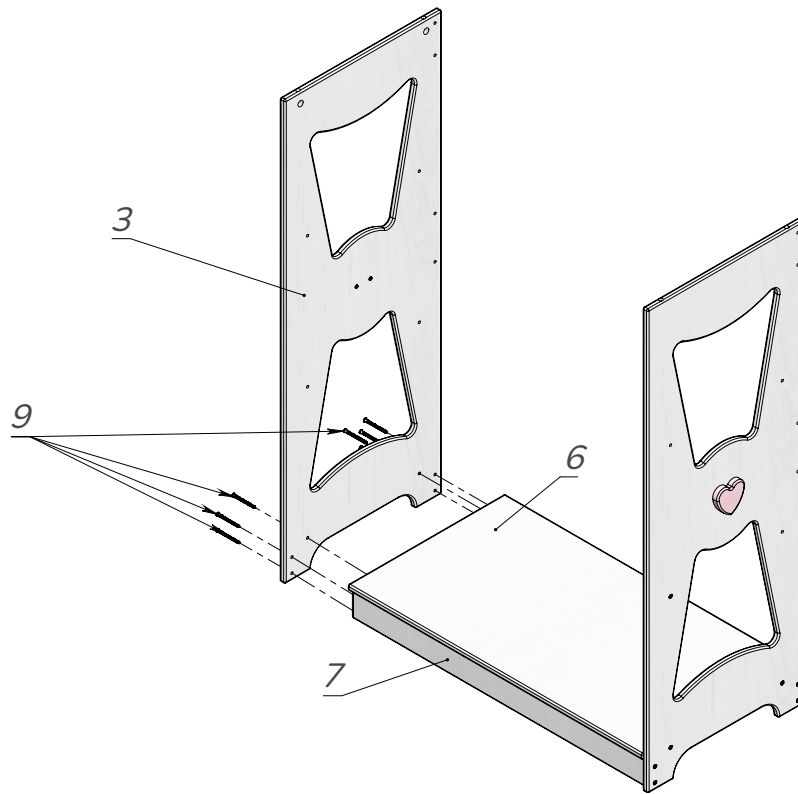
ASSEMBLY DETAILS

| | | | | |
|---|---|---|---|--|
| <p>1 - Upper cover 700 360</p>  <p>1 pc.</p> | <p>2 - Left sidewall</p>  <p>1 pc.</p> | <p>3 - Right sidewall</p>  <p>1 pc.</p> | <p>4 - Middle partition</p>  <p>1 pc.</p> | <p>5 - Decoration plank</p>  <p>1 pc.</p> |
| <p>6 - Shelf 676 360</p>  <p>3 pcs.</p> | <p>7 - Shelf board 676 60</p>  <p>2 pcs.</p> | <p>8 - Upper partition 676 100</p>  <p>1 pc.</p> | <p>9 - Confirmat screw</p>  <p>28 pcs.</p> | <p>10 - 3 mm Hex key</p>  <p>1 pc.</p> |
| <p>11 - Screwdriver</p>  <p>1 pc.</p> | <p>12 - Mini-fixture set</p>  <p>7 pcs.</p> | <p>*eccentric fasteners are pre-installed</p> | | |



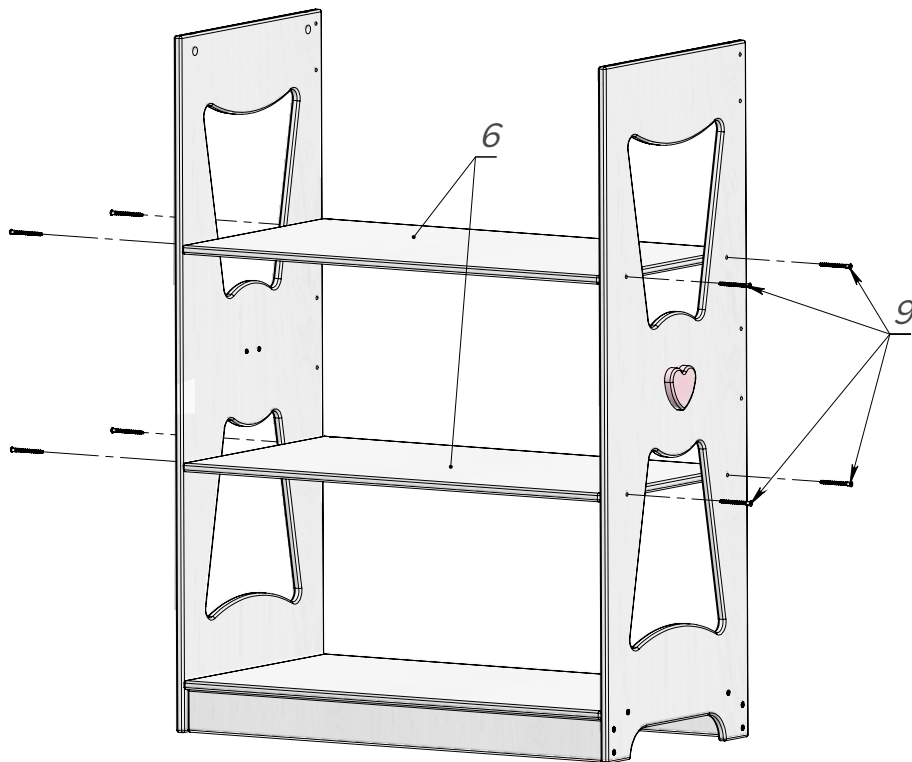
Pic. 1

Take the left sidewall (2) and connect it to the shelves (6) and a shelf board (7) using the confirmation screws (9) and a hex key (10). See Pic.1.



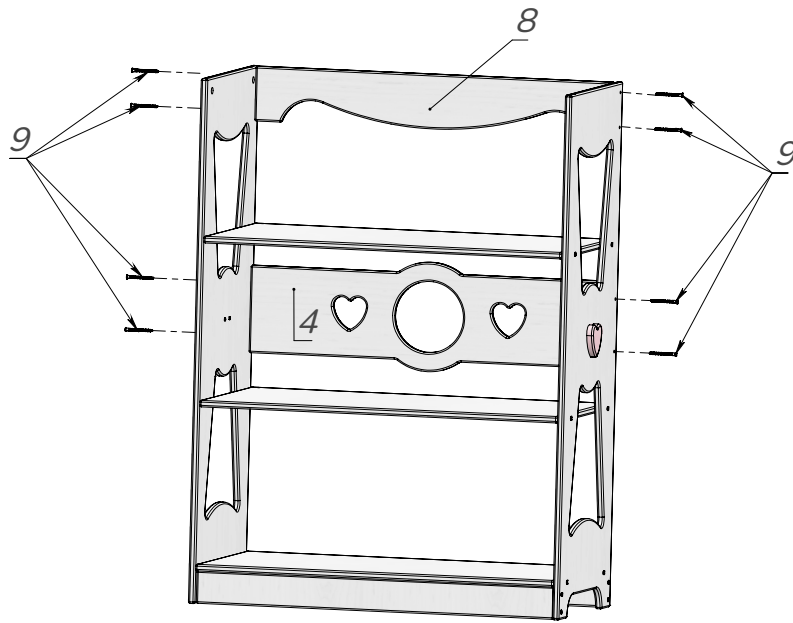
Pic. 2

Attach the right sidewall (3) to the shelves (6) and the shelf boards (7) using the confirmation screws (9). See Pic.2.



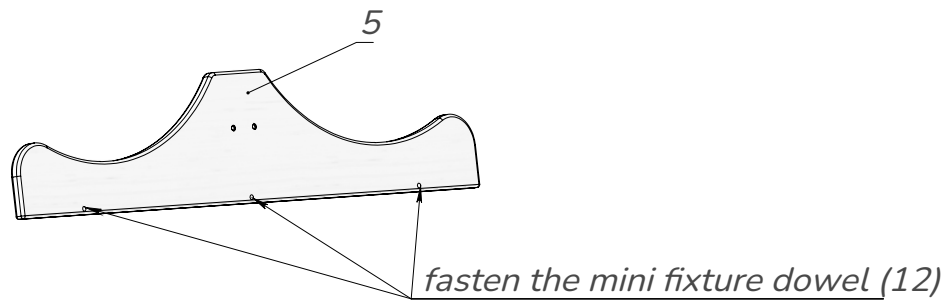
Pic. 3

Connect the shelves (6) to the previously assembled construction using the confirmation screws (9). See Pic.3.



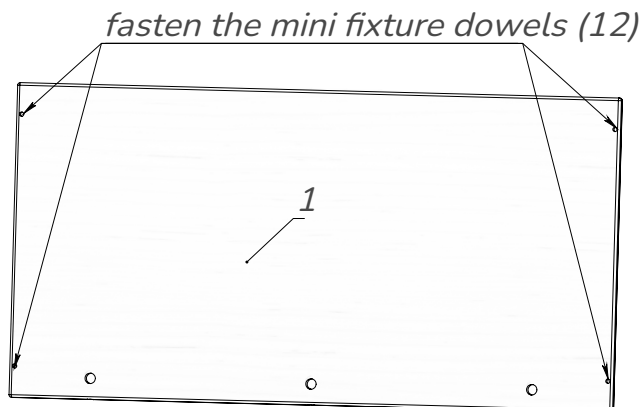
Pic. 4

Take the middle partition (4) and the upper partition (8) and connect them to the left sidewall (2) and the right one (3) using the confirmation screws (9). See Pic.4.



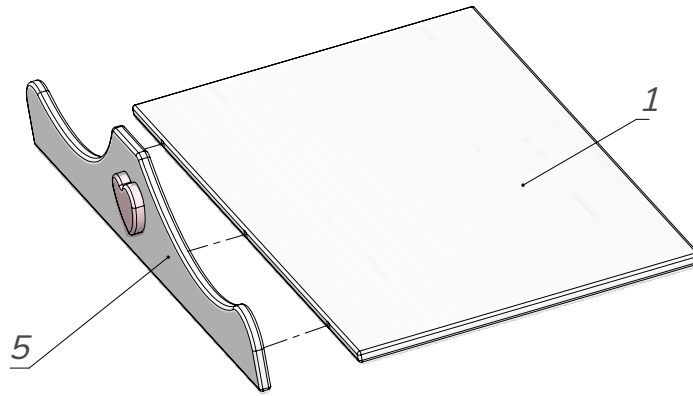
Pic. 5

Screw the mini fixture dowels (12) into the decoration plank (5) using the screwdriver (11). See Pic. 5.



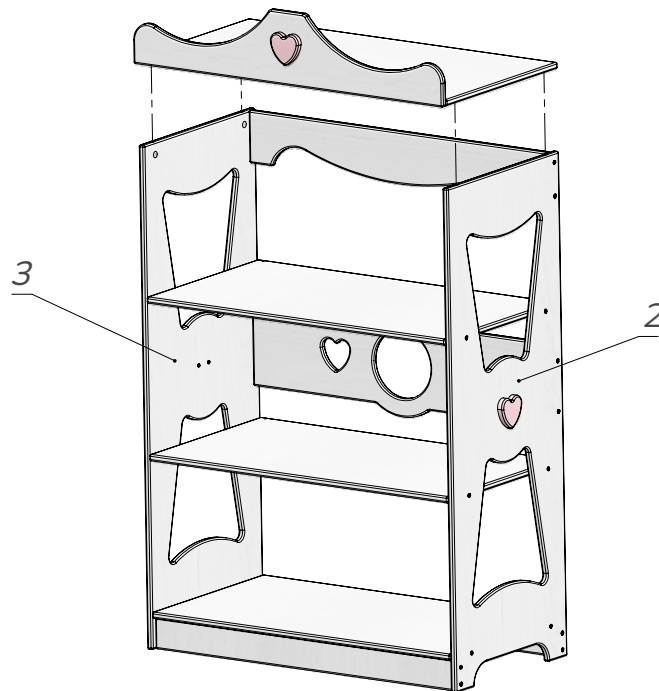
Pic. 6

Fasten the upper cover (1) with mini fixture dowels (12) and a screwdriver (11). See Pic. 6.



Pic. 7

Connect the decoration plank (5) with the upper cover (1) and close the eccentric fasteners (12) on the upper cover (1) clockwise. See Pic. 7.



Pic. 8

Connect the previously assembled parts and close the eccentric fasteners (12) both on the left sidewall (2) and the right one (3) clockwise. See Pic. 8.



To be used for its intended purpose only and under the direct supervision of an adult!
All the responsibility for children's injuries received during games on the furniture lies on adults watching after them.

Always be vigilant during children's games!